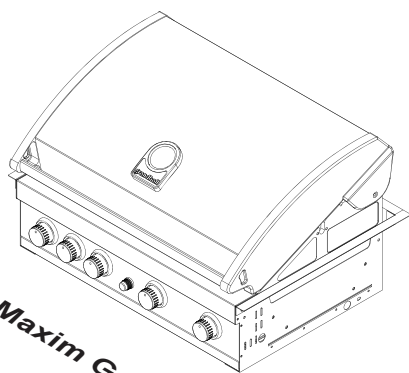


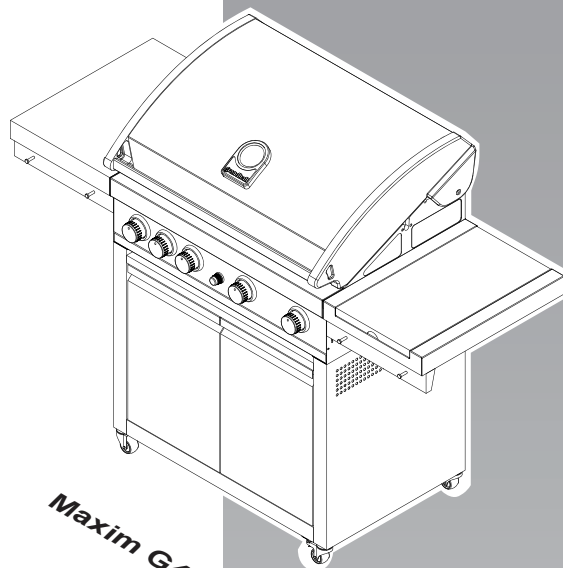
CE 2575-21

**grandhall**<sup>®</sup>  
australian bbq style

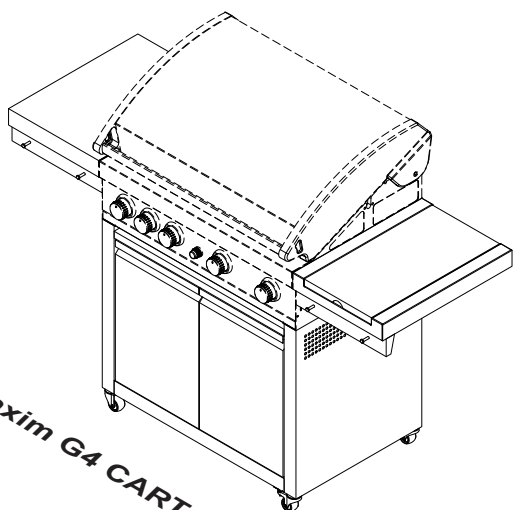
# gas barbecue



Maxim G4IB



Maxim G4SB-V



Maxim G4 CART CT4S-V

- Ⓘ Ⓒ Assembly instructions
- Ⓒ Ⓕ Instructions d'assemblage
- Ⓐ Ⓒ Ⓓ Montageanweisungen
- Ⓒ Ⓘ Istruzioni per il montaggio
- Ⓑ Ⓓ Montage-instructies
- Ⓒ Montering
- Ⓕ Kokoamisohjeet
- Ⓒ Instrucciones de armado
- Ⓐ Instruções para Montagem
- Ⓓ Monteringsvejledning
- Ⓓ Montering
- Ⓕ Upute za montažu
- Ⓒ Navodila za montažo

**PART LIST Maxim G4IB**

<i>Ref</i>	<i>Description</i>	<i>Part No.</i>	<i>Qty</i>
1	Lid Assembly	S0209-01Z-SPP	1
2	Temperature Gauge	S0214-26	1
3	Name plate	S0146-227	1
4	Lid Rubber Pad, Front	S0128-35	2
5	Lid Rubber Pad, Rear	S0146-158	2
7	Bowl Panel, Left	S0146-31C-SPP	1
8	Bowl Panel, Right	S0146-30C-SPP	1
9	Bowl Grease Shield	S0165-34-CR06	2
11	Heat Shield- Rear Burner	S0147-107	1
12	Cooking Grid	S0146-57C	3
13	Bowl Wind Shield	S0147-37B-SPP07	1
14	Gas Collector Box with Electrode	S0146-81	4
15	Electric Wire Set	S0147-59B	1Set
16	Main Burner	S0146-210-S30410	4
17	Bowl Panel, Front	S0165-17	1
18	Bowl Panel, Rear	S0165-16	1
19	Upper control Panel	S0147-35-S43006	1
20	Control Panel	S0147-36B2-CR07	1
21	Gas Valve Heat Shield	S0147-39-02-ZN10	1
22	Main Valve-without jet	S0209-08	4
23	Manifold	S0147-61-02B	1
24	Gas Valve Heat Shield Bracket	S0146-40-ZN12	2
25	Control knob - main burner	S0164-20	4
26	Knob Seat	S0174-12	5
27	Control knob - Back burner	S0165-10	1
28	Electric Ignitor	M0126-65	1
29	Grease Tray Handle	S0147-42	1
31	Grease Tray	S0206-09-ZN06	1
32	Hotplate	S0146-183	1
34	Electrode- Rear Burner	S0003-54	1
35	Warming Rack	S0147-56B	1
36	Crossfire box	S0146-204Z	3
37	Bowl support bracket- Left	S0147-102B	1
38	Bowl support bracket- Right	S0147-102A	1
39	Bowl support bracket- Rear	S0147-103	1
40	Flame Tamer	S0146-50	3
45	Searing Valve Orifice	S0146-228	1
48	Adaptor-1/4 LH inlet	S0146-197	1
50	Valve - Rear Burner- without jet	S0146-228	1
51	Rear Burner Body Set	S0089-55	1
52	Wind Shield - Rear Burner	M0126-56-S430	1
53	Rear Burner hose	S0146-229	1
54	Adaptor-1/4 LH inlet	S0118-78	1
	Hardware Pack	P06027003A	1

**PART LIST FOR CARMEL G4IB**

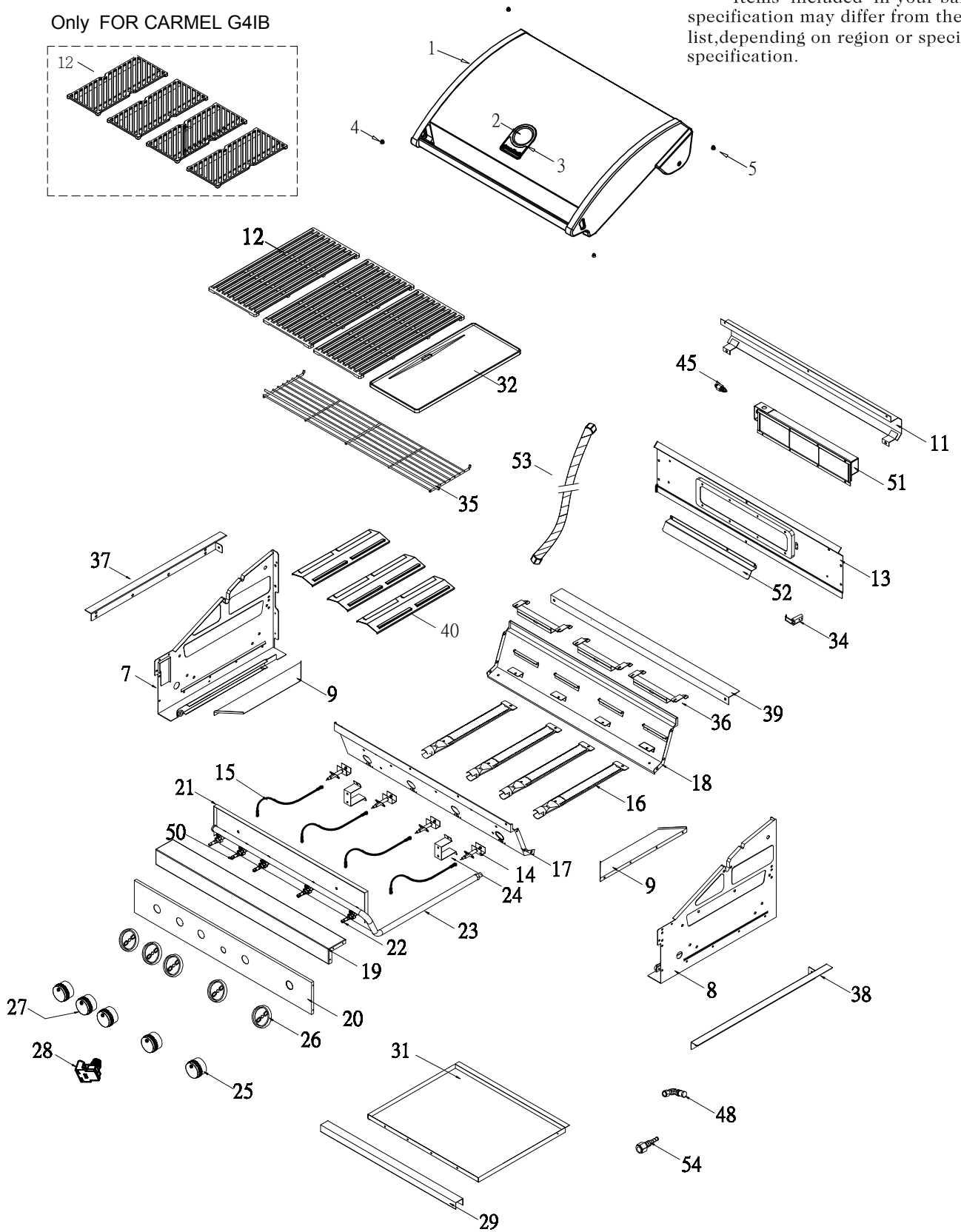
12	Cooking Grid	S0146-157B	4
----	--------------	------------	---

**Maxim G4IB Model**

This diagram is provided to assist you identify parts if replacement is necessary. Contact your place of purchase or the manufacturer to inquire about parts, availability and service.

Items included in your barbecue specification may differ from the parts list, depending on region or specific dealer specification.

Only FOR CARMEL G4IB



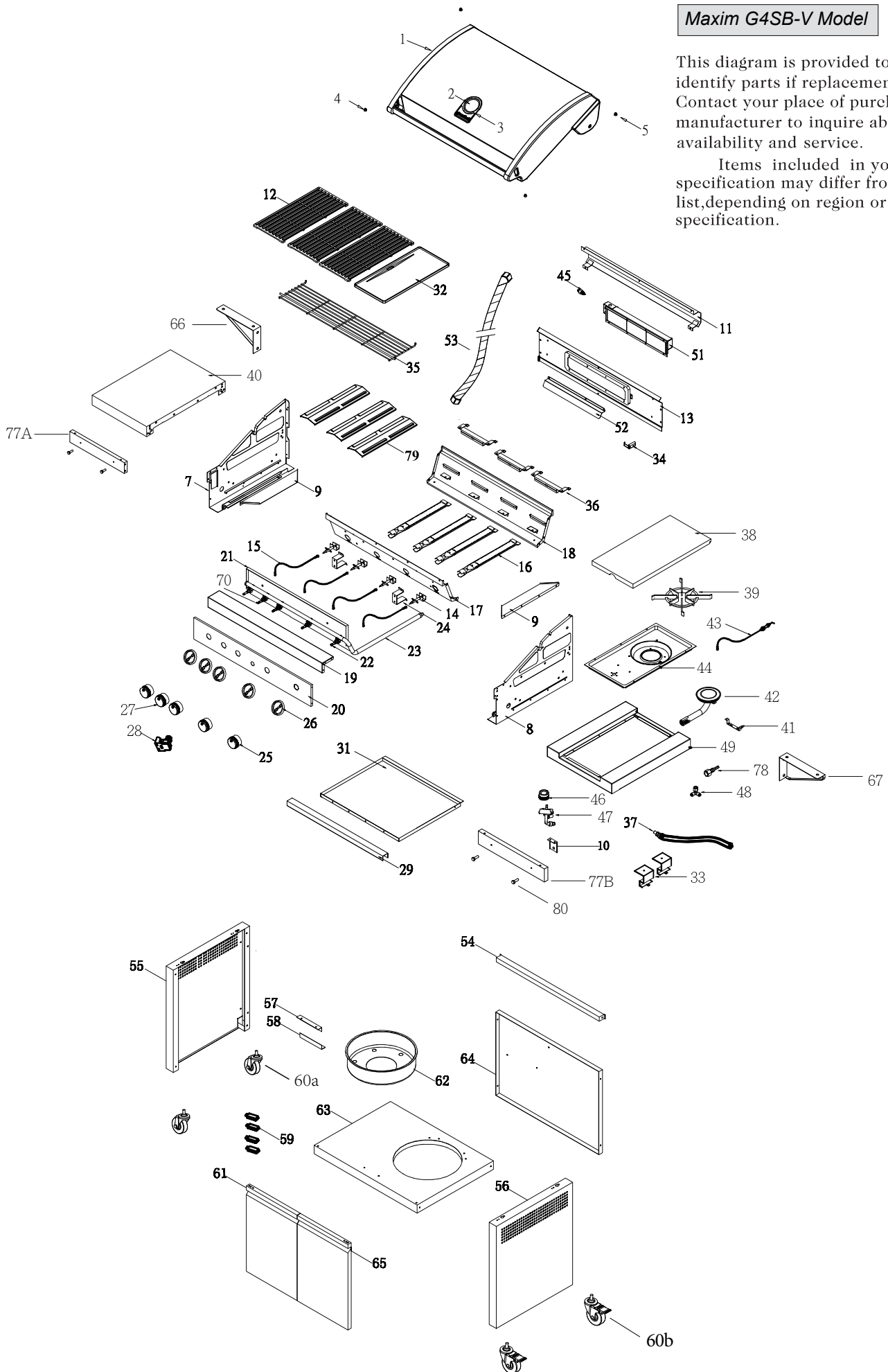
<b>PART LIST Maxim G4SB-V</b>
-------------------------------

Ref	Description	Part No.	Qty	Ref	Description	Part No.	Qty
1	Lid Assembly	S0147-29Z	1	39	Side Shelf Pot Support	S0153-03	1
2	Temperature Gauge	S0209-16	1	40	Side Shelf, Left	S0200-01-S430	1
3	Name plate	S0146-227	1	41	Side Burner Mounting Brakcet	S0167-60	1
4	Lid Rubber Pad, Front	S0128-35	2	42	Side Burner	S0210-03	1
5	Lid Rubber Pad, Rear	S0202-18	2	43	Electrode- Side Burner	S0205-42	1
7	Bowl Panel, Left	S0146-31C-SPP	1	44	Side Shelf Body	S0149-22-SPP	1
8	Bowl Panel, Right	S0146-30C-SPP	1	45	Rear Burner Valve Orifice	S0146-228	1
9	Bowl Grease Shield	S0165-34-CR	2	46	Control Knob - side burner	S0150-18	1
10	Burner Bracket-Side Burner	S0149-46-CR	1	47	Valve- Side Burner	S0210-02	1
11	Heat Shield- Rear Burner	S0147-107	1	48	Adaptor-1/4 LH inlet	S0165-09	1
12	Cooking Grid	S0146-57C	3	49	Side Shelf Trim Plate	S0200-02-S430	1
13	Bowl Wind Shield	S0147-37B-SPP	1	51	Rear Burner Body Set	S00089-55	1
14	Gas Collector Box with Electrode	S0146-81	4	52	Wind Shield - Rear Burner	M0126-56-S430	1
15	Electric Wire Set	S0147-59	1Set	53	Rear Burner hose	S0146-229	1
16	Main Burner	S0146-210-S304	3	54	Cart Bracket, Front	S0147-06-CR	1
17	Bowl Panel, Front	S0165-17	1	55	Trolley Panel, Left	S0155-43	1
18	Bowl Panel, Rear	S0165-16	1	56	Trolley Panel, Right	S0155-44	1
19	Upper control Panel	S0147-35-S430	1	57	Door guide - upper	S0147-10B-CR	1
20	Control Panel	S0147-36B2-CR	1	58	Door guide - lower	S0147-10-CR	1
21	Gas Valve Heat Shield	S0146-39Z	1	59	Magnet seat	S0003-05E	4
22	Main Valve-without jet	S0209-08	4	60 a	2"caster (without Brake)	S0146-218	2
23	Manifold	S0147-61-02B	1	60 b	2"caster ( with Brake)	S0146-217	2
24	Gas Valve Heat Shield Bracket	S0146-40-ZN	2	61	Door-Left	S0147-07AZ	1
25	Control knob - main burner	S0164-20	4	62	Gas cylinder housing	S0118-61A-CR	1
26	Knob Seat	S0174-12	5	63	Trolley Bottom Panel	S0147-01E-CR	1
27	Control knob - Back burner	S0174-12	1	64	Trolley Panel, Rear	S0147-04B-CR	1
28	Electric Ignitor	M0126-65	1	65	Door-Right	S0147-07BZ	1
29	Grease Tray Handle	S0147-42	1	66	Strengthen bracket -left	S0200-03	1
31	Grease Tray	S0206-09-CR06	1	67	Strengthen bracket- right	S0200-04	1
32	Hotplate	S0146-183	1	70	Rear Burner Heat Shield	S0146-228	1
33	Side burner hose bracket	S0146-207	2	77A	Front decoration panel-Left	S0204-47-CR	1
34	Electrode- Rear Burner	S0003-56	1	77A	Front decoration panel-Right	S0205-48-CR	1
35	Warming Rack	S0147-56B	1	78	Universal Hose Bar -1/4 LH inlet	S0118-78	1
36	Crossfire box	S0148-203	3	79	Flame Tamer	S0146-50	3
37	Side Burner Hose	S0146-226	1	80	Tool hook	S0172 - 45	4
38	Side Shelf Lid	S0149-21-S430	1		Hardware Pack	KHWPO027	1

**Maxim G4SB-V Model**

This diagram is provided to assist you identify parts if replacement is necessary. Contact your place of purchase or the manufacturer to inquire about parts, availability and service.

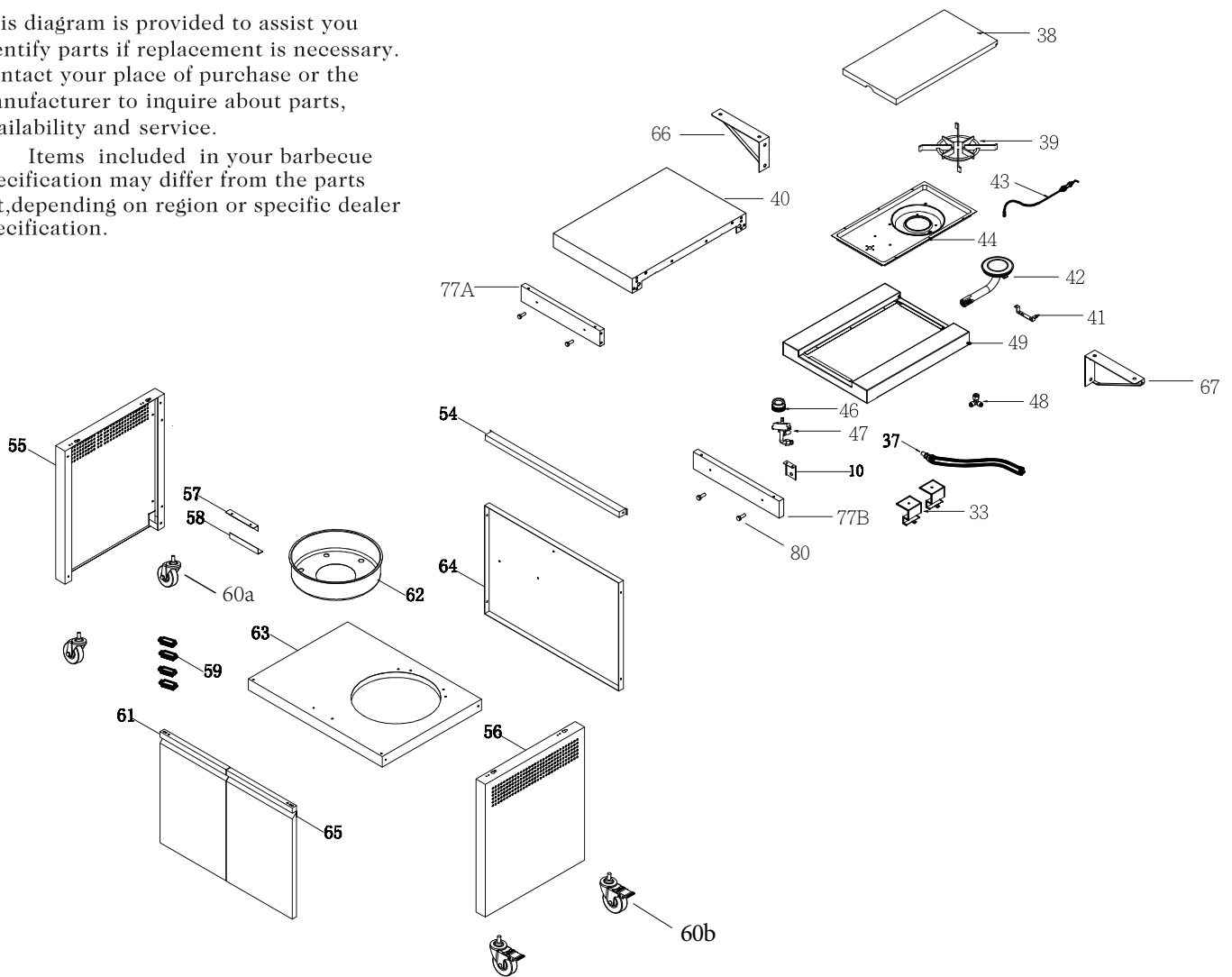
Items included in your barbecue specification may differ from the parts list, depending on region or specific dealer specification.



### Maxim G4 CART CT4S-V Model

This diagram is provided to assist you identify parts if replacement is necessary. Contact your place of purchase or the manufacturer to inquire about parts, availability and service.

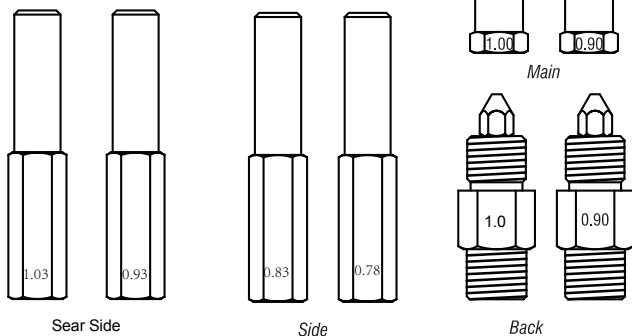
Items included in your barbecue specification may differ from the parts list, depending on region or specific dealer specification.



### PART LIST Maxim G4 CART CT4S-V

Ref	Description	Part No.	Qty	Ref	Description	Part No.	Qty
10	Burner Bracket-Side Burner	S0149-46-CR	1	56	Trolley Panel, Right	S0155-44	1
33	Side burner hose	S0146-207	2	57	Door guide - upper	S0147-10B-CR	1
37	Quick connect with hose, male	S0146-226	1	58	Door guide - lower	S0147-10-CR	1
38	Side Shelf Lid	S0208-06	1	59	Magnet seat	S0003-05E	4
39	Side Shelf Pot Support	S0153-03	1	60a	2"caster (without Brake)	S0146-218	2
40	Side Shelf, Left	S0200-01-S430	1	60b	2"caster ( with Brake)	S0146-217	2
41	Side Burner Mounting Brakcet	S0167-60	1	61	Door-Left	S0147-07AZ	1
42	Side Burner	S0210-03	1	62	Gas cylinder housing	S0118-61A-CR	1
43	Electrode- Side Burner	S0205-42	1	63	Trolley Bottom Panel	S0147-01E-CR	1
44	Side Shelf Body	S0149-22-SPP	1	64	Trolley Panel, Rear	S0147-04B-CR	1
46	Control Knob - side burner	S0150-18	1	65	Door-Right	S0147-07BZ	1
47	Valve- Side Burner	S0210-02	1	66	Strengthen bracket -left	S0200-03	1
48	Adaptor-1/4 LH inlet	S0165-09	1	67	Strengthen bracket -right	S0200-04	1
49	Side Shelf Trim Plate	S0200-02-S430	1	77A	Front decoration panel-Left	S0204-47-CR	1
54	Cart Bracket, Front	S0147-06-CR	1	77B	Front decoration panel-Right	S0205-48-CR	1
55	Trolley Panel, Left	S0155-43	1	80	Tool hook	S0172 - 45	4
					Hardware Pack	KHWP0033	1

## INJECTOR

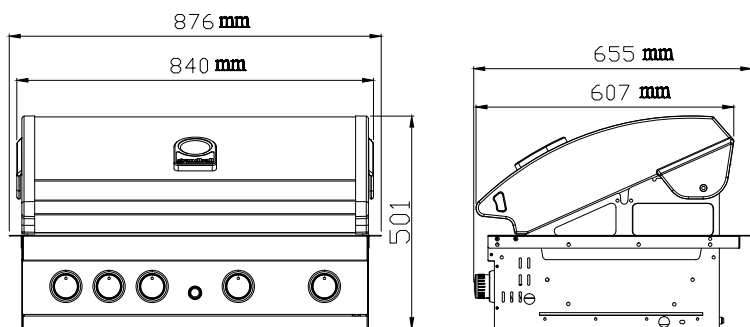


•Main	1.00 mm	- I 3+ (28-30/37)
	0.90 mm	- I 3B/P (50)
•Side Side	0.83 mm	- I 3+ (28-30/37)
	0.78 mm	- I 3B/P (50)
•Back	1.0 mm	- I 3+ (28-30/37)
	0.9 mm	- I 3B/P (50)
•Sear Side	1.03 mm	- I 3+ (28-30/37)
	0.93 mm	- I 3B/P (50)

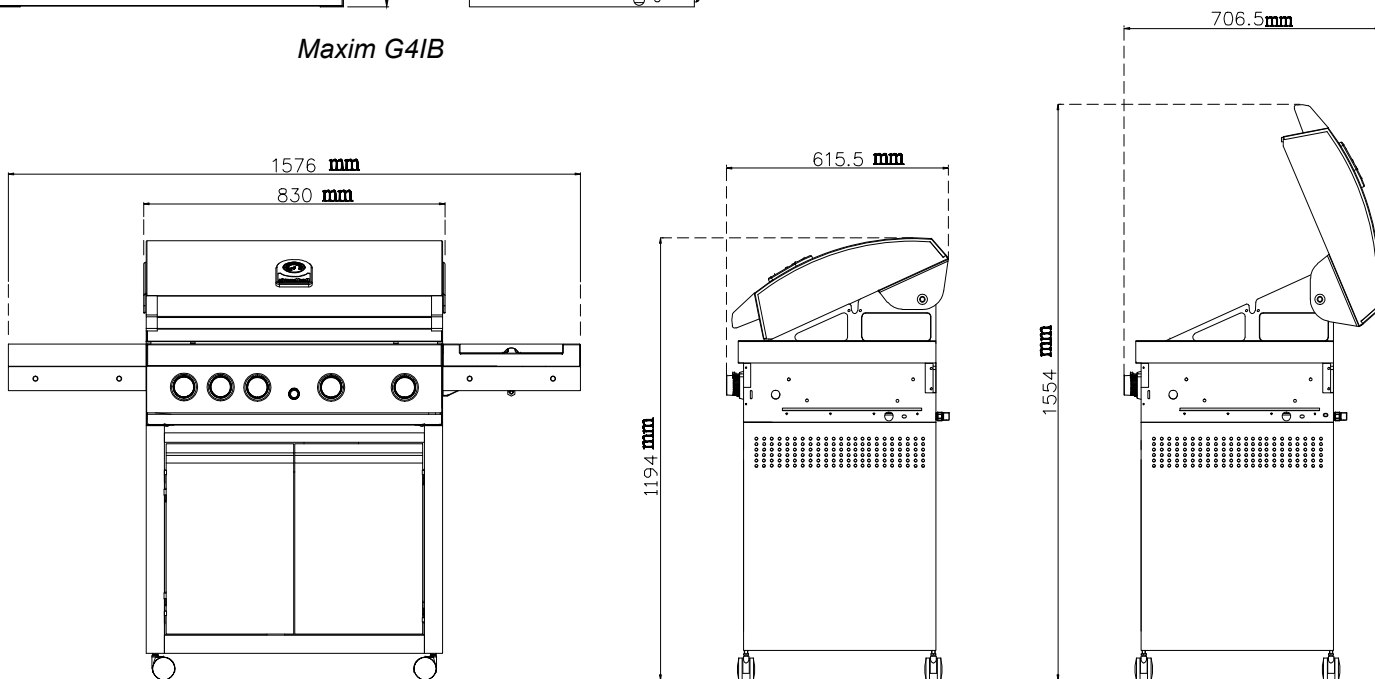
## INPUT

•Main	4 burner	17.2 kW	- 1249 grams / h
•Side		3.3 kW	- 239 grams / h
•Back		4.3 kW	- 312 grams / h
•Sear		4.6 kW	- 334 grams / h

## DIMENSIONS



Maxim G4IB

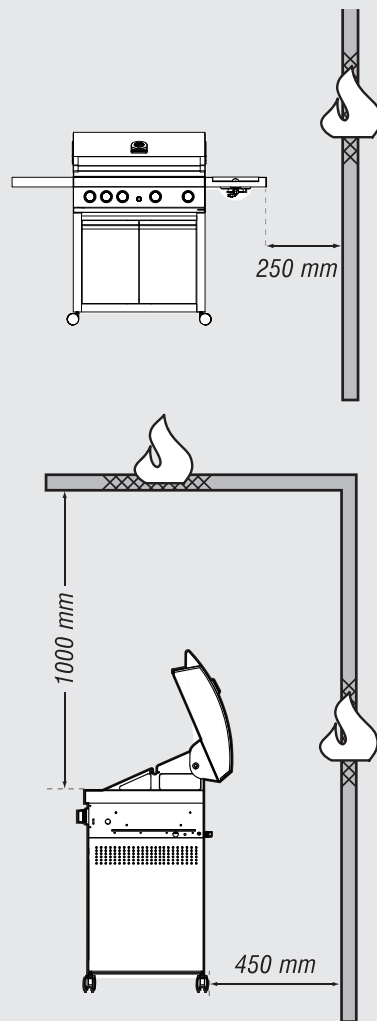


Maxim G4SB-V



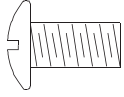
## WARNINGS INFORMATION

- MINIMUM CLEARANCES FROM COMBUSTIBLE MATERIALS MUST BE:  
 REAR - 450 mm  
 SIDES - 250 mm  
 TOP - 1000 mm

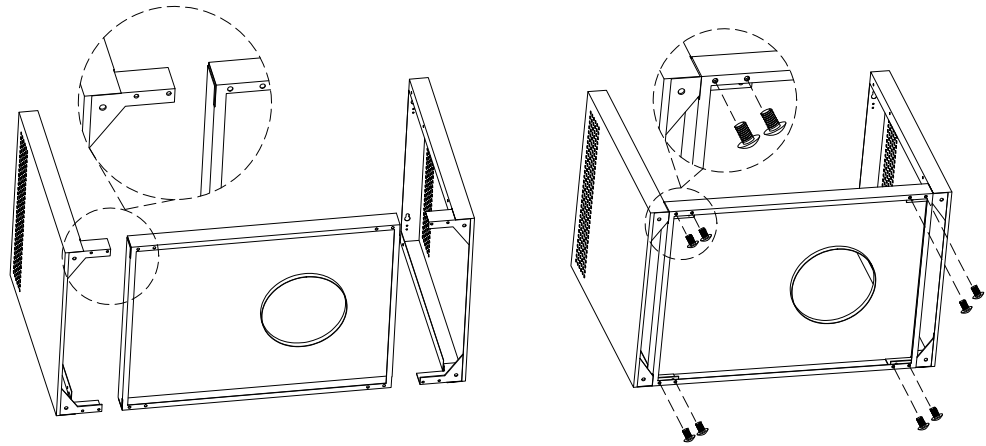


**ASSEMBLY - Maxim G4SB-V**

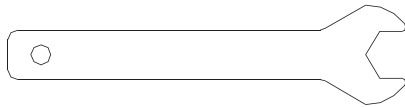
**1. Install Trolley Side Panels onto Trolley Bottom Shelf**



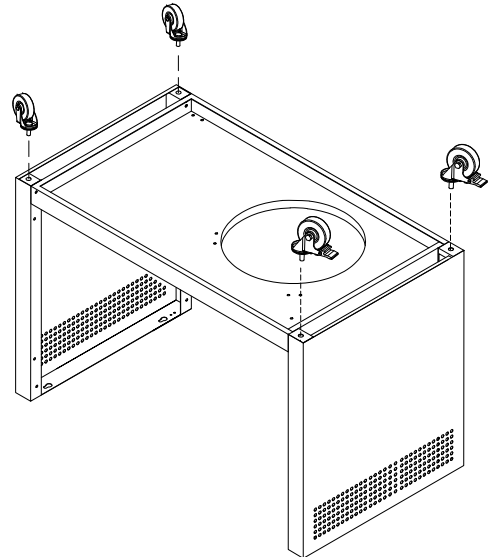
Phillips Head Screw 1/4"x1/2"  
Qty.4



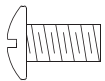
**2. Install Casters**



Spanner  
Qty.1



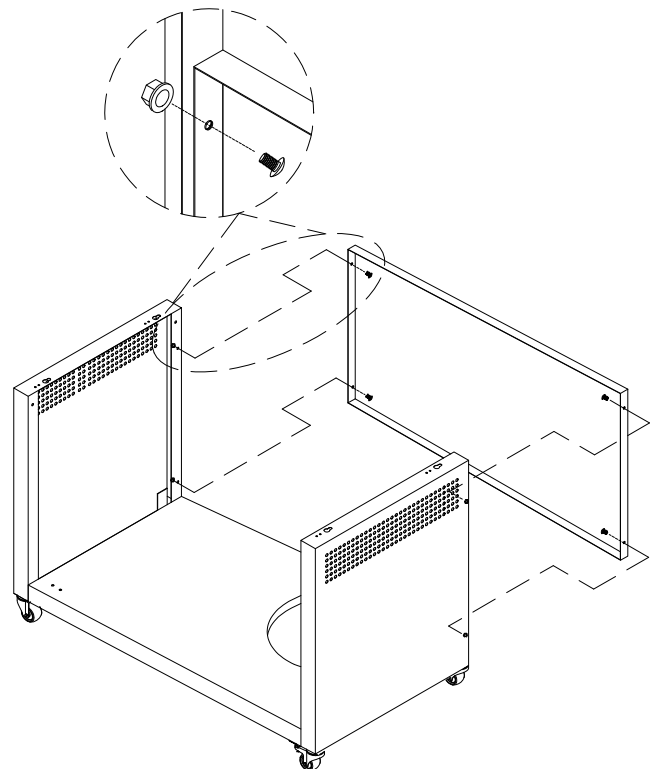
**3. Install Trolley Rear Panel**



Phillips Head Screw 3/16"x 3/8"  
Qty. 4

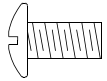


Flange Nut 3/16"  
Qty.4





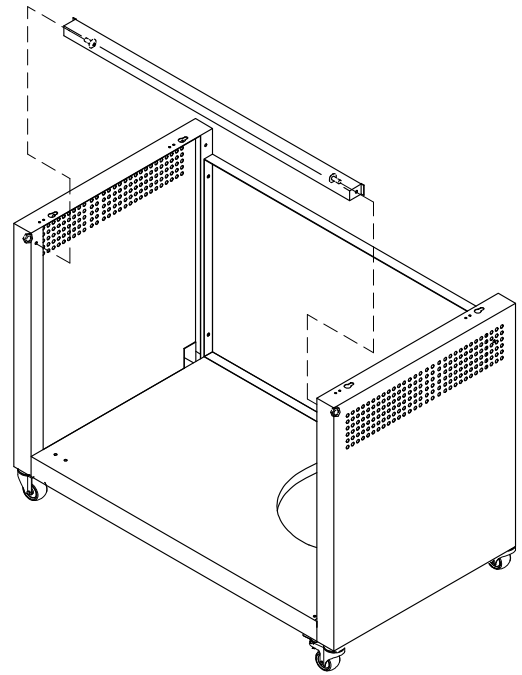
4. Install Door Bracket



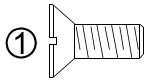
Phillips Head Screw 3/16" x 3/8"  
Qty.2



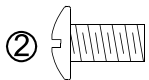
Flange Nut 3/16"  
Qty.2



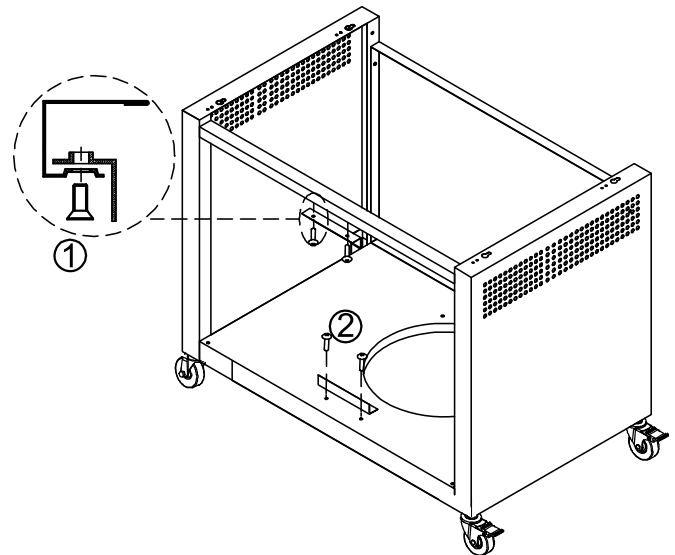
5. Install Door Stop Plate



Countersunk Flat Head Screw 3/16" x 3/8"  
Qty.2

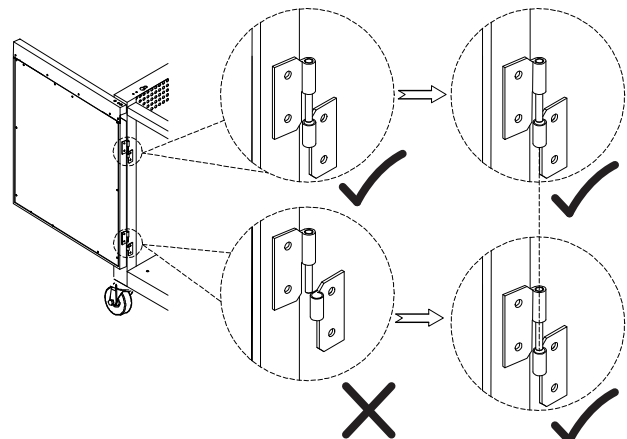
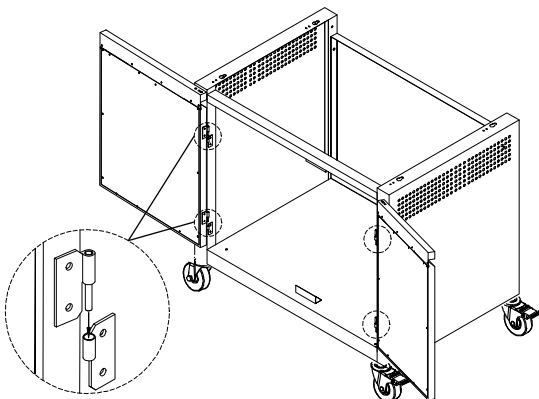


Phillips Head Screw 3/16" x 3/8"  
Qty.2

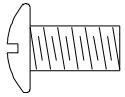


6. Install Door

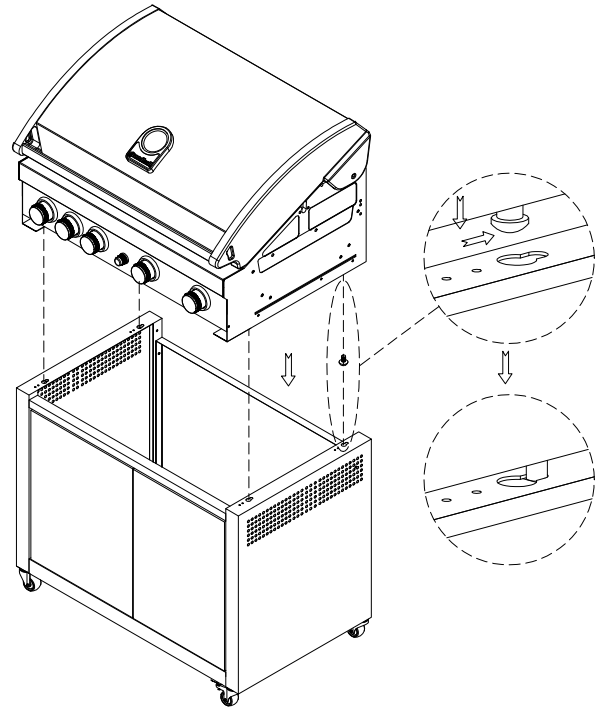
Note: To properly install the door, please ensure  
a): The hinge is in position  
b): The door is align with the hinge for proper fitting



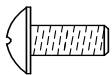
7. Install The Barbecue head to the trolley
- Note: Installation requires two persons Remove all componets from the barbecue head.
  - Partially install the screws to the underside of the barbecue
  - Locate the screw head into the keyholes on the top face of the trolley side panels,slide back to lock into position,tighten screws.



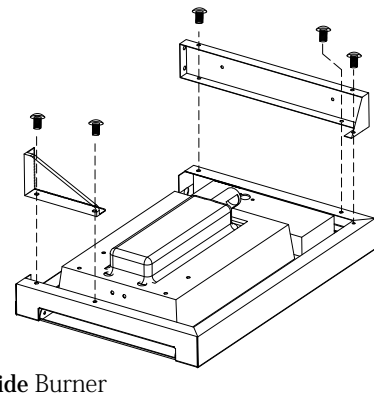
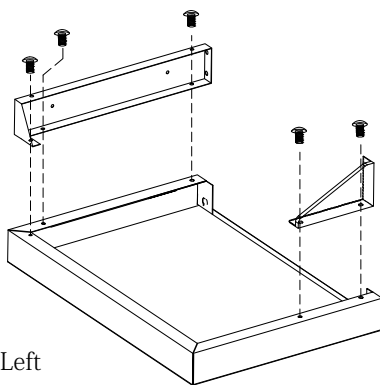
Phillips Head Screw 1/4"x1/2"  
Qty.4



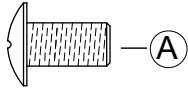
8. Install Strengthen bracket -Left/ Right/ Front decoration panel-Left & Right.



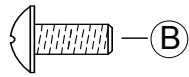
Phillips Head Screw: 3/16"x3/8"  
Qty.10



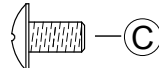
9 Install Side Burner.



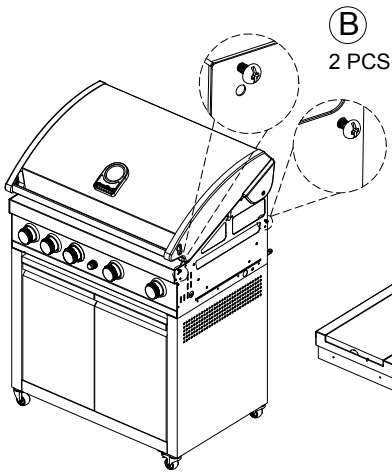
Phillips Head Screw 1/4"x1/2"  
Qty.2



Phillips Head Screw: 3/16"x1/2"  
Qty.2

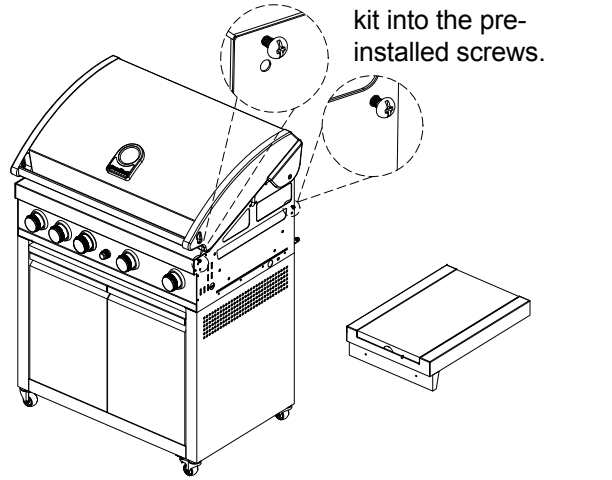


Phillips Head Screw: 3/16"x3/8"  
Qty.2



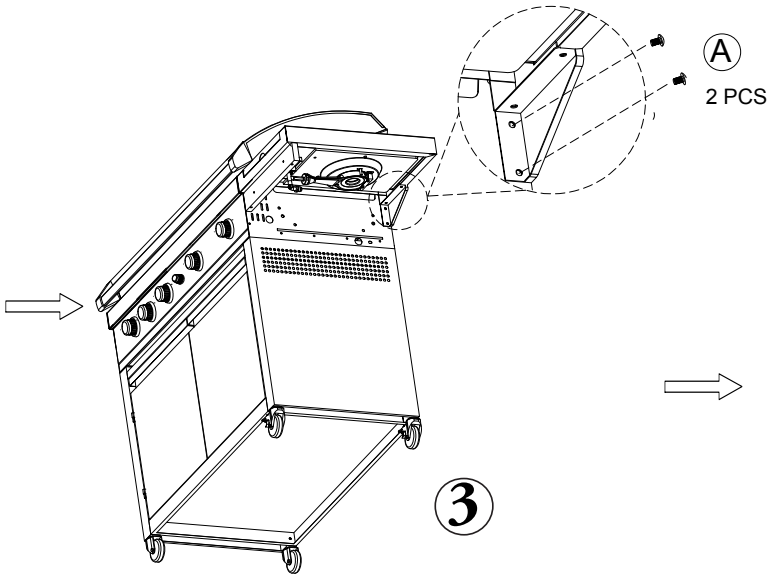
1

Pre-install the screws partially on the BBQ bowl side panel (Do not tighten to the end).

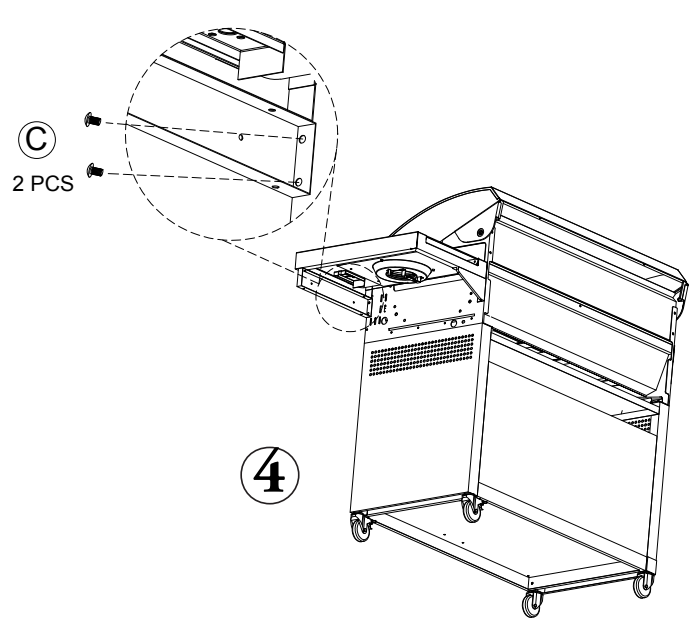


2

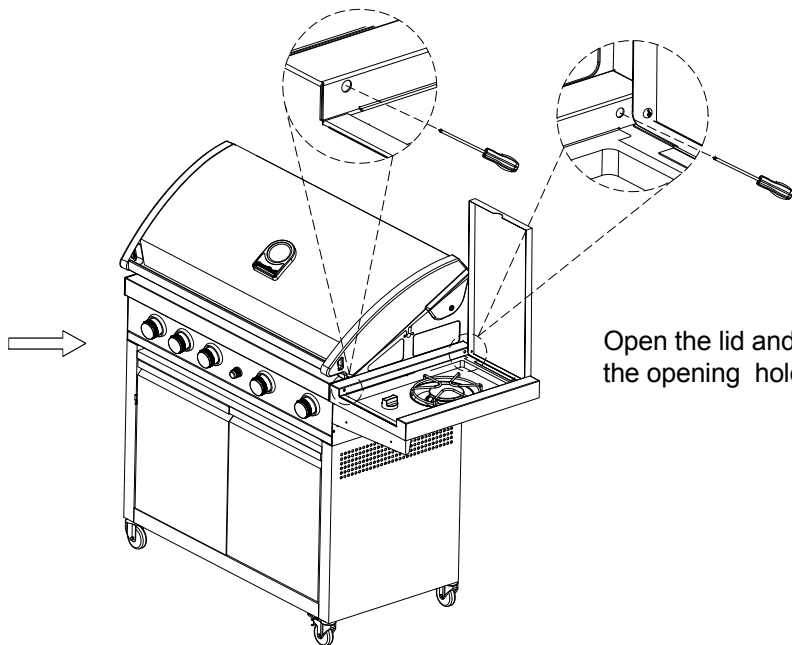
Slide the side burner kit into the pre-installed screws.



3

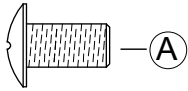


4

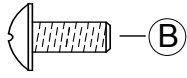


Open the lid and tighten up the screws from the opening holes.

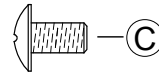
**10** Install Side Shelf.



Phillips Head Screw 1/4"x1/2"  
Qty.2

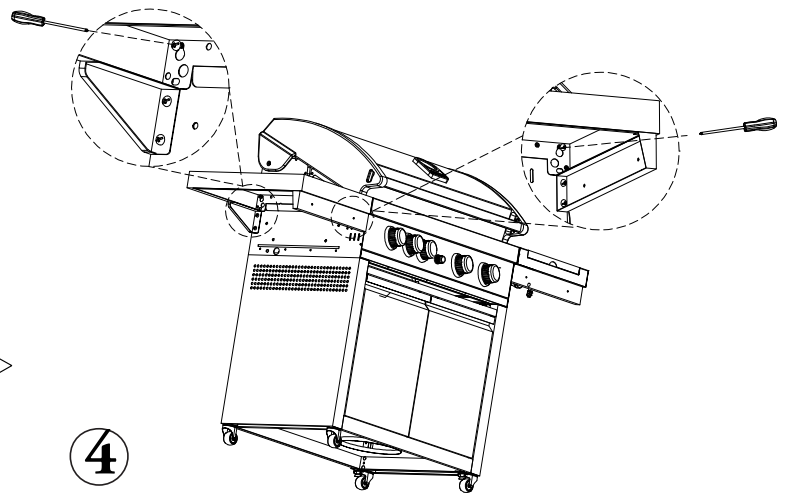
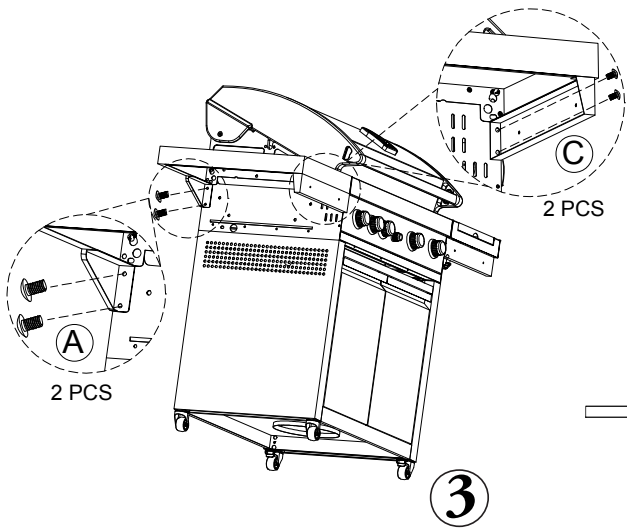
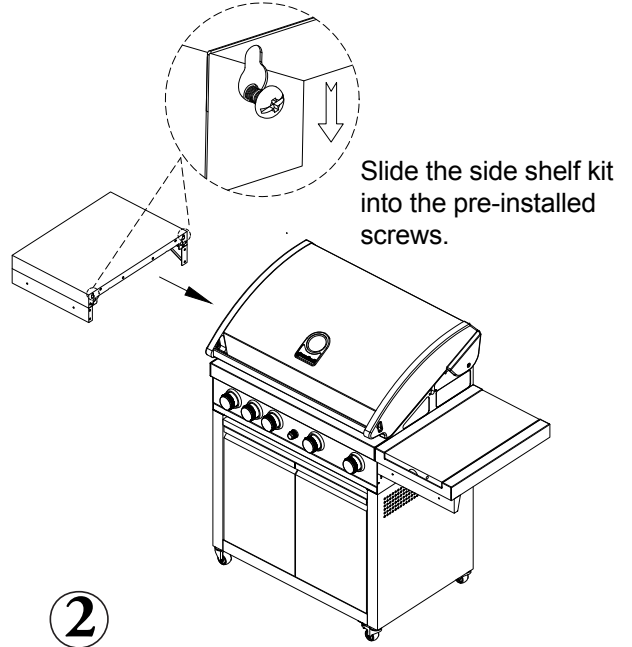
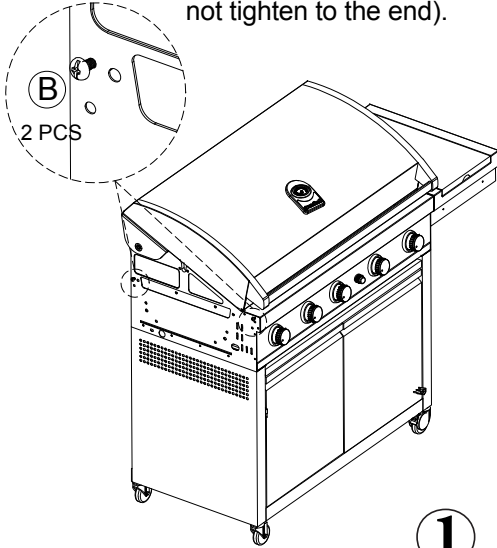


Phillips Head Screw: 3/16"x1/2"  
Qty.2

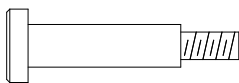


Phillips Head Screw: 3/16"x3/8"  
Qty.2

Pre-install the screws partially on the BBQ bowl side panel (Do not tighten to the end).



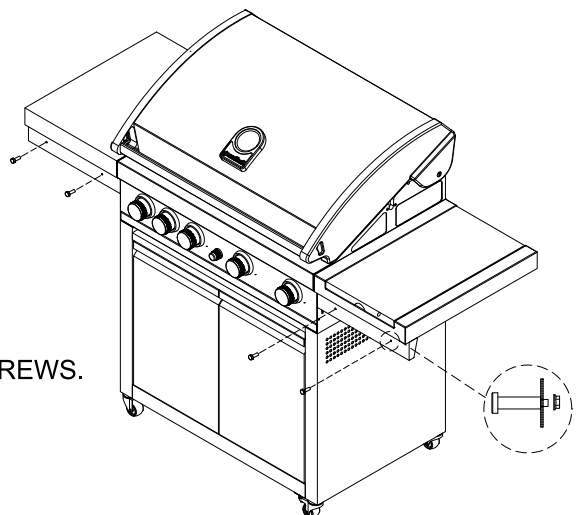
**11** Install Tool hooks.



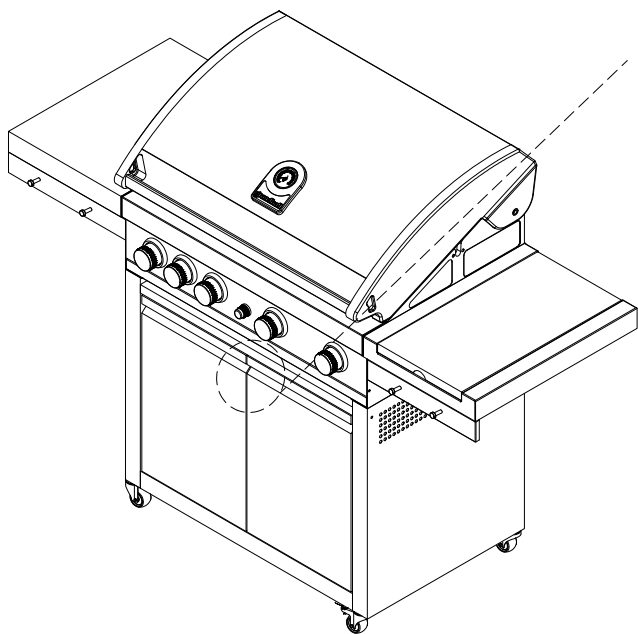
Tool Hood : M5  
Qty.4



Flange Nut : M5  
Qty.4



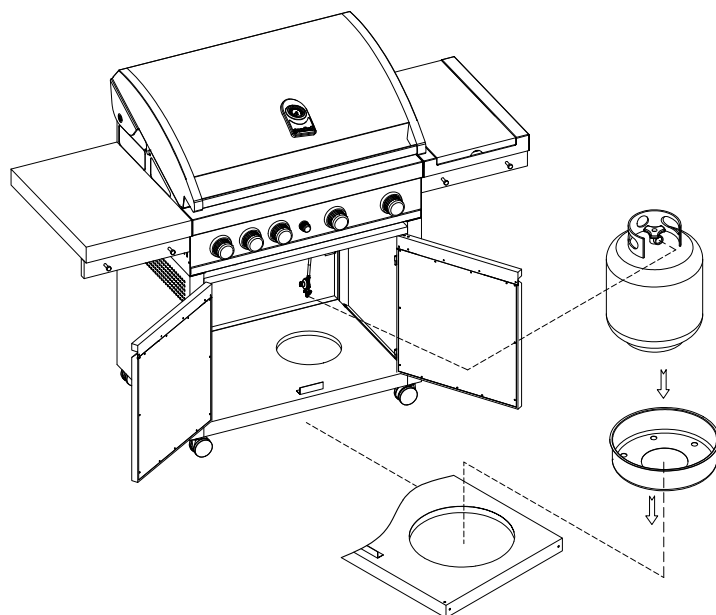
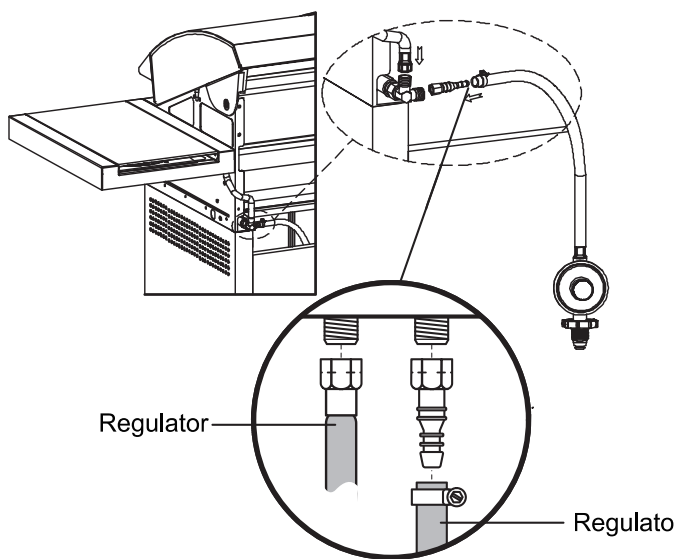
NOTE:TIGHTEN ALL SCREWS.



**Note:** If the top of the doors don't line up, adjustment may be made by adjusting the casters. Slightly unscrew one of the front casters and note the movement in the top of the doors. If the alignment become worse, screw back the caster and adjust the caster on the other side. The diagonally opposite casters may also be used if extra adjustment is required. Re-adjustment may be required if the barbecue is shifted to a different location.

**12.** Connect Side Burner Hose and install Regulator

**13.** Install Gas cylinder seat and Gas Cylinder



**WARNINGS INFORMATION**

**(GB)** DO NOT OBSTRUCT THE VENTILATION OPENINGS IN THE TROLLEY.

**(FR)** NE PAS BOUCHER LES OUVERTURES DE VENTILATION DANS LE CHARIOT.

**(DE)** NICHT DIE VENTILATIONSÖFFNUNGEN IM WAGEN BLOCKIEREN.

**(IT)** NON OSTRUIRE LE APERTURE DI VENTILAZIONE DEL CARRELLO.

**(SI)** NE OVIRAJTE PREZRAČEVALNE ODPRTINE V VOZIČKU.

**(NL)** DE VENTILATIEOPENINGEN IN DE TROLLEY NIET BLOKKEREN.

**(SE)** BLOCKERA EJ VENTILATIONSHÅLEN I GRILLBAREN.

**(FI)** KÄRRYN TUULETUSAUUKOJA EI SAA PEITTÄÄ.

**(ES)** NO OBSTRUYA LAS ABERTURAS DE VENTILACIÓN DEL CARRITO.

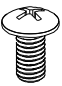
**(PT)** NÃO OBSTRUA AS ABERTURAS DE VENTILAÇÃO NO TRÔLEI.

**(DK)** VENTILATIONSÅBNINGEN I TROLLEYEN MÅ IKKE SPÆRRES.

**(NO)** VENTILASJONSÅPNINGENE PÅ TRALLEN MÅ IKKE TILDEKKES.

**(HR)** NE BLOKIRAJTE OTVORE VENTILACIJE U KOLICIMA.

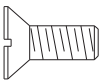
**1. Install the Trim brackets Left and Right & Rear**



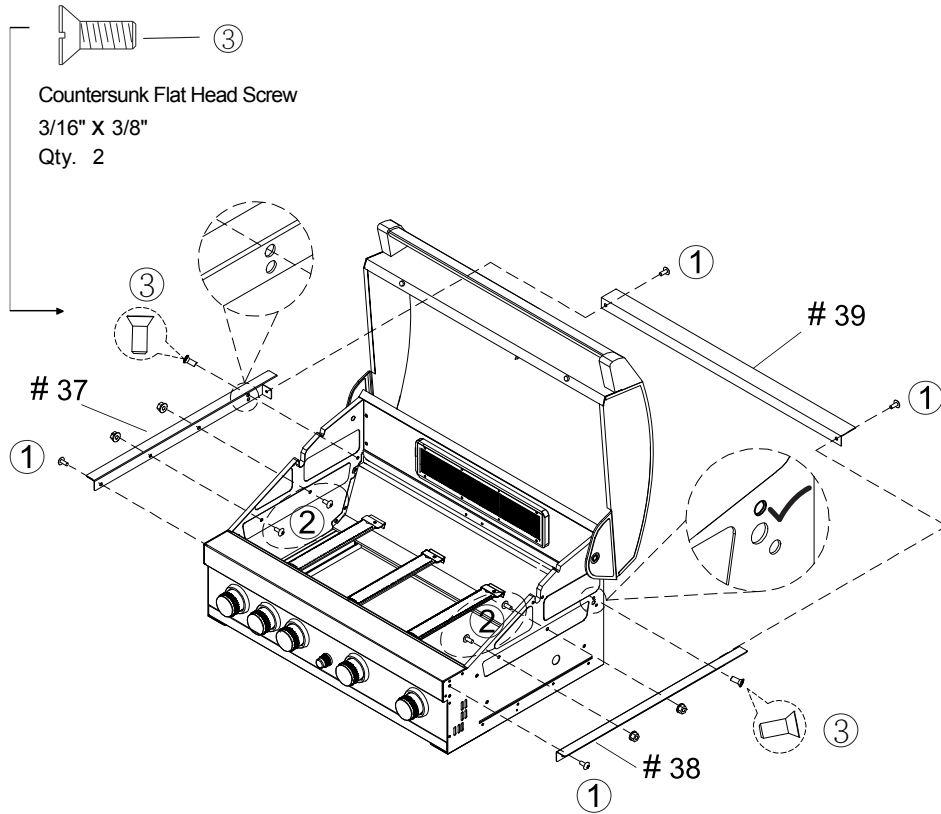
①  
Phillips Head Screw  
1/4" X 3/8"  
Qty. 4



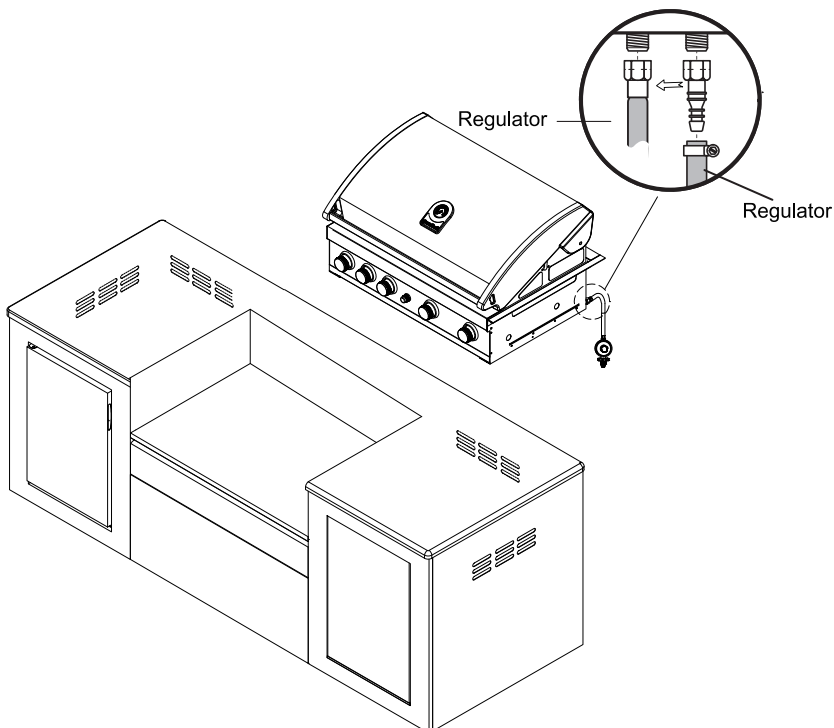
Flange Nut : 1/4"  
Qty.4



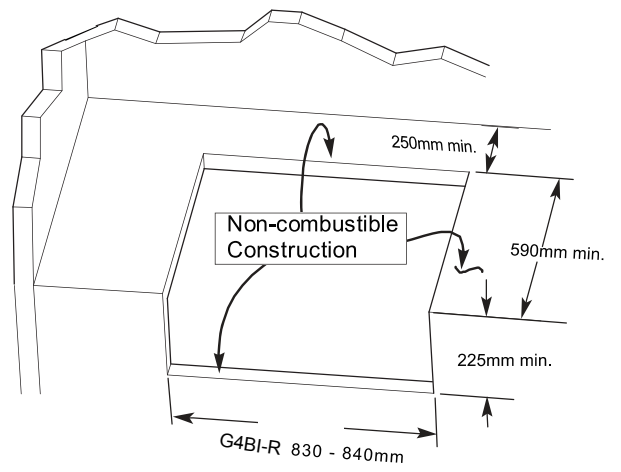
②  
Countersunk Flat Head Screw  
1/4" X 3/8"  
Qty. 4



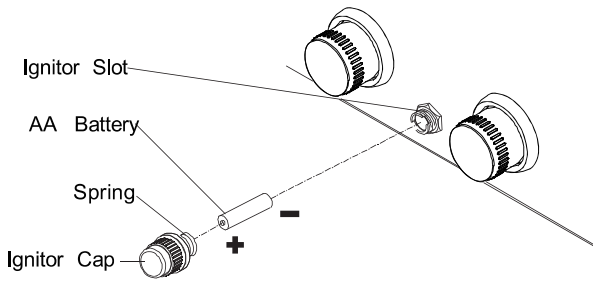
**2. Regulator and Install the grill onto the housing .**



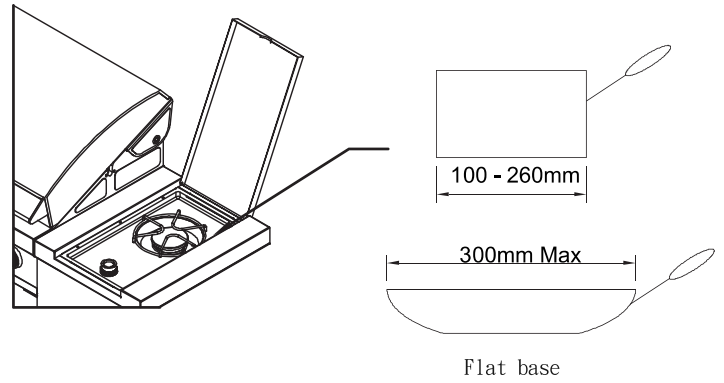
**MOUNTING CUT - OUT**



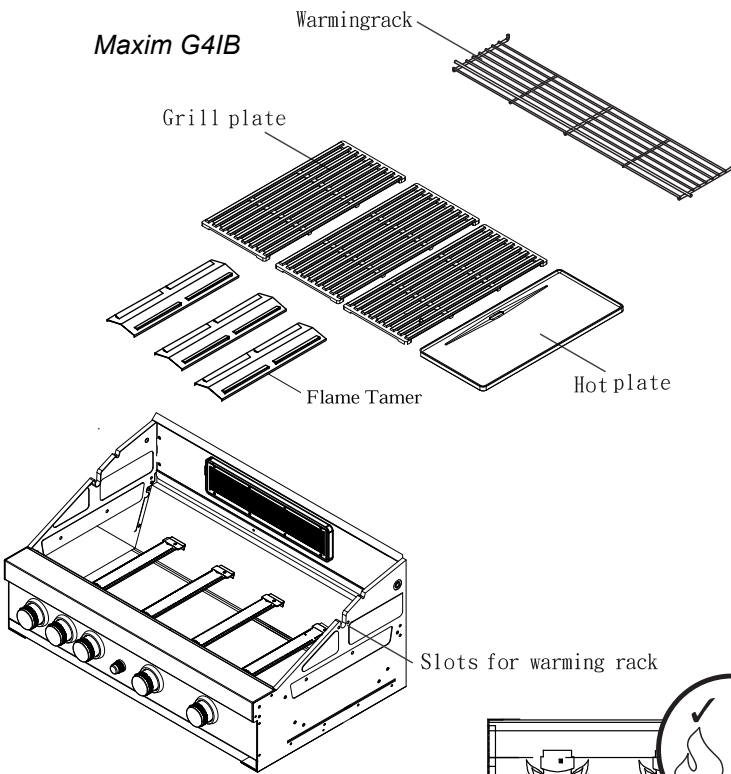
**IGNITION BATTERY**



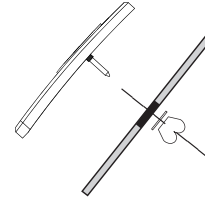
**SIDE BURNER POTS**



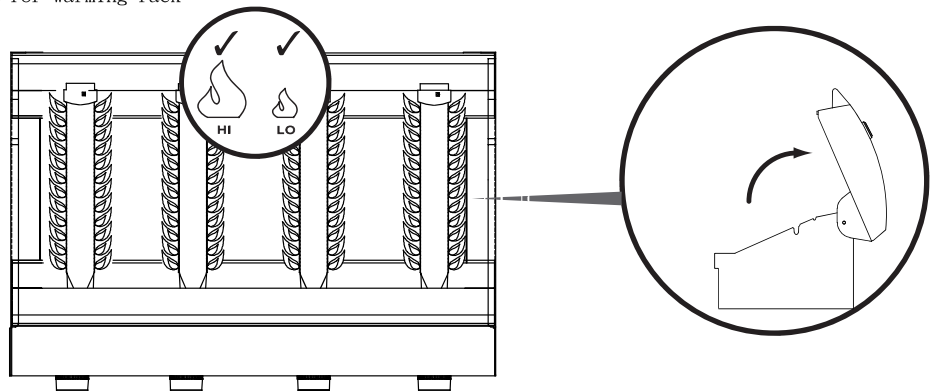
**COOKING COMPONENT INSTALLATION**



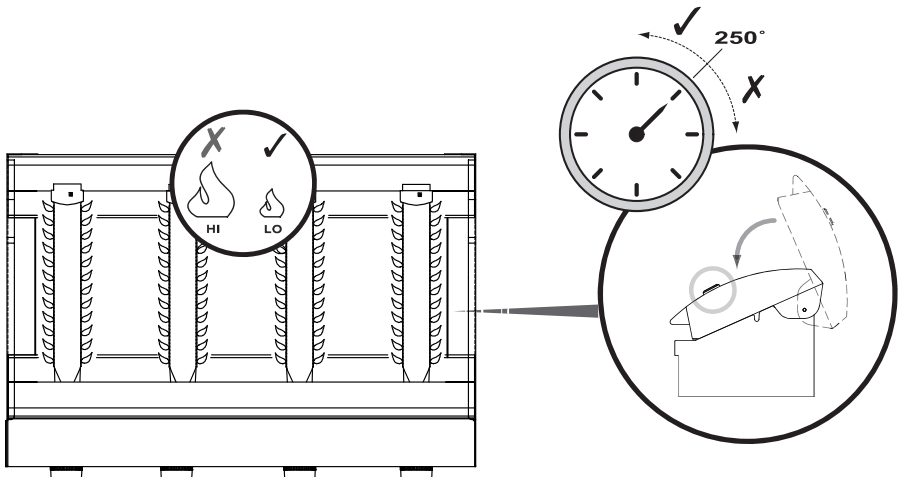
**TEMPERATURE GAUGE**



**COOKING WITH HOOD OPEN**



**COOKING WITH HOOD DOWN**



Please do not cook always with just 2 burners with hood closed. You only must not do it longer than 10 minutes if the heat goes to long over 250C.

The OLD Com B.V.  
Tolstraat 17A  
7482 DC Haaksbergen  
The Netherlands  
T: +31 (0) 53 231 3010

grandhall@grandhall.eu

All specifications are subject to change  
without notice.

Toutes les caractéristiques sont susceptibles  
d'être modifiées sans préavis.

Änderungen ohne vorherige Bekanntgabe  
vorbehalten.

Tutti i dati tecnici possono cambiare  
senza preavviso.

Alle specificaties kunnen zonder voorafgaande  
kennisgeving worden gewijzigd.

Kaikki oikeudet teknisten tietojen  
muutoksiin pidätetään.

Kaikki yksityiskohdat voivat muuttua ilman,  
että niistä erikseen ilmoitetaan.

Todas las especificaciones están sujetas a  
cambios sin previo aviso.

Todas as especificações estão sujeitas a  
alteração sem aviso.

Moguće su promjene bez prethodnih najava.

Možne so spremembe brez predhodnih najav.

Manufactured by  
Zhuhai Prokan Relaxation Equipment Co., Ltd.  
Jinfa Industrial Area Of Jinding Town, Zhuhai,  
Guangdong, China

PK00022019CE 01 / 2021

**(IE) (GB) NOTE:** This information is a guide only. Items included in your BBQ specification may differ depending on region or specific dealer specification.

**(CH) (FR) NOTE:** Ces renseignements sont donnés à titre indicatif. Il est possible que les articles inclus dans les spécifications de votre barbecue diffèrent selon la région ou les caractéristiques stipulées par le concessionnaire.

**(AT) (CH) (DE) ANMERKUNG:** Diese Anleitung dient nur zu Informationszwecken. Einzelteile der Grillspezifikation sind unter Umständen verschieden entsprechend der Vertriebsregion oder bestimmten Händleranforderungen.

**(CH) (IT) AVVERTENZA:** Queste informazioni hanno il valore di guida soltanto. Gli articoli compresi nelle caratteristiche tecniche del barbecue potrebbero variare a seconda della regione o del concessionario.

**(BE) (NL) ATTENTIE:** Deze informatie is alleen bedoeld als gids. Onderdelen in uw BBQ specificatie en pakket kunnen per regio of per dealer verschillen.

**(SE) ANM.:** Denna information är endast avsedd som handledning. Specifikationerna för grillen kan variera regionalt eller beroende på de krav som olika återförsäljare har.

**(FI) HUOMATKAA:** Nämä tiedot ovat pelkästään suuntaa antavia. Ostamanne grillin yksityiskohdat voivat olla erilaiset paikkakunnan tai erityisten myyjäkohtaisten yksityiskohtien mukaan.

**(ES) NOTA:** Esta información es una guía únicamente. Es posible que las indicaciones incluidas en las especificaciones de su Asador sean diferentes según la región o las especificaciones específicas del representante.

**(PT) NOTA:** Esta informação é simplesmente um guia. Os itens incluídos na especificação do seu BBQ poderão diferir dependendo da especificação da região ou do vendedor específico.

**(DK) NB:** Denne information er kun vejledende. Specifikationer kan variere efter ønske fra forhandler, eller i henhold til nationale regler.

**(NO) NB:** Denne informasjon er kun veiledende. Spesifikasjoner kan variere som stipulert av forhandler, eller i henhold til nasjonale krav.

**(HR) UPOZORENJE:** Ova uputa služi samo u informativne svrhe. Pojedini dijelovi specifikacije roštilja su različiti od onih koji su propisani Vašim mjestom boravka ili koje su propisali razni distributeri i ovlaštenici za plinske roštilje.

**(SI) OPOZORILO:** Ta navodila so samo informativne narave. Posamezni deli iz specifikacije žara so lahko različni od tistih, kateri so predpisani v vaši regiji ali li katere so predpisali distributerji in pooblašeni zastopniki za plinske žare.