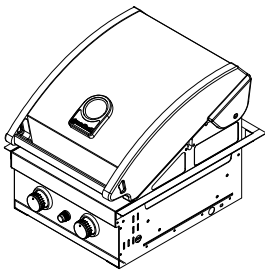


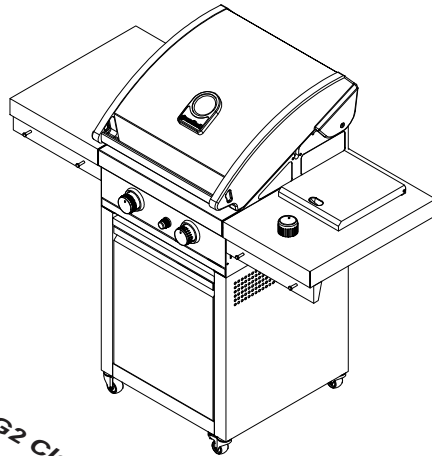
CE 1008

grandhall[®]
australian style

gas barbecue



G2 Classic inbuilt



G2 Classic Trolley

- Ⓘ Ⓒ Assembly instructions
- Ⓒ Ⓕ Instructions d'assemblage
- Ⓐ Ⓒ Ⓓ Montageanweisungen
- Ⓒ Ⓘ Istruzioni per il montaggio
- Ⓒ Ⓓ Montage-instructies
- Ⓒ Montering
- Ⓕ Kokoamisohjeet
- Ⓒ Instrucciones de armado
- Ⓕ Instruções para Montagem
- Ⓓ Monteringsvejledning
- Ⓒ Montering
- Ⓕ Upute za montažu
- Ⓒ Navodila za montažo

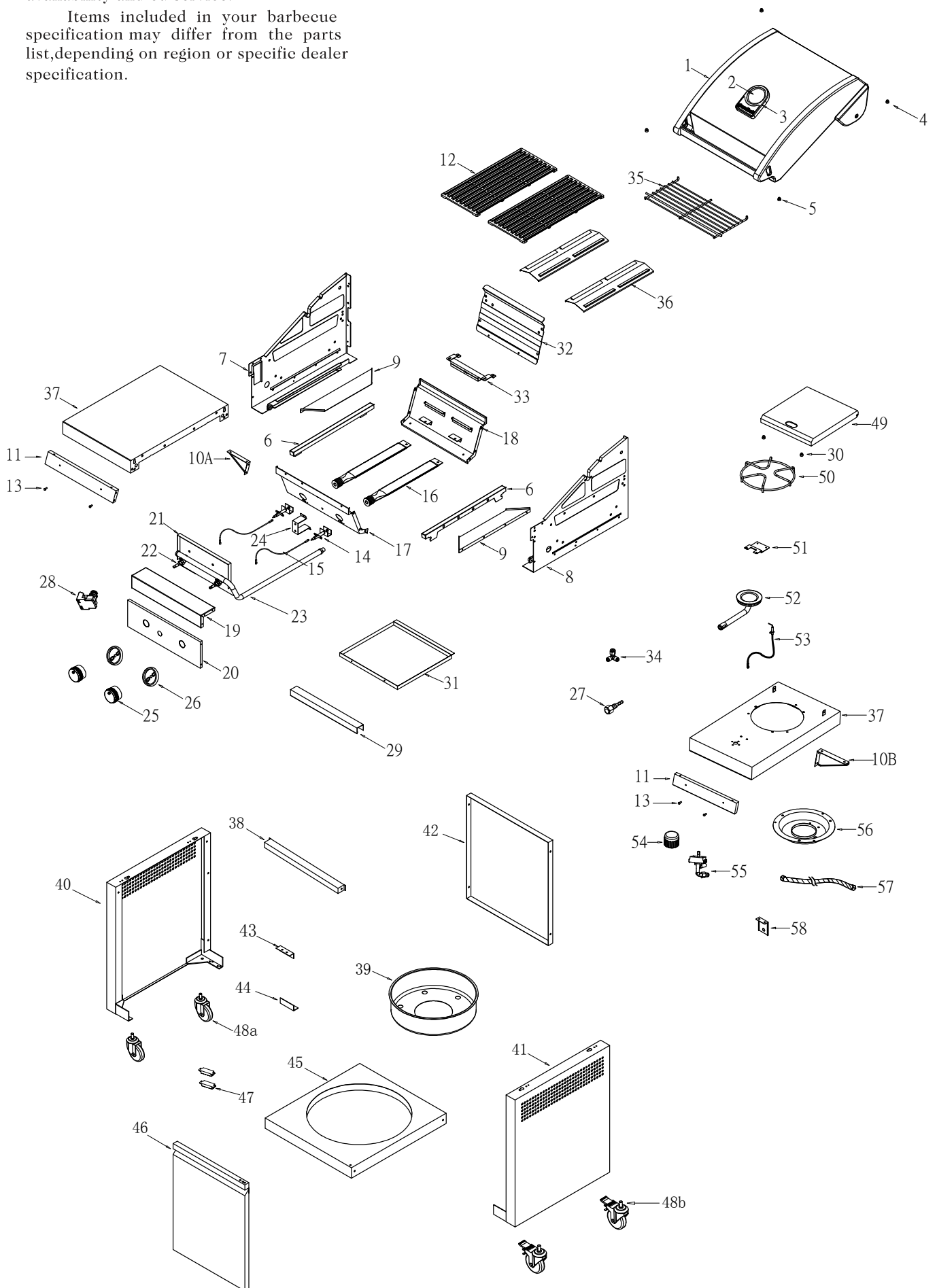
PART LIST G2 Classic Trolley (G2-SB) Model

<i>Ref</i>	<i>Description</i>	<i>Part No.</i>	<i>Qty</i>	<i>Ref</i>	<i>Description</i>	<i>Part No.</i>	<i>Qty</i>
1	Lid Assembly	S0214-01AZ	1	31	Grease Tray	S0214-14	1
2	Temperature Gauge	S0209-16	1	32	Bowl Wind Shield	S0214-12	1
3	Name plate	S0146-227	1	33	Crossfire box	S0146-204Z	1
4	Lid Rubber Pad, Rear	S0146-158	2	34	Adaptor-1/4 LH inlet	S0165-09	1
5	Lid Rubber Pad, Rear	S0128-35	2	35	Warming Rack	S0214-09	1
6	Decoration panel	S0214-06	2	36	Flame Tamers	S0146-50	2
7	Bowl Panel, Left	S0146-31C-SPP	1	37	Side Shelf	S0214-17	2
8	Bowl Panel, Right	S0146-30-SPP	1	38	Cart Bracket, Front	S0214-22	1
9	Bowl Grease Shield	S0165-34-CR	2	39	Gas cylinder housing	S0118-61A-CR	1
10A	Shelf Support Bracket,Rear	S0200-03	1	40	Trolley Panel, Left	S0209-10-CR	1
10B	Sear Burner Shelf Support Bracket, Rear	S0200-04	1	41	Trolley Panel, Right	S0209-11-CR	1
11	Side Shelf Front Decoration Panel, Left	S0214-18	2	42	Trolley Panel, Rear	S0214-23	1
12	Cooking Grid	S0146-57C	2	43	Door guide - upper	S0146-10B-CR	1
13	Tool Hook	S0172-45	4	44	Door guide - lower	S0146-10-CR	1
14	Gas Collector Box with Electrode	S0146-81	2	45	Trolley Bottom Panel	S0214-24	1
15	Electric Wire Set	S0214-13	1set	46	Door	S0146-07B	1
16	Main Burner	S0146-210-S304	2	47	Magnet seat	S0003-05E	2
17	Bowl Panel, Front	S0214-04	1	48a	2" caster(without Brake)	S0146-218	2
18	Bowl Panel, Rear	S0214-05	1	48b	2" caster(with Brake)	S0146-217	2
19	Upper control Panel	S0214-07	1	49	Side Burner Lid	S0214-19	1
20	Control Panel	S0214-08	1	50	Side Burner Pot Support	S0003-48	1
21	Gas Valve Heat Shield	S0214-10	1	51	Side Burner Mounting Bracket	S0167-60	1
22	Main Valve-without jet	S0209-08	2	52	Side Burner, Right	S0210-03	1
23	Manifold	S0214-11	1	53	Side Burner Electrode With Wire	S0205-42	1
24	Gas Valve Heat Shield Bracket	S0146-40-ZN	1	54	Control Knob-Side burner	S0150-18	1
25	Control knob - main burner	S0164-20	2	55	Gas Valves / Right Side Burner	S0210-02	1
26	Knob Seat	S0174-12	2	56	Side Burner Body, Right	S0168-19	1
27	Universal Hose Barb -1/4 LH inlet	S0118-78	1	57	Side Burner Hose	S00146-226	1
28	Electric Ignitor	K0086-64	1	58	Side Burner Orifice Bracket	S0149-46	1
29	Grease Tray Handle	S0214-15	1		Hardware Pack	KHWP0037	1
30	Protective Pad	S0128-35	2				

G2 Classic Trolley(G2-SB) Model

This diagram is provided to assist you identify parts if replacement is necessary. Contact your place of purchase or the manufacturer to enuire about parts, availability and ou service.

Items included in your barbecue specification may differ from the parts list,depending on region or specific dealer specification.



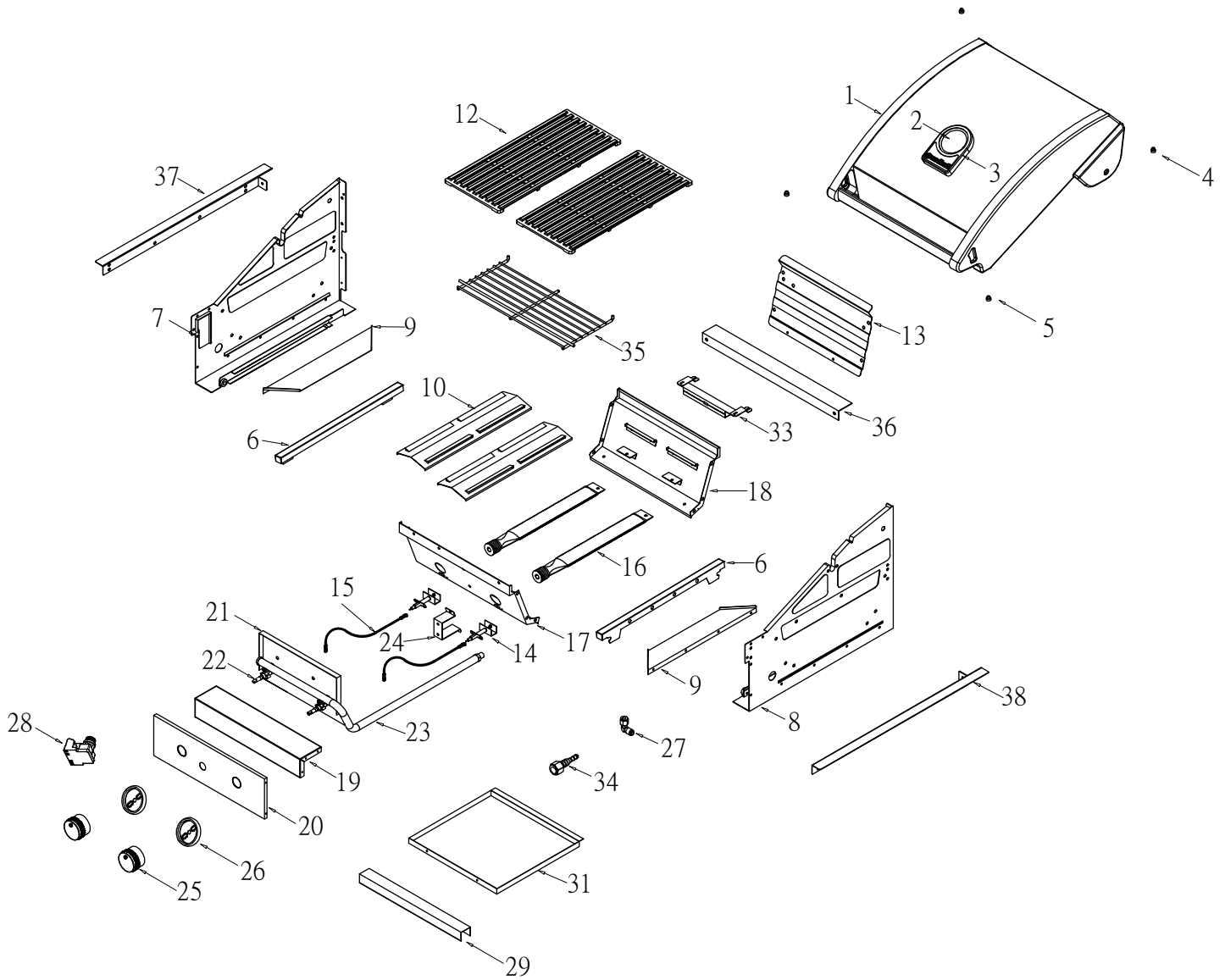
PART LIST G2 Classic inbuilt (G2BI) model

<i>Ref</i>	<i>Description</i>	<i>Part No.</i>	<i>Qty</i>
1	Lid Assembly	S0214-01Z	1
2	Temperature Gauge	S0209-16	1
3	Name plate	S0146-227	1
4	Lid Rubber Pad, Rear	S0146-158	2
5	Lid Rubber Pad, Rear	S0128-35	2
6	Decoration panel	S0214-06	2
7	Bowl Panel, Left	S0146-31C-SPP12	1
8	Bowl Panel, Right	S0146-30C-SPP12	1
9	Bowl Grease Shield	S0165-34-CR06	2
10	Flame Tamer	S0146-50	2
12	Cooking Grid	S0146-57C	2
13	Bowl Wind Shield	S0214-12	1
14	Gas Collector Box with Electrode	S0146-81	2
15	Electric Wire Set	S0214-13	1Set
16	Main Burner	S0146-210-S30410	2
17	Bowl Panel, Front	S0214-04	1
18	Bowl Panel, Rear	S0214-05	1
19	Upper control Panel-30mbar	S0214-07	1
20	Control Panel	S0214-08	1
21	Gas Valve Heat Shield	S0214-10	1
22	Main Valve-without jet	S0209-08	2
23	Manifold	S0214-11	1
24	Gas Valve Heat Shield Bracket	S0146-40-ZN12	1
25	Control knob - main burner	S0164-20	2
26	Knob Seat	S0174-12	2
27	Adaptor-1/4 LH inlet	S0146-197	1
28	Electric Ignitor	K0084-64	1
29	Grease Tray Handle	S0214-15	1
31	Grease Tray	S0214-14	1
33	Crossfire box	S0146-204Z	1
34	Universal Hose Barb -1/4 LH inlet	S0118-78	1
35	Warming Rack	S0214-09	1
36	Bowl support bracket-Rear	S0214-16	1
37	Bowl support bracket-Left	P0146-102B	1
38	Bowl support bracket-Right	P0146-102A	1
	Hardware Pack	P06027003A	1

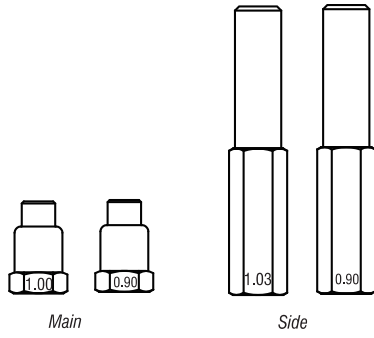
G2 Classic inbuilt (G2BI) Model

This diagram is provided to assist you identify parts if replacement is necessary. Contact your place of purchase or the manufacturer to enquire about parts, availability and our service.

Items included in your barbecue specification may differ from the parts list, depending on region or specific dealer specification.



INJECTOR

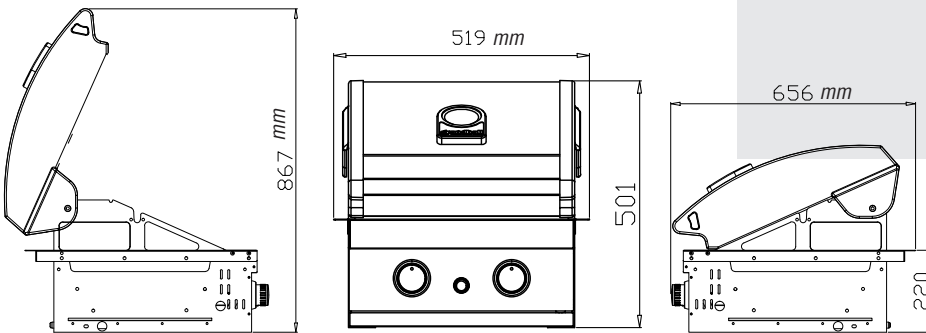


•Main	1.00 mm	- I 3+ (28-30/37)
	0.90 mm	- I 3B/P (30)
•Side	1.03 mm	- I 3+ (28-30/37)
	0.90 mm	- I 3B/P (30)

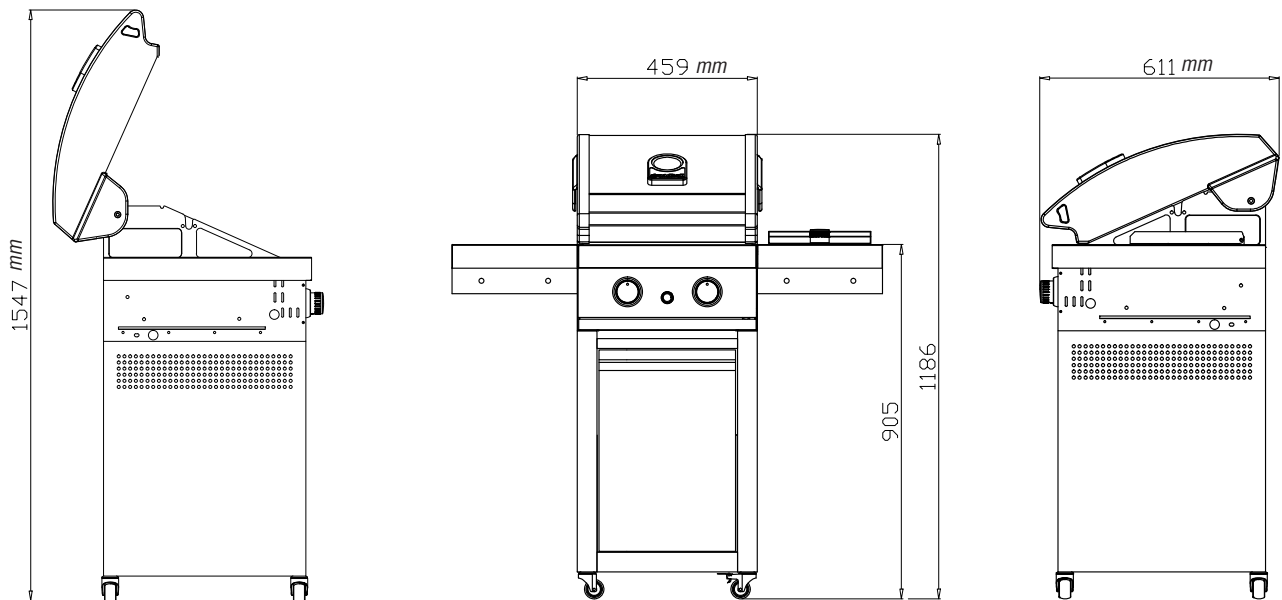
INPUT

•Main	2 burner	8.7 kW	-937 grams / h
•Side		4.4 kW	- 319 grams / h

DIMENSIONS



G2 Classic inbuilt

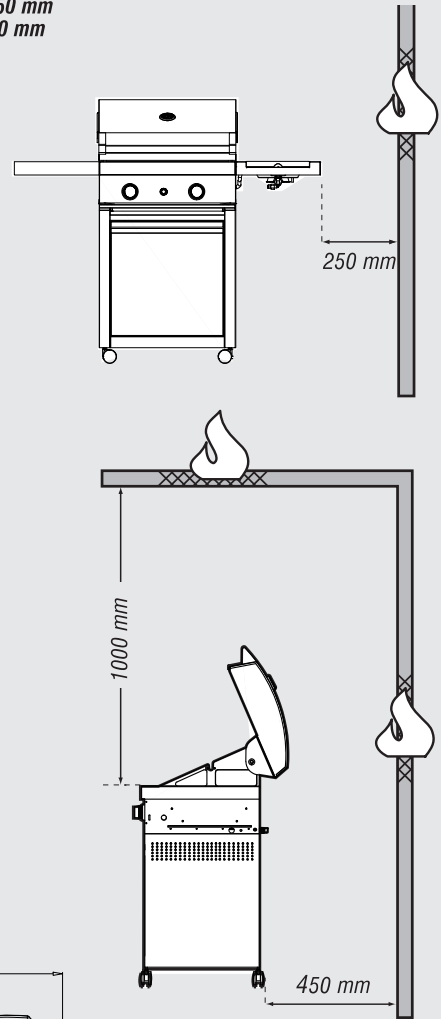


G2 Classic Trolley



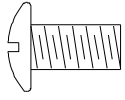
WARNINGS INFORMATION

- **MINIMUM CLEARANCES FROM COMBUSTIBLE MATERIALS MUST BE:**
REAR - 450 mm
SIDES - 250 mm
TOP - 1000 mm

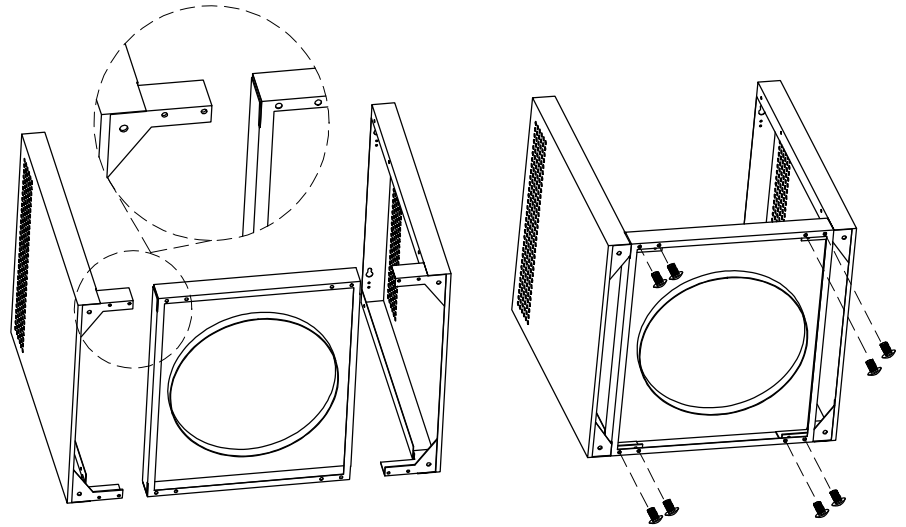


ASSEMBLY - G2 Classic Trolley Model

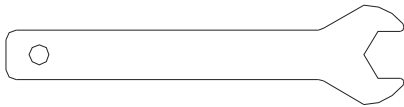
1 Install Trolley Side Panels onto Trolley Bottom Shelf



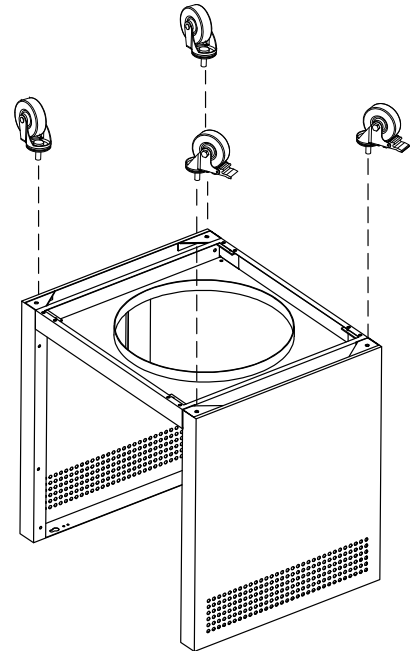
Phillips Head Screw 1/4"x1/2"
Qty.8



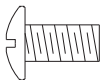
2 Install Casters



Spanner
Qty.1



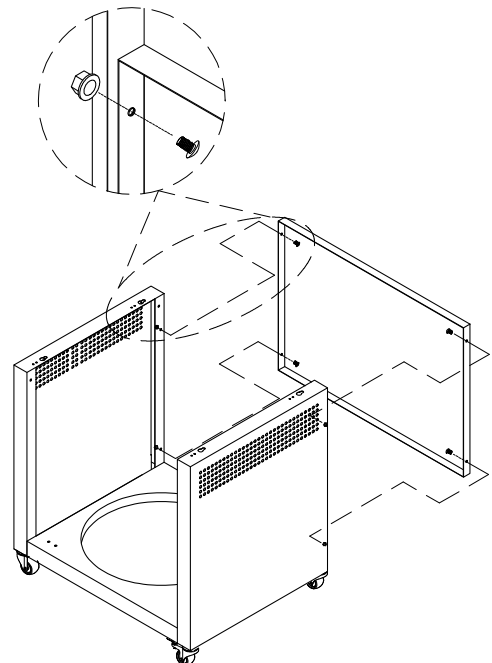
3 Install Trolley Rear Panel



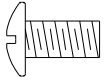
Phillips Head Screw 3/16"x 3/8"
Qty. 4



Flange Nut 3/16"
Qty.4



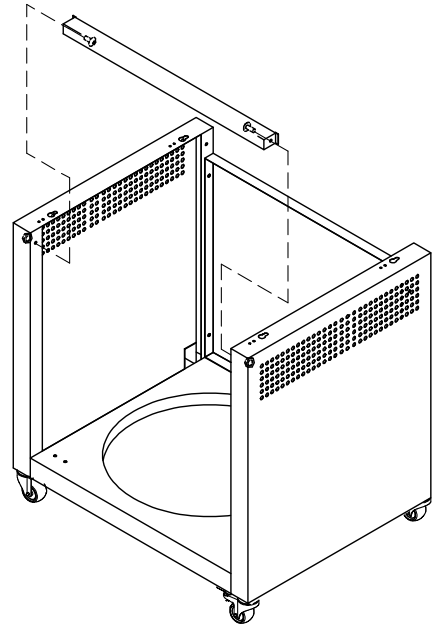
4 Install Door Bracket



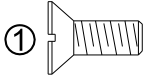
Phillips Head Screw 3/16"x 3/8"
Qty.2



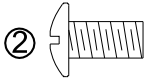
Flange Nut 3/16"
Qty.2



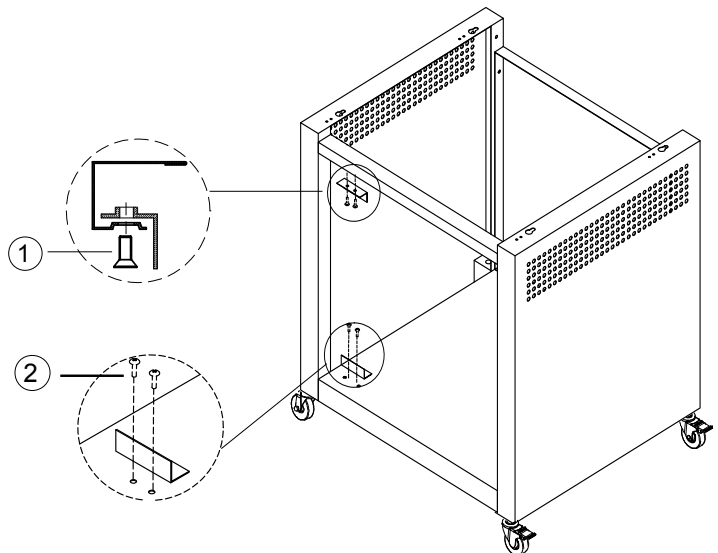
5 Install Door Stop Plate



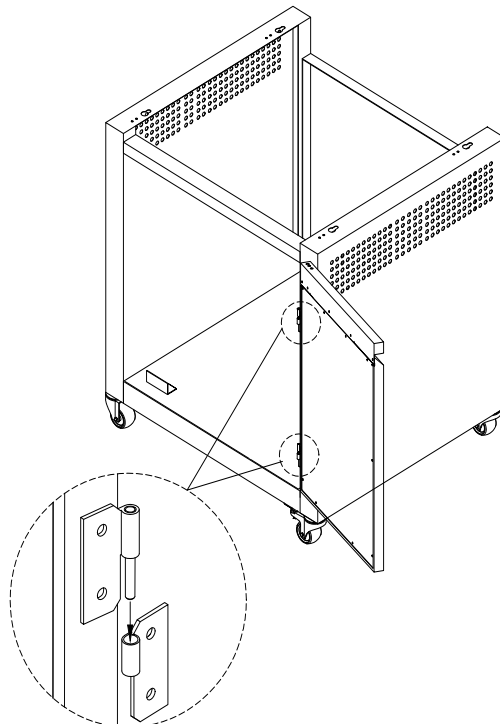
Countersunk Flat Head Screw 3/16"x3/8"
Qty.2



Phillips Head Screw 3/16"x 1/2"
Qty.2

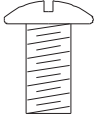


6 Install Doors

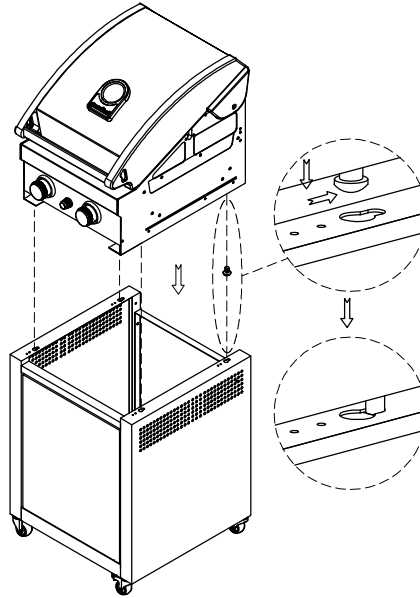


7 Install The Barbecue head to the trolley

- Note: Installation requires two persons Remove all componets from the barbecue head.
- Partially install the screws to the underside of the barbecue
- Locate the screw head into the keyholes on the top face of the trolley side panels, slide back to lock into position, tighten screws.



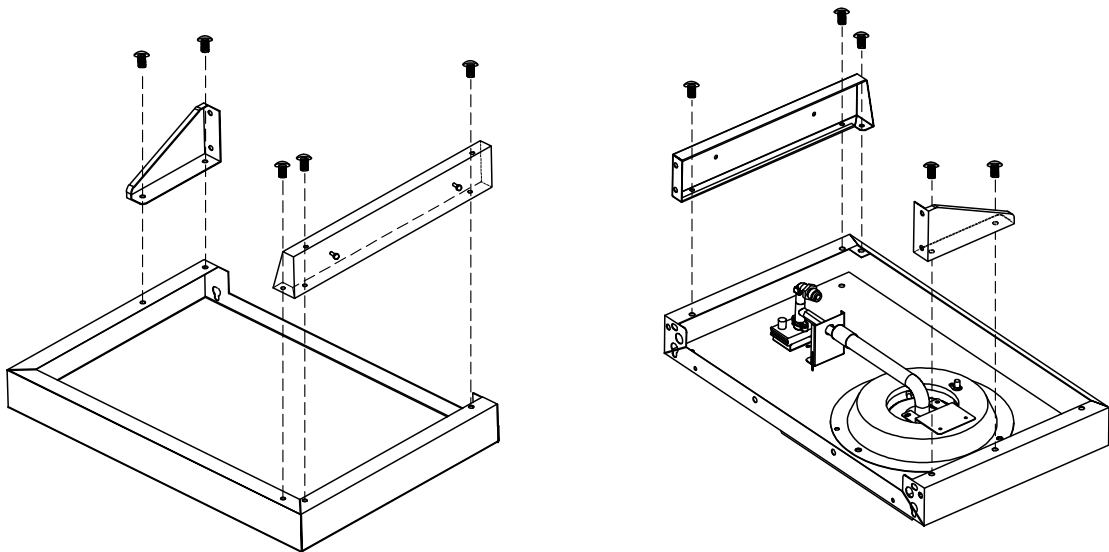
Phillips Head Screw 1/4"x1/2"
Qty.4



8 Install Shelf Front Decoration Panel and Shelf Support Bracket



Phillips Head Screw 3/16"x1/2"
Qty.10



Left Side Burner

Right Side Shelf

9 Install Right Side Burner

1. Pre-install the screws partially on the BBQ bowl side panel (Do not tighten to the end).

2. Slide the side burner kit into the pre-installed screws.

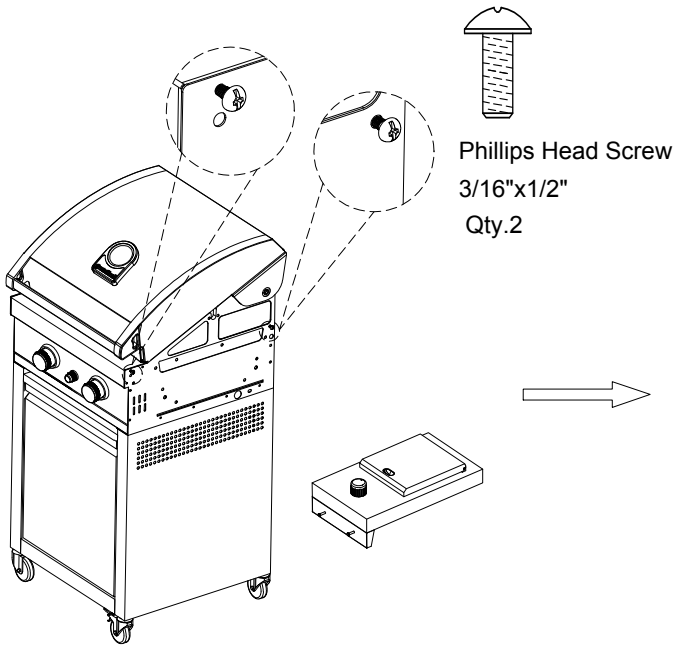


Fig. 1

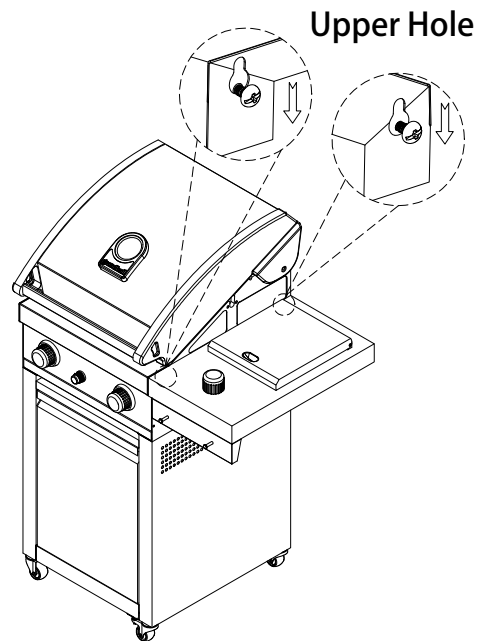


Fig. 2

3. Secure the rear support bracket to the side of the bowl.

4. Secure the side shelf front decoration panel to the side of the bowl.

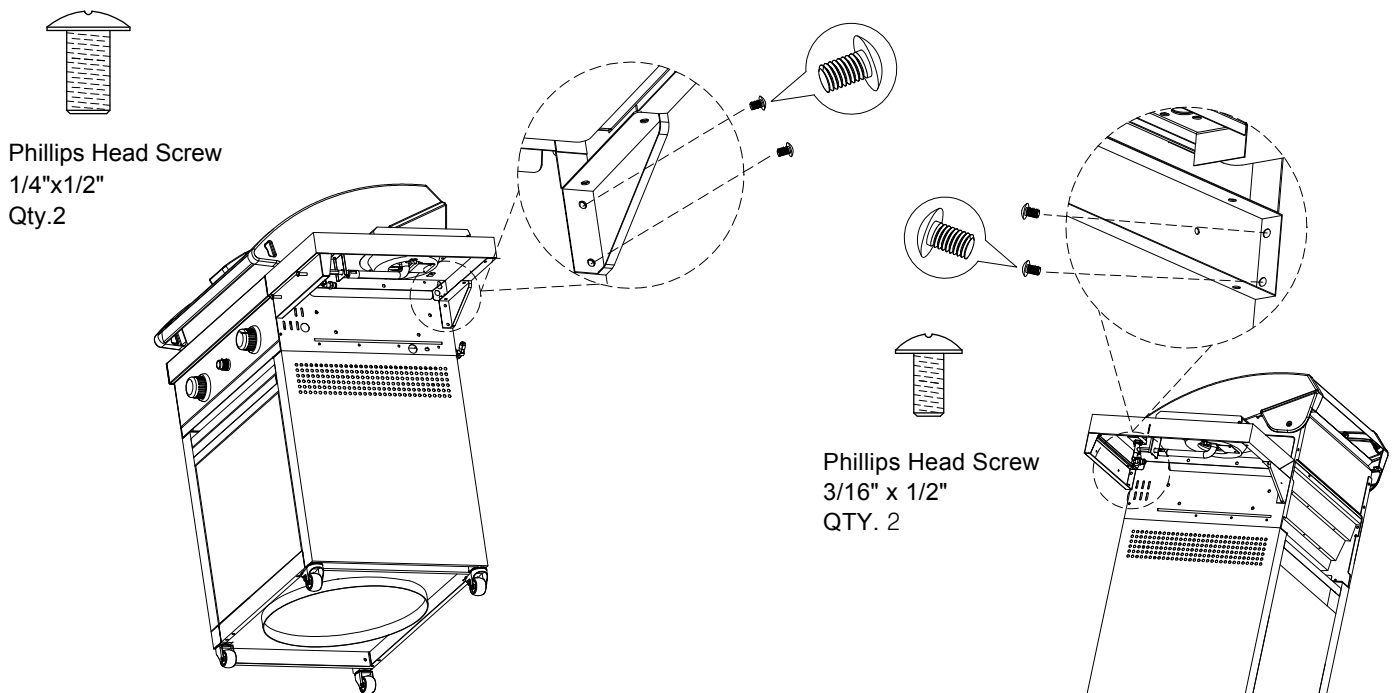


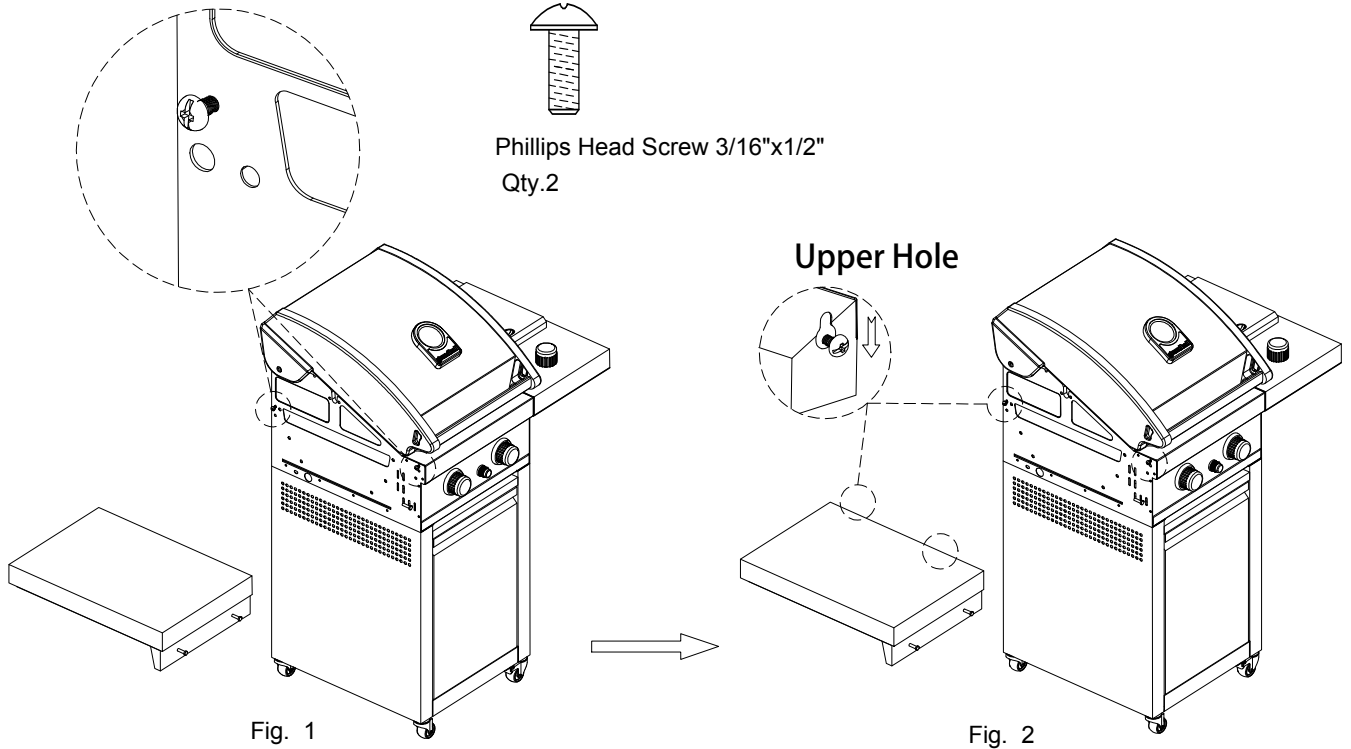
Fig. 3

Fig. 4

10 Install the left searing burner side shelf

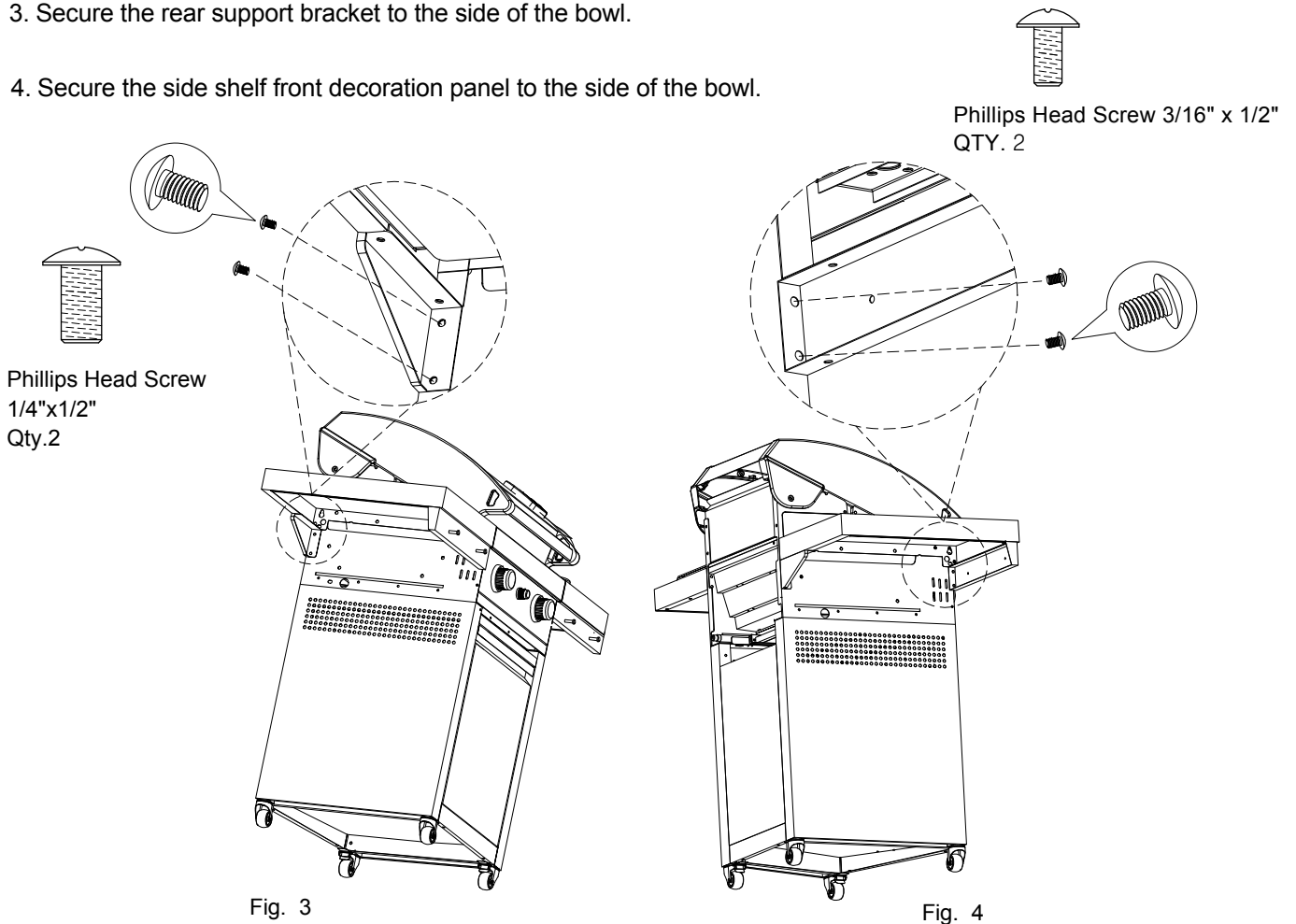
1. Pre-install the screws partially on the BBQ bowl side panel (Do not tighten to the end).

2. Slide the side burner kit into the pre-installed screws.

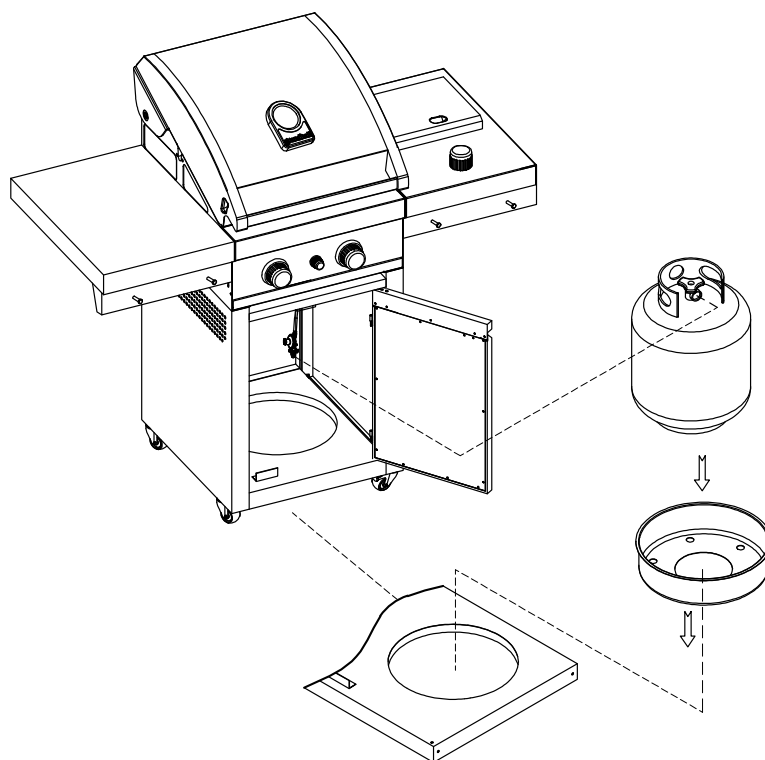


3. Secure the rear support bracket to the side of the bowl.

4. Secure the side shelf front decoration panel to the side of the bowl.



11 Install Gas cylinder seat and Gas Cylinder



WARNINGS INFORMATION

(GB) DO NOT OBSTRUCT THE VENTILATION OPENINGS IN THE TROLLEY.

(FR) NE PAS BOUCHER LES OUVERTURES DE VENTILATION DANS LE CHARIOT.

(DE) NICHT DIE VENTILATIONSÖFFNUNGEN IM WAGEN BLOCKIEREN.

(IT) NON OSTRUIRE LE APERTURE DI VENTILAZIONE DEL CARRELLO.

(SI) NE OVIRAJTE PREZRAČEVALNE ODPRTINE V VOZIČKU.

(NL) DE VENTILATIEOPENINGEN IN DE TROLLEY NIET BLOKKEREN.

(SE) BLOCKERA EJ VENTILATIONSHÅLEN I GRILLBAREN.

(FI) KÄRRYN TUULETUSAUUKKOJA EI SAA PEITTÄÄ.

(ES) NO OBSTRUYA LAS ABERTURAS DE VENTILACIÓN DEL CARRITO.

(PT) NÃO OBSTRUA AS ABERTURAS DE VENTILAÇÃO NO TRÓLEI.

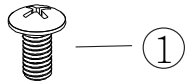
(DK) VENTILATIONSÅBNINGEN I TROLLEYEN MÅ IKKE SPÆRRES.

(NO) VENTILASJONSÅPNINGENE PÅ TRALLEN MÅ IKKE TILDEKES.

(HR) NE BLOKIRAJTE OTVORE VENTILACIJE U KOLICIMA.

ASSEMBLY - G2 Classic inbuilt

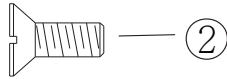
1 Install the Trim brackets Left and Right & Rear



Phillips Head Screw
1/4" X 3/8"
Qty. 4



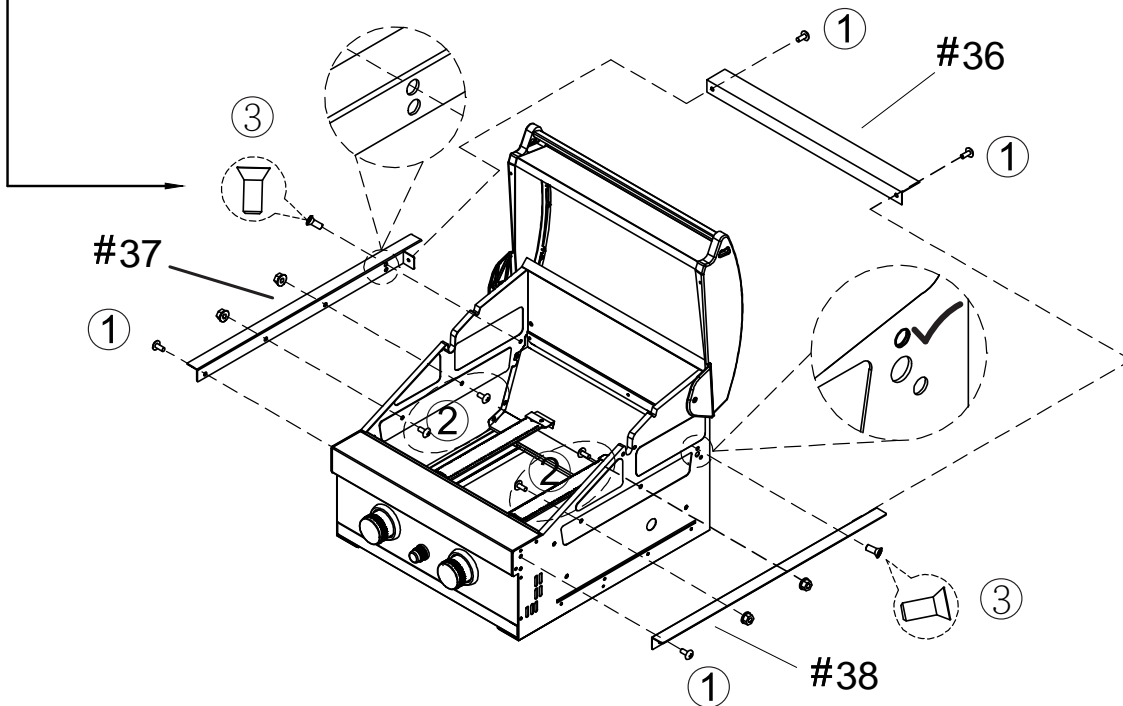
Flange Nut : 1/4"
Qty.4



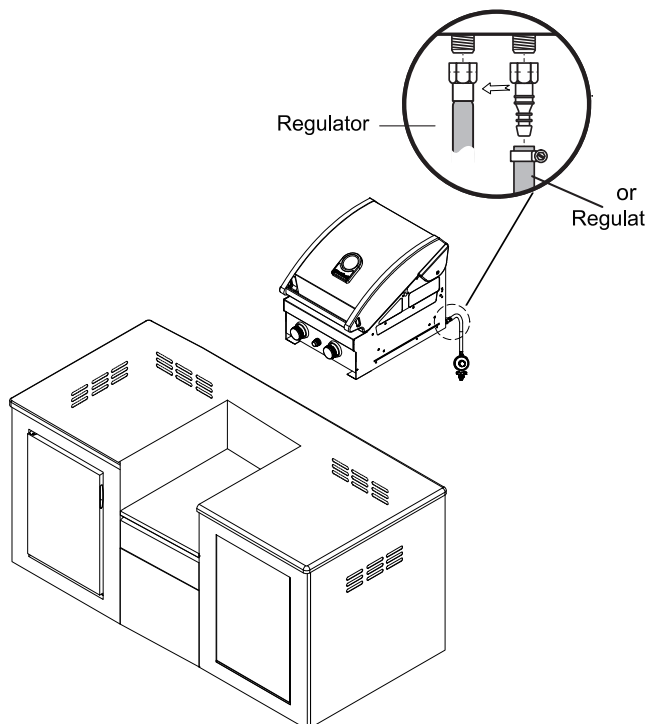
Countersunk Flat Head Screw
1/4" X 3/8"
Qty. 4



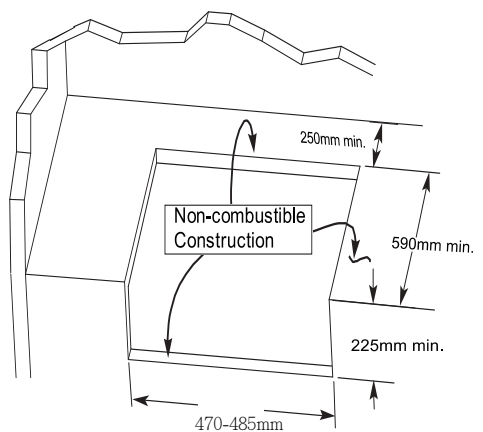
Countersunk Flat Head Screw
3/16" X 3/8"
Qty. 2



2 Regulator and Install the grill onto the housing .

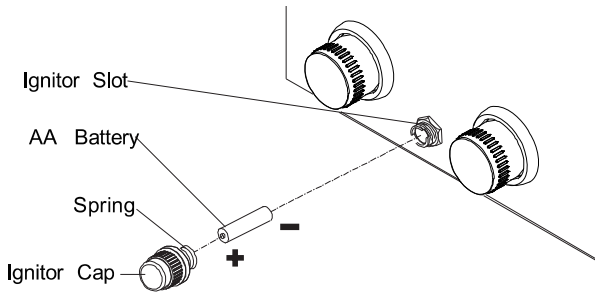


MOUNTING CUT - OUT

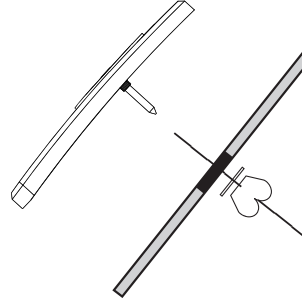


G2 Classic inbuilt (G2BI)

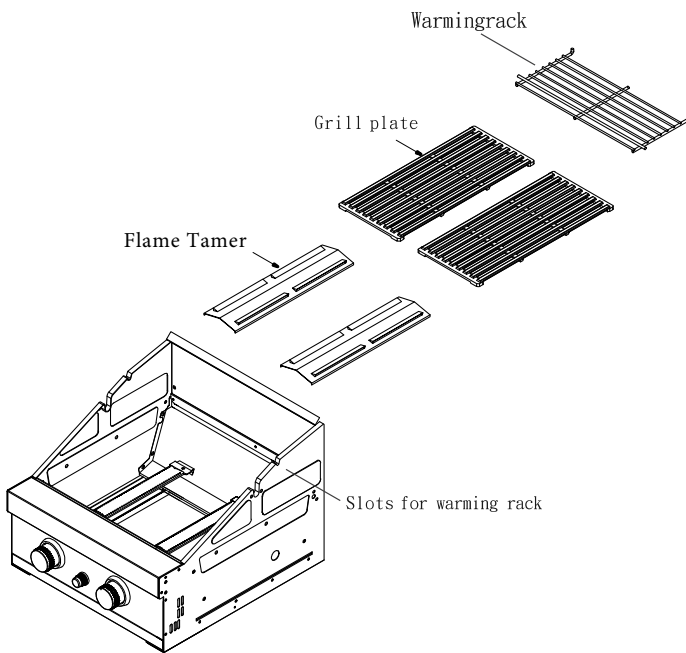
IGNITION BATTERY



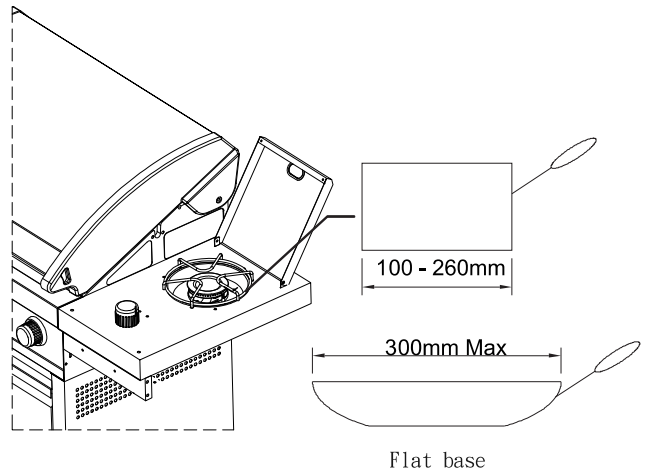
TEMPERATURE GAUGE



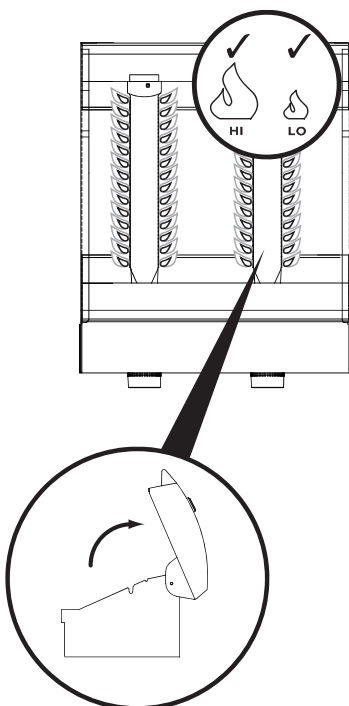
COOKING COMPONENT INSTALLATION



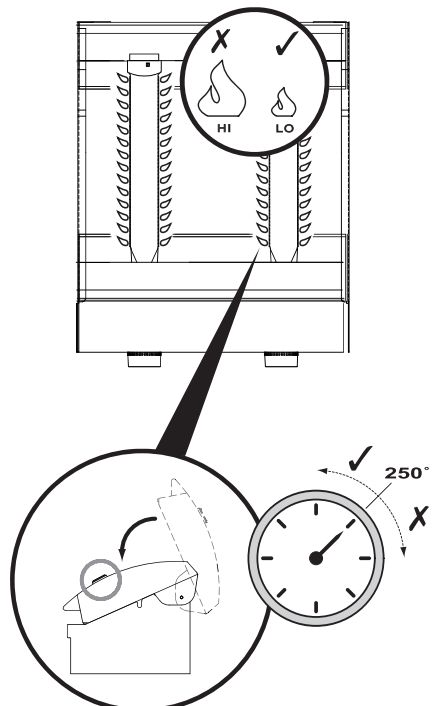
SIDE BURNER POTS



COOKING WITH HOOD OPEN



COOKING WITH HOOD DOWN



The OLD Com B.V.
Tolstraat 17A
7482 DC Haaksbergen
The Netherlands
T: +31 (0) 53 231 3010

grandhall@grandhall.eu

All specifications are subject to change
without notice.

Toutes les caractéristiques sont susceptibles
d'être modifiées sans préavis.

Änderungen ohne vorherige Bekanntgabe
vorbehalten.

Tutti i dati tecnici possono cambiare
senza preavviso.

Alle specificaties kunnen zonder voorafgaande
kennisgeving worden gewijzigd.

Kaikki oikeudet teknisten tietojen
muutoksiin pidätetään.

Kaikki yksityiskohdat voivat muuttua ilman,
etta niistä erikseen ilmoitetaan.

Todas las especificaciones están sujetas a
cambios sin previo aviso.

Todas as especificações estão sujeitas a
alteração sem aviso.

Moguće su promjene bez prethodnih najava.

Možne so spremembe brez predhodnih najav.

Manufactured by
Zhuhai Prokan Relaxation Equipment Co., Ltd.
Jinfa Industrial Area Of Jinding Town, Zhuhai,
Guangdong, China

PK000242019AE 12 / 2019

(IE) (GB) NOTE: This information is a guide only. Items included in your BBQ specification may differ depending on region or specific dealer specification.

(CH) (FR) NOTE: Ces renseignements sont donnés à titre indicatif. Il est possible que les articles inclus dans les spécifications de votre barbecue diffèrent selon la région ou les caractéristiques stipulées par le concessionnaire.

(AT) (CH) (DE) ANMERKUNG: Diese Anleitung dient nur zu Informationszwecken. Einzelteile der Grillspezifikation sind unter Umständen verschieden entsprechend der Vertriebsregion oder bestimmten Händleranforderungen.

(CH) (IT) AVVERTENZA: Queste informazioni hanno il valore di guida soltanto. Gli articoli compresi nelle caratteristiche tecniche del barbecue potrebbero variare a seconda della regione o del concessionario.

(BE) (NL) ATTENTIE: Deze informatie is alleen bedoeld als gids. Onderdelen in uw BBQ specificatie en pakket kunnen per regio of per dealer verschillen.

(SE) ANM.: Denna information är endast avsedd som handledning. Specifikationerna för grillen kan variera regionalt eller beroende på de krav som olika återförsäljare har.

(FI) HUOMATKAA: Nämä tiedot ovat pelkästään suuntaa antavia. Ostamanne grillin yksityiskohdat voivat olla erilaiset paikkakunnan tai erityisten myyjäkohtaisten yksityiskohtien mukaan.

(ES) NOTA: Esta información es una guía únicamente. Es posible que las indicaciones incluidas en las especificaciones de su Asador sean diferentes según la región o las especificaciones específicas del representante.

(PT) NOTA: Esta informação é simplesmente um guia. Os itens incluídos na especificação do seu BBQ poderão diferir dependendo da especificação da região ou do vendedor específico.

(DK) NB: Denne information er kun vejledende. Specifikationer kan variere efter ønske fra forhandler, eller i henhold til nationale regler.

(NO) NB: Denne informasjon er kun veiledende. Spesifikasjoner kan variere som stipulert av forhandler, eller i henhold til nasjonale krav.

(HR) UPOZORENJE: Ova uputa služi samo u informativne svrhe. Pojedini dijelovi specifikacije roštilja su različiti od onih koji su propisani Vašim mjestom boravka ili koje su propisali razni distributeri i ovlaštenici za plinske roštilje.

(SI) OPOZORILO: Ta navodila so samo informativne narave. Posamezni deli iz specifikacije žara so lahko različni od tistih, kateri so predpisani v vaši regiji ali katere so predpisali distributerji in pooblašeni zastopniki za plinske žare.