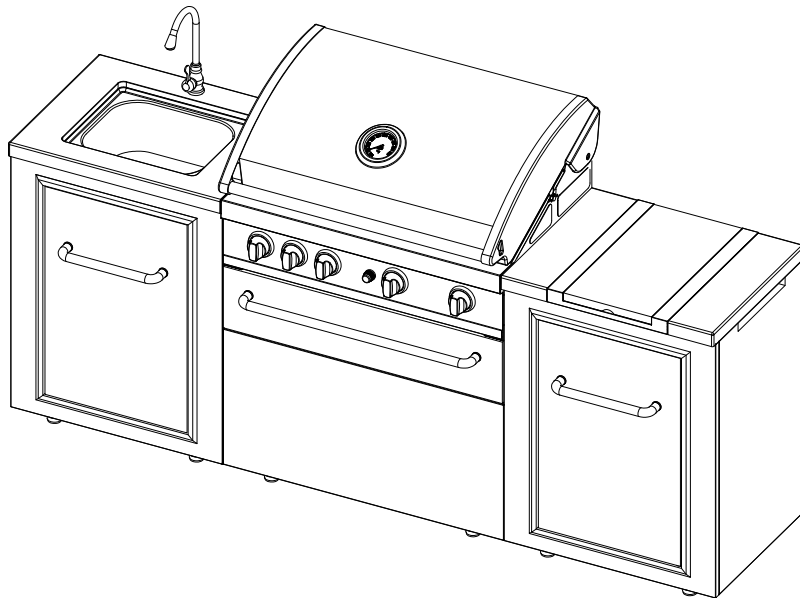


CE 2575-21

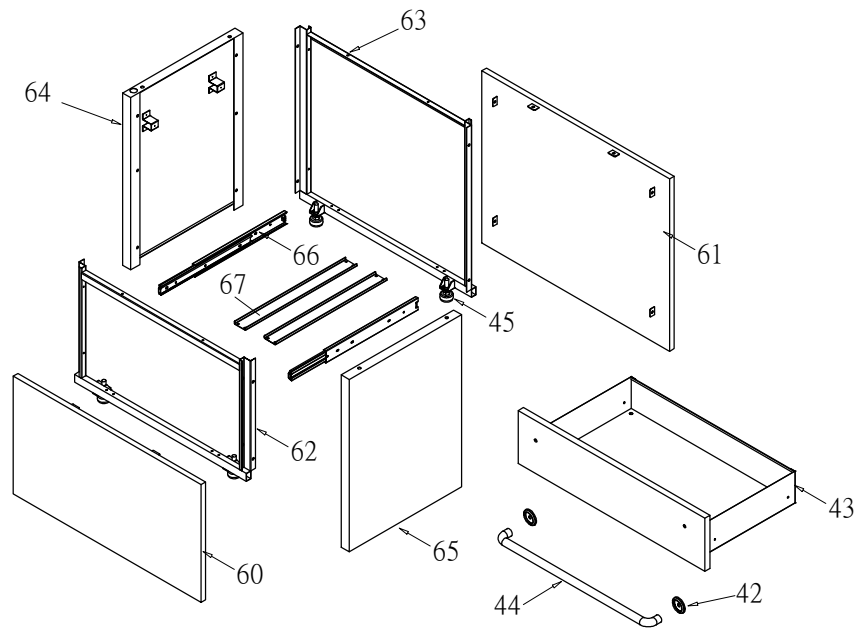
grandhall[®]
australian bbq style

gas barbecue cart

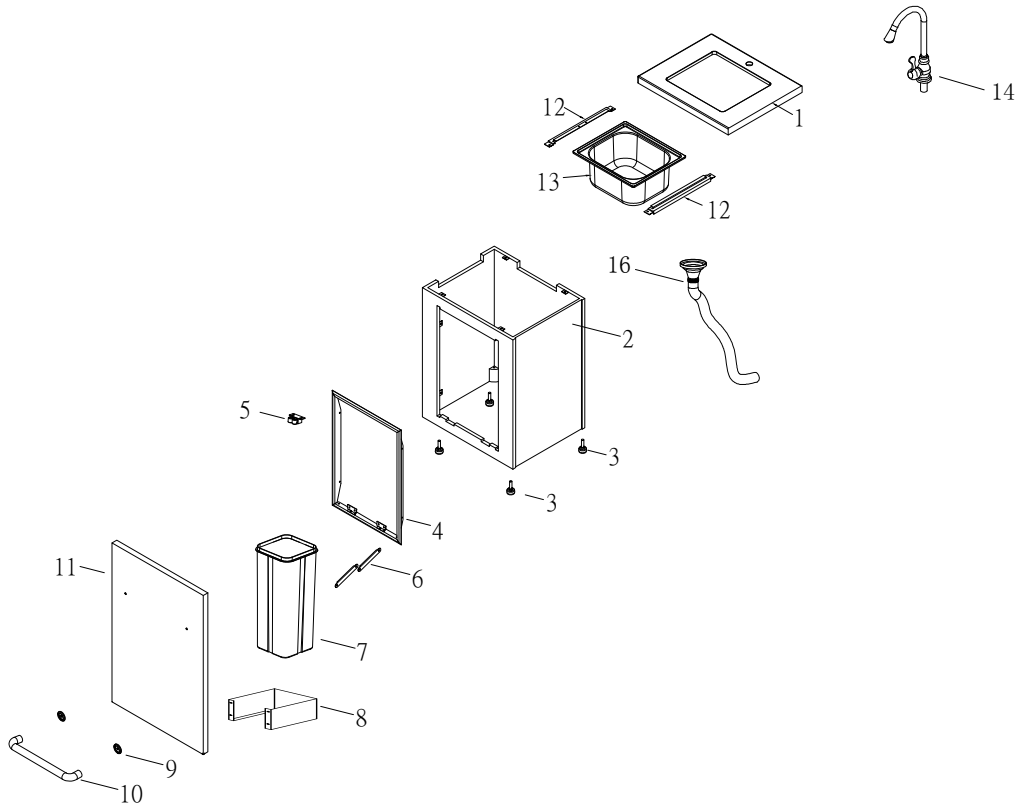


- ⒾⒺ ⒸⒹ Assembly instructions
- ⒸⒻ ⒻⒼ Instructions d'assemblage
- Ⓐ⒢ ⒸⒻ ⒹⒺ Montageanweisungen
- ⒸⒻ ⒾⒹ Istruzioni per il montaggio
- ⒸⒺ ⒼⒻ Montage-instructies
- ⒸⒺ Montering
- ⒻⒼ Kokoamisohjeet
- Ⓔ⒮ Instrucciones de armado
- Ⓕ⒢ Instruções para Montagem
- ⒹⒼ Monteringsvejledning
- ⒼⒹ Montering
- ⒻⒼ Upute za montažu
- ⒸⒻ Navodila za montažo

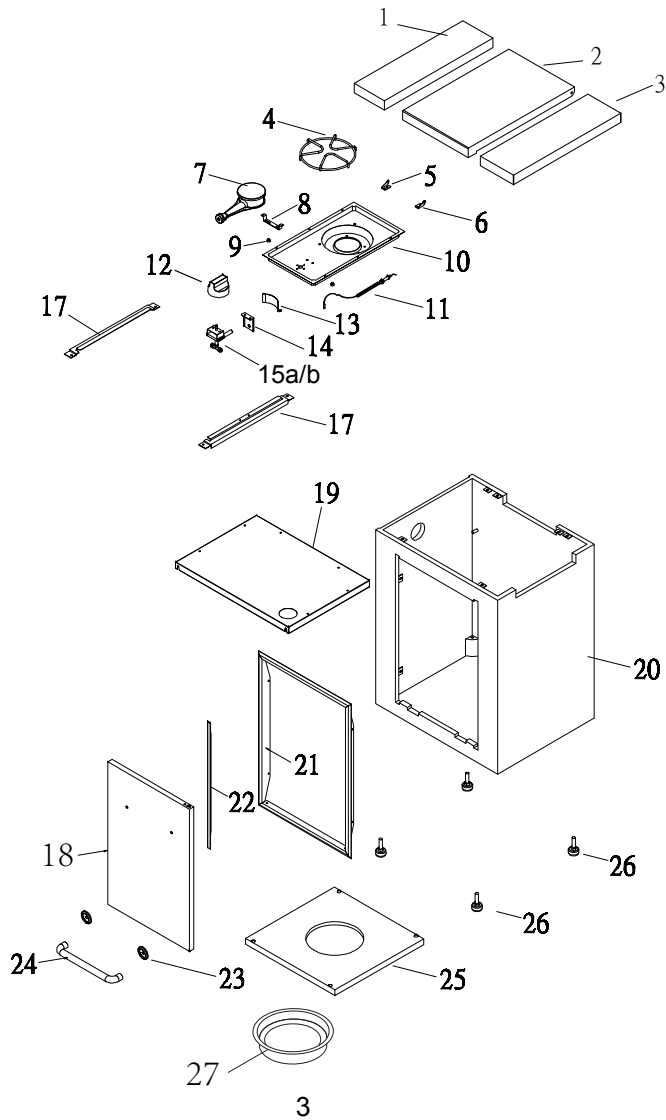
Parts Diagram for Grill



Parts Diagram for Left Cabinet



Parts Diagram for Right Cabinet



Parts List for Grill

42	Drawer handle bezel	S0167-65	2
43	Drawer Assembly	S0157-59Z	1
44	Drawer Handle	S0157-13	1
45	Adjustable Level	S0202-15	4
60	Cart Panel, Front	S0211-09	1
61	Cart Panel, Rear	S0211-10	1
62	Cart Panel Frame, Front	S0157-05Z	1
63	Cart Panel Frame, Rear	S0157-06Z	1
64	Cart Panel, Left	S0157-04Z-A	1
65	Cart Panel, Right	S0157-04Z-B	1
66	Drawer Slide Set	S0205-45	1 set
67	Cart Panel Frame Connecting Bracket	S0157-16	2

Parts List for Left Cabinet

KEY	DESCRIPTION	PART#	QTY
1	Left Cabinet Panel, Top	S0211-11	1
2	Left Cabinet	S0211-16	1
3	Adjustable Level	S0202-15	4
4	Door Trim Frame	S0157-34Z1	1
5	Door Hardware	S0202-13	1
6	Door Latch	S0202-10	2
7	Trash Bin	S0202-47	1
8	Trash Bin Holder	S0202-46	1
9	Handle Bezel	S0167-65	2
10	Door Handle	S0100-15	1
11	Door	S0202-05	1
12	Sink Bracket	S0211-21	2
13	Sink	S0170-17-S304	1
14	Tap	S0211-02	1
16	Drain pipe assembly	S0155-38Z	1

Parts List for Right Cabinet

KEY	DESCRIPTION	PART#	QTY
1	Right Cabinet Panel, Top/Left	S0211-17	1
2	Side Burner Lid	S0211-19	1
3	Right Cabinet Panel, Top/Right	S0211-18	1
4	Side Burner Pot Support	S0003-48	1
5	Side Burner Lid Bracket, Left	S0157-45A	1
6	Side Burner Lid Bracket, Right	S0157-45B	1
7	Side Burner	S0210-03	1
8	Side Burner Bracket	S0167-60	1
9	Protective Pad	S0128-35	2
10	Side Burner Body	S0157-43B	1
11	Side Burner Electrode with Wire	S0205-42	1
12	Side Burner Control Knob	S0157-46	1
13	Side Burner Control Knob Heat Shield	S0157-63	1
14	Side Burner Orifice Bracket	S0149-46	1
15	Gas Valve/Side Burner-LP	S0149-67B	1
17	Side Burner Body Bracket	S0157-44	2
18	Door	S0157-39	1
19	Middle Tray	S0157-27	1
20	The Right Cabinet	S0211-26	1
21	Door Trim Frame	S0157-34Z2	1
22	Door Trim Plate	S0157-41	1
23	Handle Bezel	S0167-65	2
24	Door Handle	S0100-15	1
25	Bottom Shelf, Right Cabinet-LP	S0211-27	1
26	Level Adjuster	S0202-15	4
27	Gas cylinder frame	S0118-61A	1

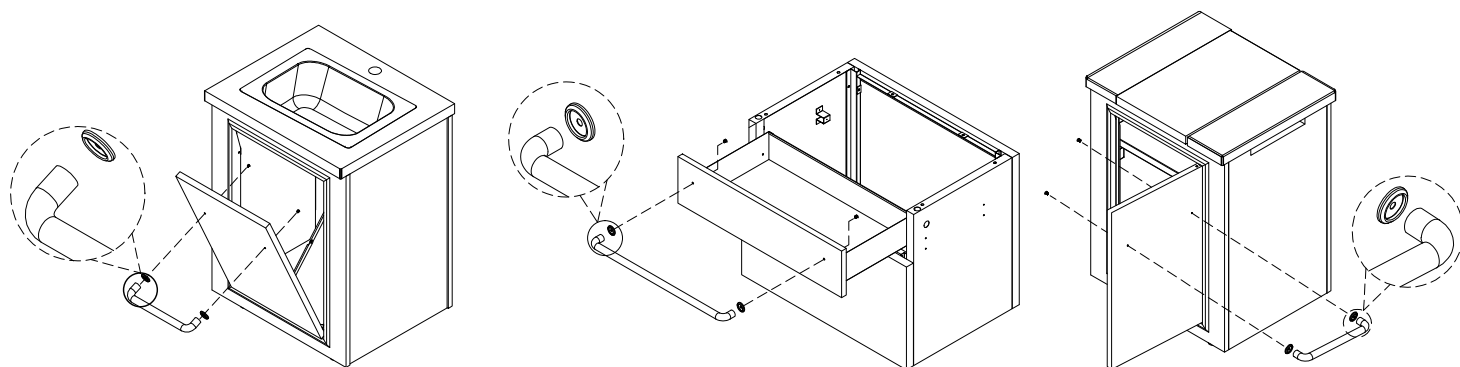
Assembly Instructions

CAUTION : To assemble this grill, you should obtain assistance from another person when handling some of the larger, heavier pieces.

1

Assemble handles onto the left, right cabinets and the front drawer.

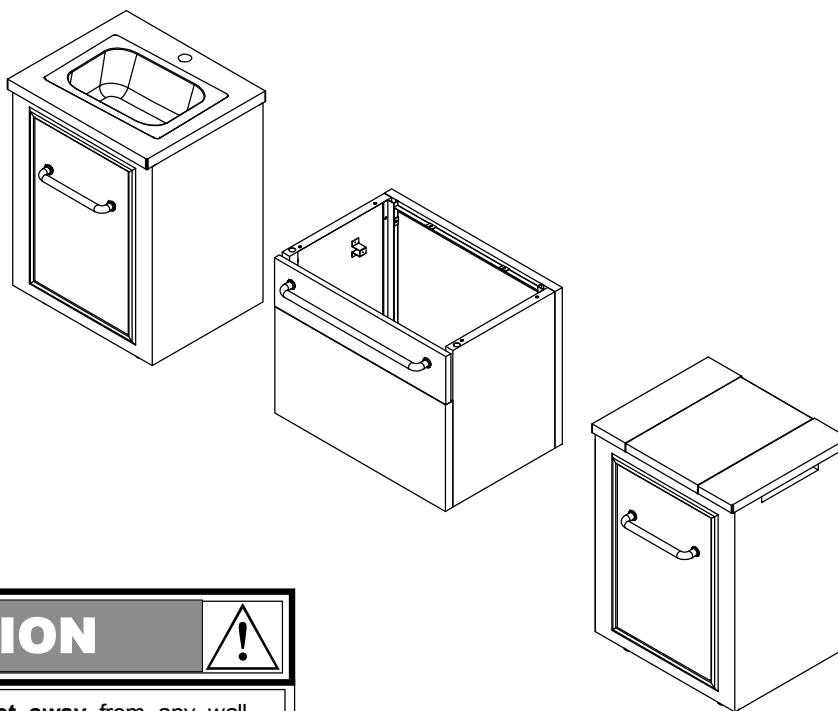
- Please remove off the screws from the handle and then assemble the handle on the cabinet doors and drawer with handle bezel.



2

Assemble Island Set

- Open both cartons and remove all packing materials.
- Open Grill Lid and remove packing materials.
- Align the 3 individual components and slide them together carefully.



CAUTION

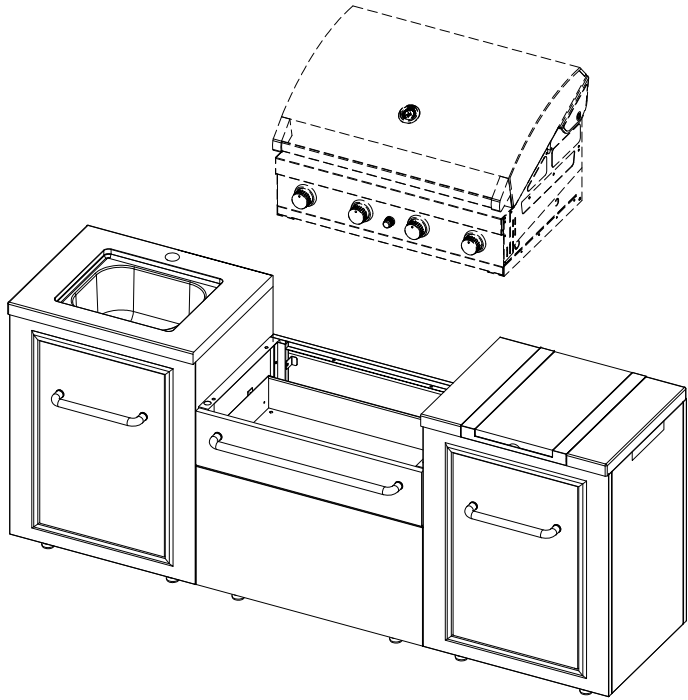


Use your grill at least **3 feet away** from any wall or surface.

Do not obstruct the flow of air for combustion and ventilation.

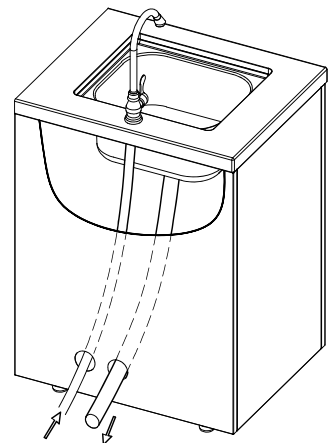
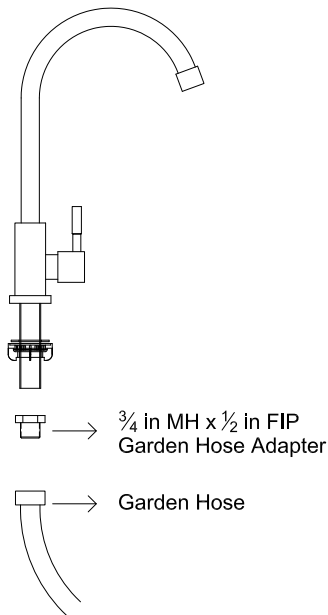
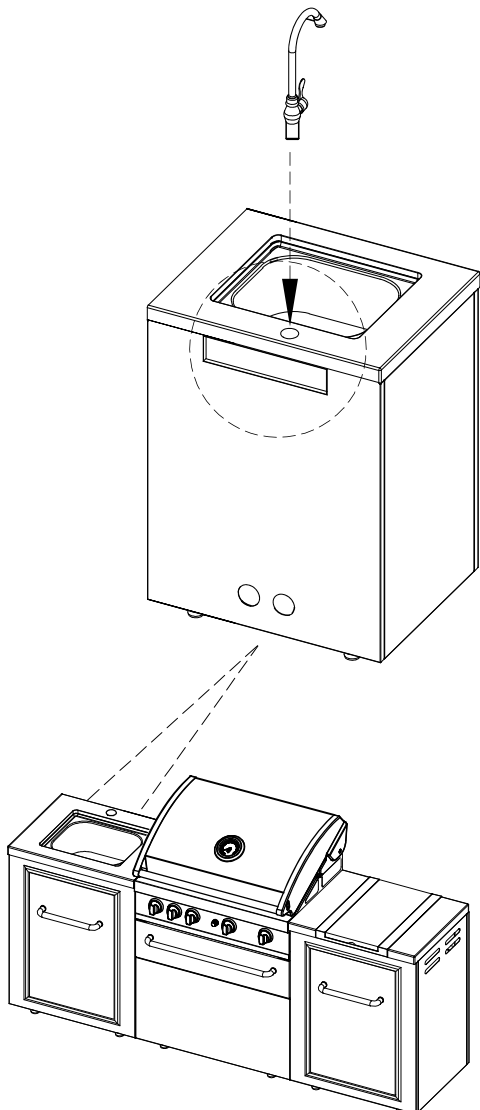
DO NOT lift Grill Island units from the table top surfaces when moving or assembling Island set.

3 Install the Grill



4 Install Sink Faucet

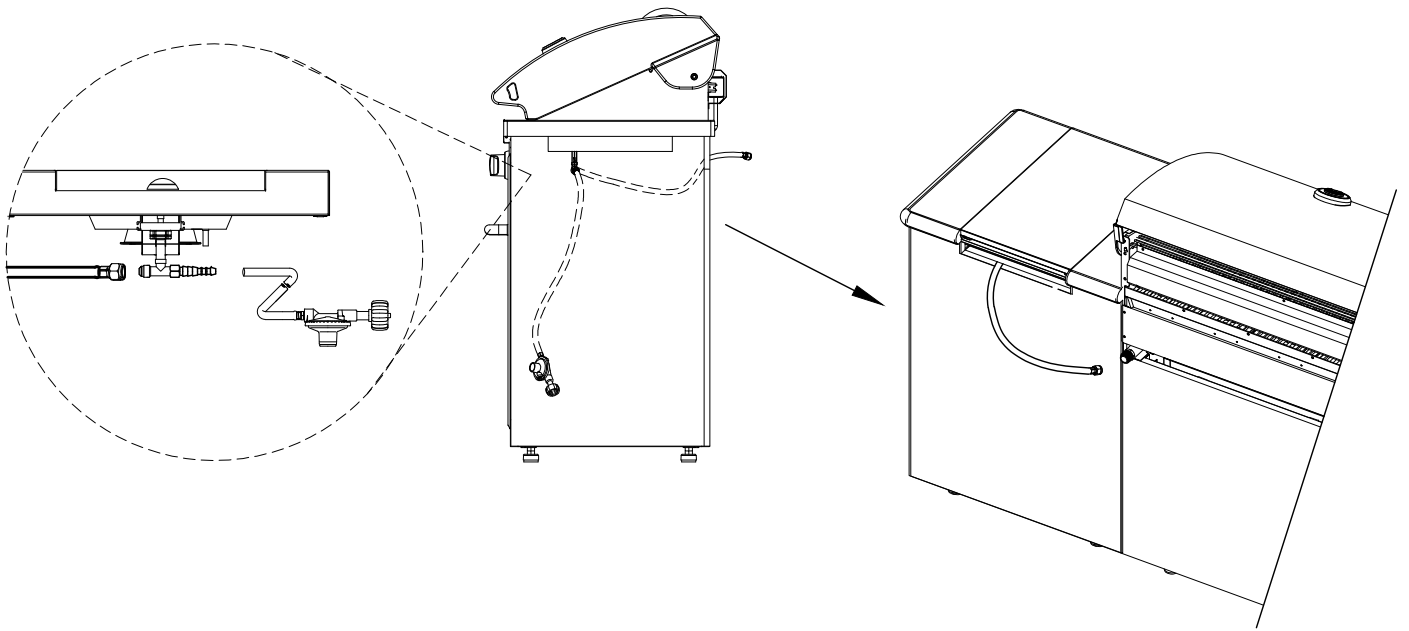
Suggested faucet fitting



WARNING: Risk of personal injury. Metal surfaces are sharp and can cause severe cuts. Use gloves and handle sink edges carefully.

5

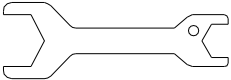
Connect Side Burner Connection Hose



6

Adjust Island Assembly Set for Leveling (on uneven ground).

- Adjustable Level are located underside of the Island Assembly as shown.
- If the Island sets are not level with each others, adjust the 12 preassembled Adjustable Level using the wrench provided.
 - Turn the adjusters clockwise to raise the height of the Island.
 - Turn the adjusters counterclockwise to lower the Island.
- After leveling, double check for making sure that all the adjusters touch the ground.
- IMPORTANT:** For illustration purpose the Island Assembly Set is shown on a tilted angle. **FOR YOUR SAFETY, DO NOT TILT** your Island Assembly at any time.

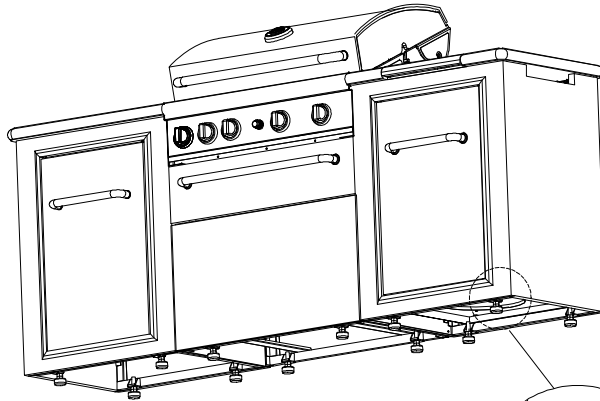


Wrench

Qty. 1

Part # P05515021G

(Already packed in the Operator's Manual packaging.)



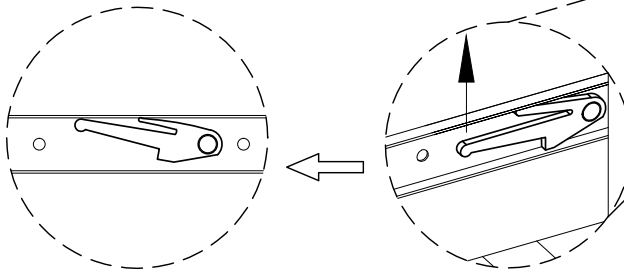
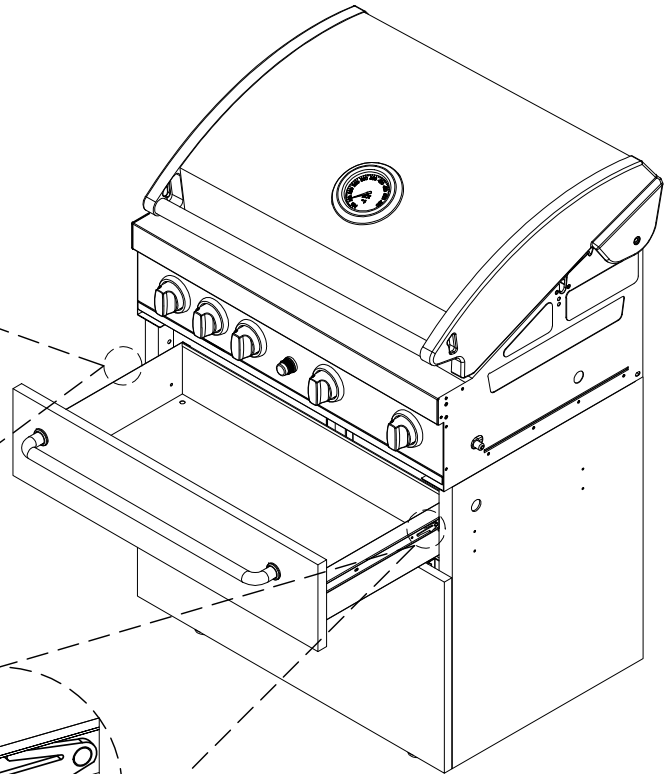
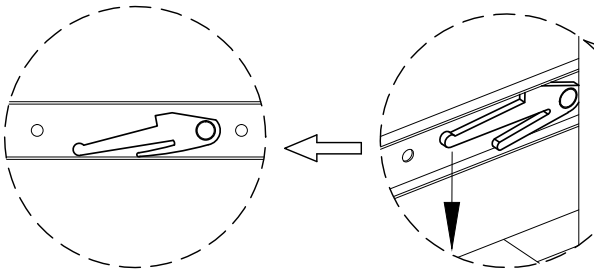
Adjustable Level

Wrench

Drawer Removal instruction

1 To Remove the drawer : follow the instruction below to remove the drawer.

Press down the click on the Left side



Pull up the click on the Right side

Grand Hall Europe B.V.

Tolstraat 17a

7482 DC Haaksbergen

The Netherlands

www.grandhall.eu

- (IE) (GB) NOTE:** This information is a guide only. Items included in your BBQ specification may differ depending on region or specific dealer specification.
- (CH) (FR) NOTE:** Ces renseignements sont donnés à titre indicatif. Il est possible que les articles inclus dans les spécifications de votre barbecue diffèrent selon la région ou les caractéristiques stipulées par le concessionnaire.
- (AT) (CH) (DE) ANMERKUNG:** Diese Anleitung dient nur zu Informationszwecken. Einzelteile der Grillspezifikation sind unter Umständen verschieden entsprechend der Vertriebsregion oder bestimmten Händleranforderungen.
- (CH) (IT) AVVERTENZA:** Queste informazioni hanno il valore di guida soltanto. Gli articoli compresi nelle caratteristiche tecniche del barbecue potrebbero variare a seconda della regione o del concessionario.
- (BE) (NL) ATTENTIE:** Deze informatie is alleen bedoeld als gids. Onderdelen in uw BBQ specificatie en pakket kunnen per regio of per dealer verschillen.
- (SE) ANM.:** Denna information är endast avsedd som handledning. Specifikationerna för grillen kan variera regionalt eller beroende på de krav som olika återförsäljare har.
- (FI) HUOMATKAA:** Nämä tiedot ovat pelkästään suuntaa antavia. Ostamanne grillin yksityiskohdat voivat olla erilaiset paikkakunnan tai erityisten myyjäkohtaisten yksityiskohtien mukaan.
- (ES) NOTA:** Esta información es una guía únicamente. Es posible que las indicaciones incluidas en las especificaciones de su Asador sean diferentes según la región o las especificaciones específicas del representante.
- (PT) NOTA:** Esta informação é simplesmente um guia. Os itens incluídos na especificação do seu BBQ poderão diferir dependendo da especificação da região ou do vendedor específico.
- (DK) NB:** Denne information er kun vejledende. Specifikationer kan variere efter ønske fra forhandler, eller i henhold til nationale regler.
- (NO) NB:** Denne informasjon er kun veiledende. Spesifikasjoner kan variere som stipulert av forhandler, eller i henhold til nasjonale krav.
- (HR) UPOZORENJE:** Ova uputa služi samo u informativne svrhe. Pojedini dijelovi specifikacije roštilja su različiti od onih koji su propisani Vašim mjestom boravka ili koje su propisali razn distributeri i ovlaštenici za plinske roštilje.
- (SI) OPOZORILO:** Ta navodila so samo informativne narave. Posamezni deli iz specifikacije žara so lahko različni od tistih, kateri so predpisani v vaši regiji ali katere so predpisali distributerji in pooblaščenici zastopniki za plinske žare.

All specifications are subject to change without notice.

Toutes les caractéristiques sont susceptibles d'être modifiées sans préavis.

Änderungen ohne vorherige Bekanntgabe vorbehalten.

Tutti i dati tecnici possono cambiare senza preavviso.

Alle specificaties kunnen zonder voorafgaande kennisgeving worden gewijzigd.

Kaikki oikeudet teknisten tietojen muutoksiin pidätetään.

Kaikki yksityiskohdat voivat muuttua ilman, että niistä erikseen ilmoitetaan.

Todas las especificaciones están sujetas a cambios sin previo aviso.

Todas as especificações estão sujeitas a alteração sem aviso.

Moguće su promjene bez prethodnih najava.

Možne so spremembe brez prethodnih najav.

Manufactured by

Zuhai Prokan Relaxation Equipment Co., Ltd.

Jinfa Industrial Area Of Jinding Town, Zuhai,
Guangdong, China

PK000102020BE 01/2020