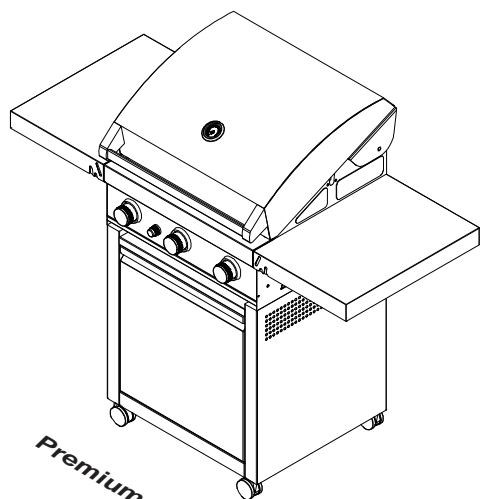
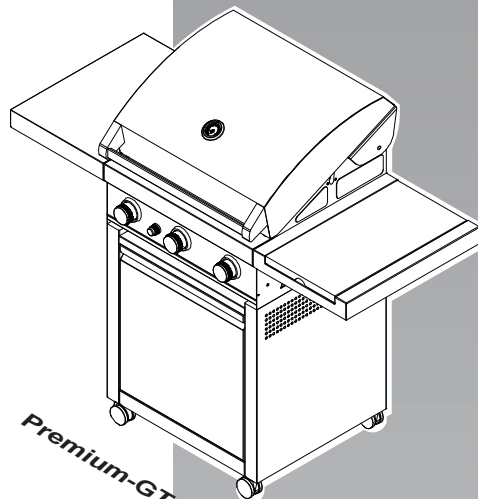


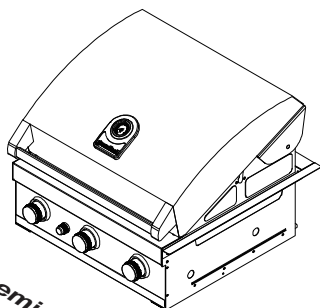
# gas barbecue



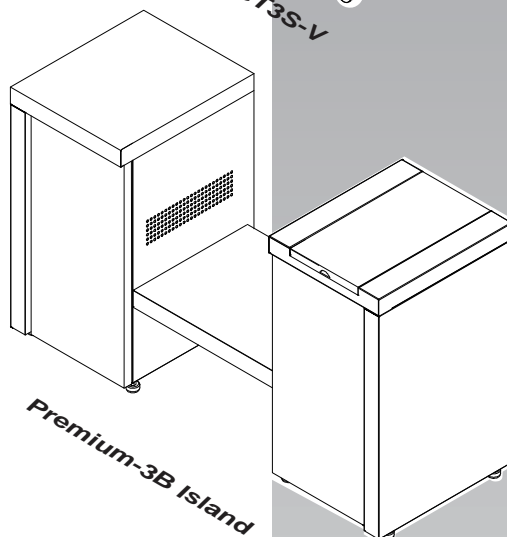
Premium-GT3FD-V



Premium-GT3S-V



Premium-GT3-V



Premium-3B Island

- (IE) (GB) Assembly instructions
- (CH) (FR) Instructions d'assemblage
- (AT) (CH) (DE) Montageanweisungen
- (CH) (IT) Istruzioni per il montaggio
- (BE) (NL) Montage-instructies
- (SE) Montering
- (FI) Kokoamisohjeet
- (ES) Instrucciones de armado
- (PT) Instruções para Montagem
- (DK) Monteringsvejledning
- (NO) Montering
- (HR) Upute za montažu
- (SI) Navodila za montažo

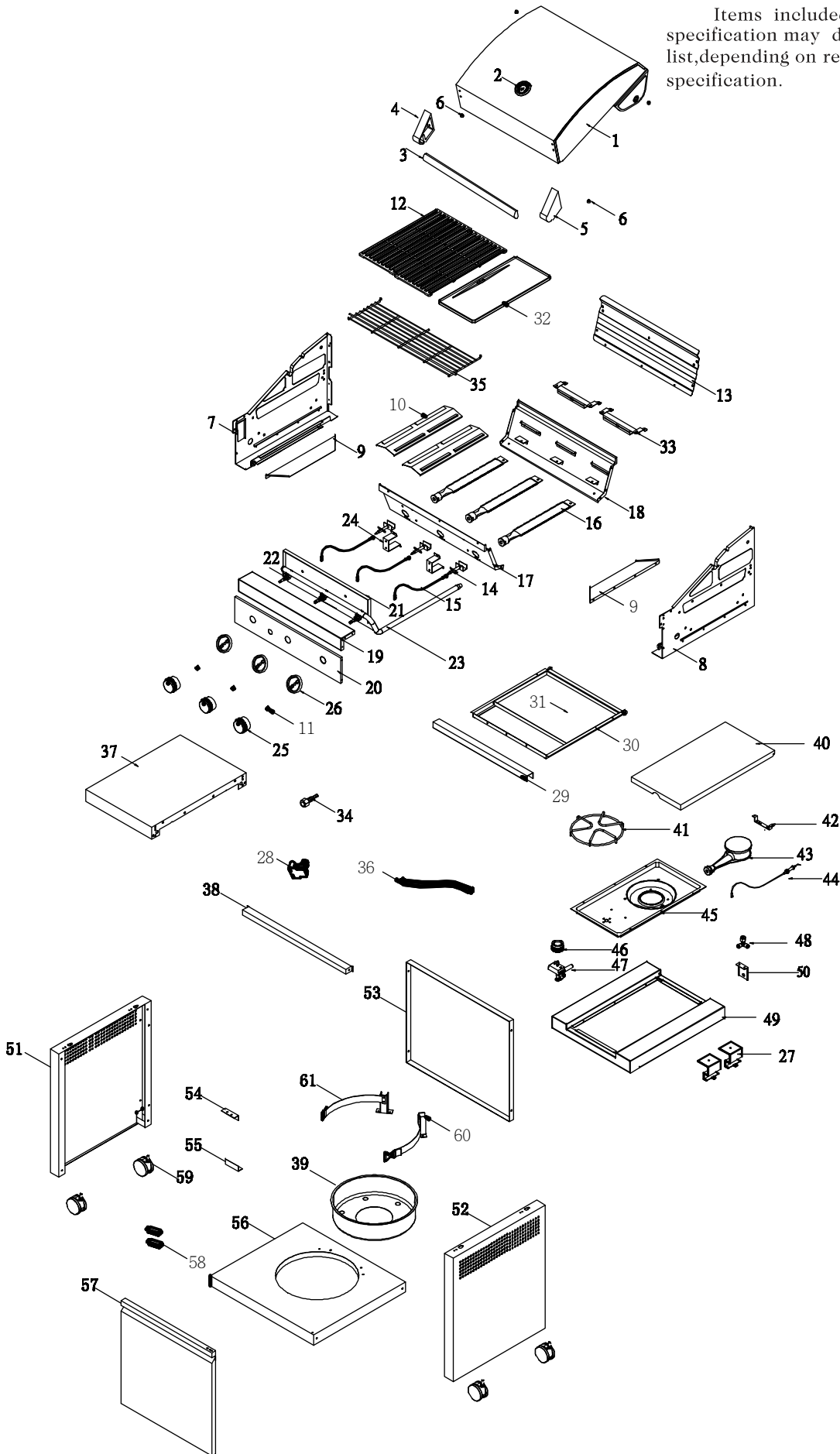
<i>PART LIST - GT3S-V</i>
---------------------------

<i>Ref</i>	<i>Description</i>	<i>Part No.</i>	<i>Qty</i>	<i>Ref</i>	<i>Description</i>	<i>Part No.</i>	<i>Qty</i>
1	Lid Assembly	P0014637FB	1	31	Grease Tray	P0271784PD	1
2	Temperature Gauge	P00601471C	1	32	Hotplate	P05701049H	1
3	Lid Handle	P00218012R	1	33	Crossfire box	P022123984	2
4	Lid Handle Seat (Left)	P03303124A	1	34	Adaptor-1/4 LH inlet	P03901024A	1
5	Lid Handle Seat (Right)	P03303125A	1	35	Warming Rack	P01505032J	1
6	Lid Rubber Pad	P05518002I	4	36	Hose	P03711039F	1
7	Bowl Panel, Left	P00761164A	1	37	Side Shelf, Left	P01102068C	1
8	Bowl Panel, Right	P00762154A	1	38	Cart Bracket, Front	P03301071U	1
9	Bowl Grease Shield	P06901030B	2	39	Gas cylinder housing	P04021013H	1
10	Flame Tamer	P01705041E	2	40	Side Shelf Lid	P00115551P	1
11	Knob Seat Spring	P05504021A	3	41	Side Shelf Pot Support	P00805010B	1
12	Cooking Grid	P01615048H	2	42	Side Burner Mounting Brakcet	P03327024D	1
13	Bowl Wind Shield	P0071642UA	1	43	Side Burner	P02004043F	1
14	Gas Collector Box with Electrode	P02609055A	3	44	Electrode- Side Burner	P02607060C	1
15	Electric Wire Set	P02615182A	1set	45	Side Shelf Body	P011030612	1
16	Main Burner	P02008085B	3	46	Control Knob - side burner	P03408101L	1
17	Bowl Panel, Front	P0073898UA	1	47	Valve- Side Burner	P03250007G	1
18	Bowl Panel, Rear	P0076011UA	1	48	Adaptor-1/4 LH inlet	P03904002A	1
19	Upper control Panel-30mbar	P02913732S	1	49	Side Shelf Trim Plate	P01103059C	1
	Upper control Panel-50mbar	P02913732T	1	50	Burner Bracket-Side Burner	P03303150U	1
20	Control Panel	P0291397IS	1	51	Trolley Panel, Left	P07617052U	1
21	Gas Valve Heat Shield	P03007266G	1	52	Trolley Panel, Right	P07618055U	1
22	Main Valve-without jet	P03239012A	3	53	Trolley Panel, Rear	P07624006U	1
23	Manifold	P05003302A	1	54	Door guid - upper	P05510144E	1
24	Gas Valve Heat Shield Bracket	P03327107A	2	55	Door guid - lower	P05510143E	1
25	Control knob - main burner	P03401477K	3	56	Trolley Bottom Panel	P01001112D	1
26	Knob Seat	P03415014S	3	57	Door	P04304019V	1
27	Side burner hose bracket	P03341002Q	2	58	Magnet seat	P05523001K	2
28	Electric Ignitor	P02502244C	1	59	2.5" caster	P05118004A	4
29	Grease Tray Handle	P00213041M	1	60	Tank holder	P04009036C	2
30	Grease Tray Holder Bracket	P03327114D	1	61	Tank Fastening Strap	P05314005V	1
					Hardware Pack	P06003196A	1

**GT3S-V Model**

This diagram is provided to assist you identify parts if replacement is necessary. Contact your place of purchase or the manufacturer to enquire about parts, availability and ou service.

Items included in your barbecue specification may differ from the parts list, depending on region or specific dealer specification.



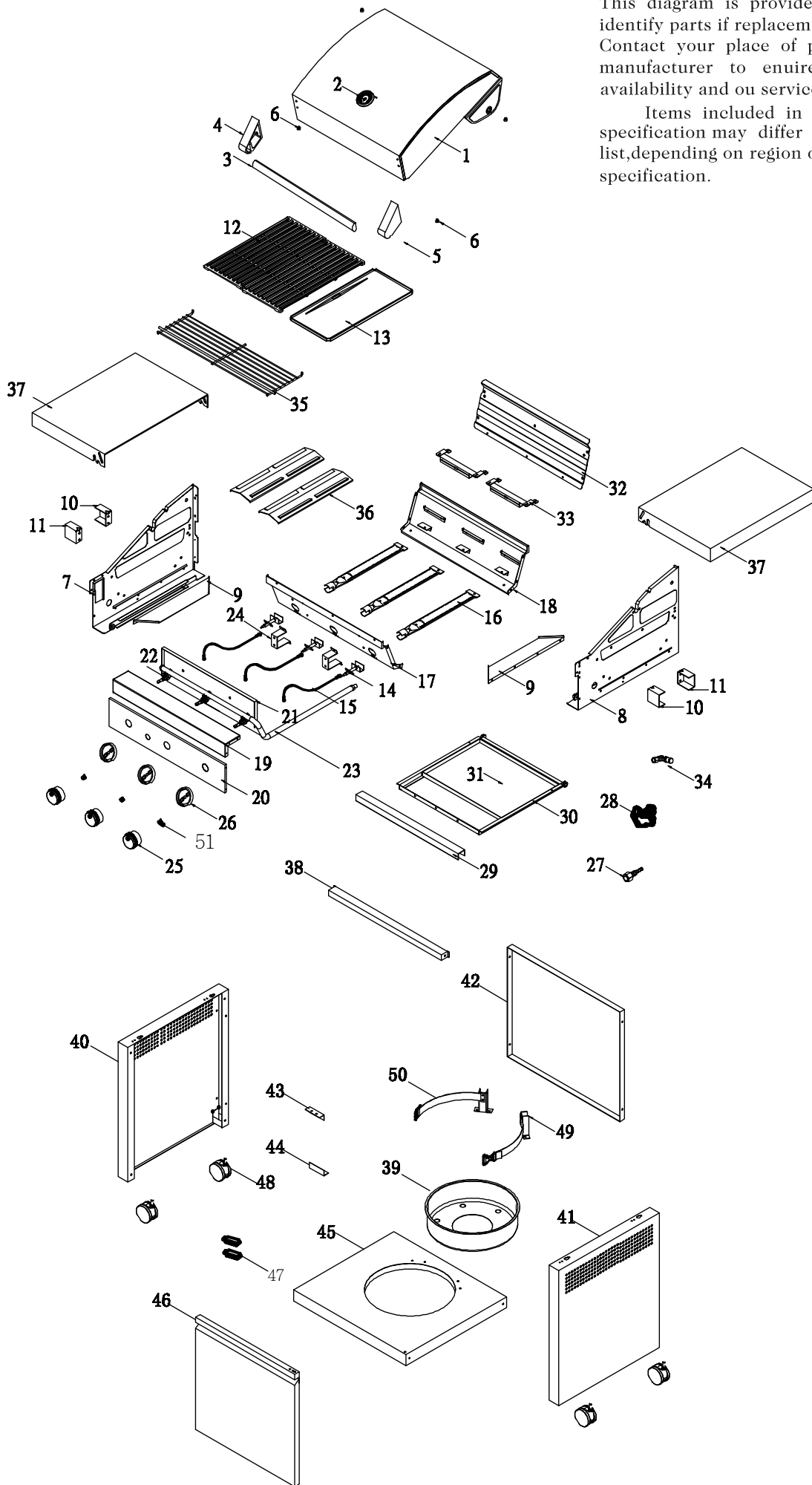
**PART LIST - GT3FD-V**

<i>Ref</i>	<i>Description</i>	<i>Part No.</i>	<i>Qty</i>	<i>Ref</i>	<i>Description</i>	<i>Part No.</i>	<i>Qty</i>
1	Lid Assembly	P0014637FB	1	26	Knob Seat	P03415014S	3
2	Temperature Gauge	P00601471C	1	27	Universal Hose Bar -1/4 LH inlet	P03901024A	1
3	Lid Handle	P00218012R	1	28	Electric Ignitor	P02502244C	1
4	Lid Handle Seat (Left)	P03303124A	1	29	Grease Tray Handle	P00213041M	1
5	Lid Handle Seat (Right)	P03303125A	1	30	Grease Tray Holder Bracket	P03327114D	1
6	Lid Rubber Pad	P05518002I	4	31	Grease Tray	P0271784PD	1
7	Bowl Panel, Left	P00761164A	1	32	Bowl Wind Shield	P0071642UA	1
8	Bowl Panel, Right	P00762154A	1	33	Crossfire box	P022123984	2
9	Bowl Grease Shield	P06901030B	2	34	Adaptor-1/4 LH inlet	P03902031A	1
10	Side Shelf Bracket,LF/RR	P03303151U	2	35	Warming Rack	P01505032J	1
11	Side Shelf Bracket,RF/LR	P03303152U	2	36	Flame Tamer	P01705041E	2
12	Cooking Grid	P01615048H	2	37	Side Shelf	P01101041N	2
13	Hotplate	P05701049H	1	38	Cart Bracket, Front	P03301071U	1
14	Gas Collector Box with Electrode	P02609055A	3	39	Gas cylinder housing	P04021013H	1
15	Electric Wire Set	P02615182A	1set	40	Trolley Panel, Left	P07617052U	1
16	Main Burner	P02008085B	3	41	Trolley Panel, Right	P07618055U	1
17	Bowl Panel, Front	P0073898UA	1	42	Trolley Panel, Rear	P07624006U	1
18	Bowl Panel, Rear	P0076011UA	1	43	Door guid - upper	P05510144E	1
19	Upper control Panel-30mbar	P02913732S	1	44	Door guid - lower	P05510143E	1
	Upper control Panel-50mbar	P02913732T	1	45	Trolley Bottom Panel	P01001112D	1
20	Control Panel	P0291396IS	1	46	Door	P04304019V	1
21	Gas Valve Heat Shield	P03007266G	1	47	Magnet seat	P05523001K	2
22	Main Valve-without jet	P03239012A	3	48	2.5" caster	P05118004A	4
23	Manifold	P05003302A	1	49	Tank holder	P04009036C	2
24	Gas Valve Heat Shield Bracket	P03327107A	2	50	Tank Fastening Strap	P05314005V	1
25	Control knob - main burner	P03401477K	3	51	Knob Seat Spring	P05504021A	3
					Hardware Pack	P06003195A	1

GT3FD-V Model

This diagram is provided to assist you identify parts if replacement is necessary. Contact your place of purchase or the manufacturer to enquire about parts, availability and ou service.

Items included in your barbecue specification may differ from the parts list, depending on region or specific dealer specification.



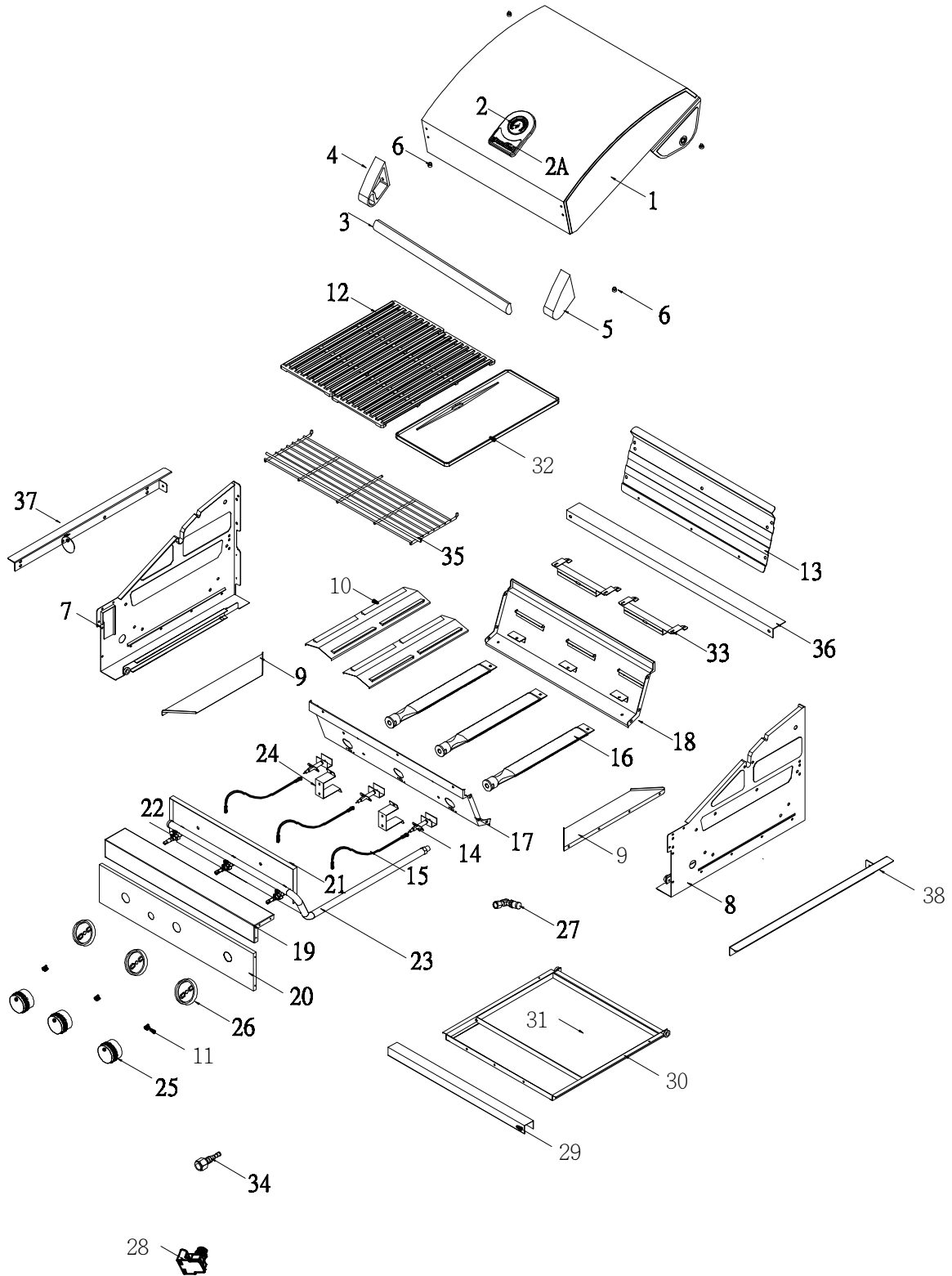
PART LIST - GT3-V
-------------------

<i>Ref</i>	<i>Description</i>	<i>Part No.</i>	<i>Qty</i>
1	Lid Assembly	P0014637FB	1
2	Temperature Gauge	P00601484C	1
2A	Name plate	P00407036A	1
3	Lid Handle	P00218012R	1
4	Lid Handle Seat (Left)	P03303124A	1
5	Lid Handle Seat (Right)	P03303125A	1
6	Lid Rubber Pad	P05518002I	4
7	Bowl Panel, Front	P0073898UA	1
8	Bowl Panel, Rear	P0076011UA	1
9	Bowl Grease Shield	P06901030B	2
10	Flame Tamer	P01705041E	2
11	Knob Seat Spring	P05504021A	3
12	Cooking Grid	P01615048H	2
13	Bowl Wind Shield	P0071642UA	1
14	Gas Collector Box with Electrode	P02609055A	3
15	Electric Wire Set	P02615182A	1Set
16	Main Burner	P02008085B	3
17	Bowl Panel, Left	P00761274A	1
18	Bowl Panel, Right	P00762264A	1
19	Upper control Panel-30mbar	P0291373FI	1
	Upper control Panel-50mbar	P0291373FJ	1
20	Control Panel	P0291398IS	1
21	Gas Valve Heat Shield	P03007266G	1
22	Main Valve-without jet	P03239012A	3
23	Manifold	P05003302A	1
24	Gas Valve Heat Shield Bracket	P03327107A	2
25	Control knob - main burner	P03401477K	3
26	Knob Seat	P03415014S	3
27	Adaptor-1/4 LH inlet	P03902031A	1
28	Electric Ignitor	P02502244C	1
29	Grease Tray Handle	P00213041M	1
30	Grease Tray Holder Bracket	P03327114D	1
31	Grease Tray	P0271784PD	1
32	Hotplate	P05701049H	1
33	Crossfire box	P022123984	2
34	Universal Hose Bar -1/4 LH inlet	P03901024A	1
35	Warming Rack	P01505032J	1
36	Bowl support bracket- Left	P075140614	1
37	Bowl support bracket- Right	P075140624	1
38	Bowl support bracket- Rear	P075140644	1
	Hardware Pack	P06027003A	1

GT3--V Model

This diagram is provided to assist you identify parts if replacement is necessary. Contact your place of purchase or the manufacturer to enquire about parts, availability and ou service.

Items included in your barbecue specification may differ from the parts list,depending on region or specific dealer specification.



## PART LIST - 3B-Island

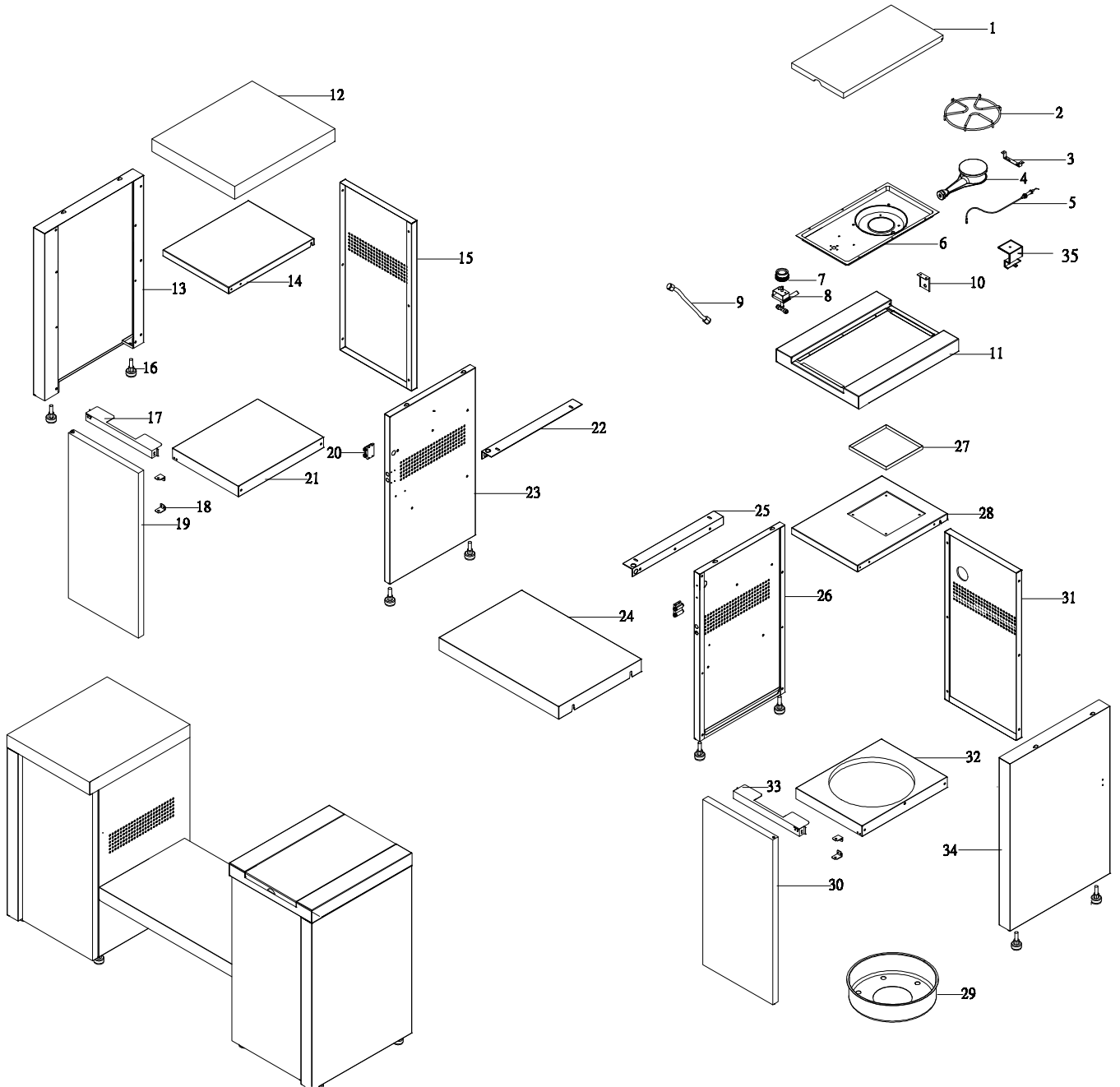
<i>Ref</i>	<i>Description</i>	<i>Part No.</i>	<i>Qty</i>
1	Side Shelf Lid	P0011555E4	1
2	Side Shelf Pot Support	P00805010B	1
3	Side Burner Mounting Brakcet	P03327024D	1
4	Side Burner	P02004043F	1
5	Electrode- Side Burner	P02607060C	1
6	Side Shelf Body	P011030612	1
7	Control Knob - side burner	P03401467Z	1
8	Valve- Side Burner -1/4 LH inlet	P03250006G	1
9	Hose	P03711039F	1
10	Burner Bracket-Side Burner	P03303150U	1
11	Side Shelf Trim Plate	P011030594	1
12	Side Shelf, Left	P011020674	1
13	Left cabinet - left panel	P076050434	1
14	Left cabinet - storage shelf	P01001097A	1
15	Left cabinet - rear panel	P07702126J	1
16	Level Adjuster	P05322004A	8
17	Left cabinet - front bracket	P03301074A	1
18	Door hinge bracket	P033130492	4
19	Door, Left	P04302062B	1
20	Magnet seat	P05351004B	2
21	Left cabinet - bottom shelf	P01001098A	1
22	Bowl support bracket-left	P033050992	1
23	Left cabinet - right panel	P07605042D	1
24	Partition panel	P010020852	1
25	Bowl support bracket-right	P033051002	1
26	Right cabinet - left panel	P07605048U	1
27	Grease Tray- side burner	P0271808ND	1
28	Right cabinet - storage shelf	P01001107A	1
29	Gas cylinder housing	P04021013H	1
30	Door, Right	P04303062B	1
31	Right cabinet - rear panel	P07606052U	1
32	Right cabinet - bottom shelf	P010011132	1
33	Right cabinet - front bracket	P033010752	1
34	Right cabinet - right panel	P076060474	1
35	Side burner hose bracket	P03341002Q	1
	Hardware Pack	P06028032A	1



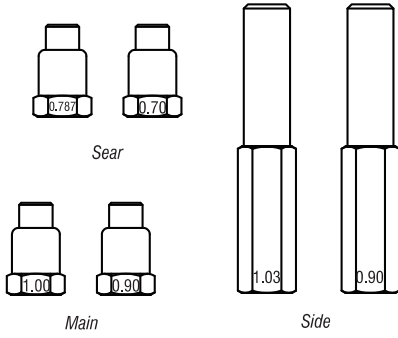
### 3B-Island Model

This diagram is provided to assist you identify parts if replacement is necessary. Contact your place of purchase or the manufacturer to enquire about parts, availability and ou service.

Items included in your barbecue specification may differ from the parts list,depending on region or specific dealer specification.



## INJECTOR

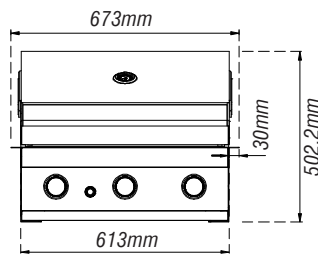
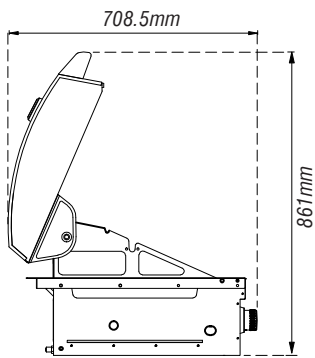


• Main	1.00 mm	- I 3+ (28-30/37)
		- I 3B/P (30)
	0.90 mm	- I 3B/P (50)
• Side	1.03 mm	- I 3+ (28-30/37)
		- I 3B/P (30)
	0.90 mm	- I 3B/P (50)
• Sear	0.787 mm	- I 3+ (28-30/37)
		- I 3B/P (30)
	0.70 mm	- I 3B/P (50)

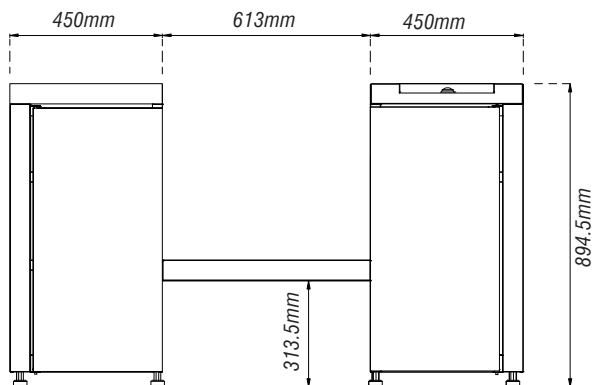
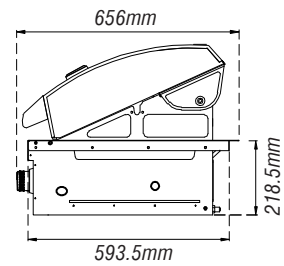
## INPUT

• Main	3 burner	12.6 kW	- 915 grams / h
• Side		4.4 kW	- 319 grams / h
• Sear		2.5 kW	- 182 grams / h

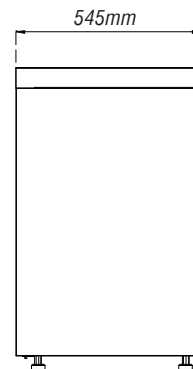
## DIMENSIONS



GT3-V

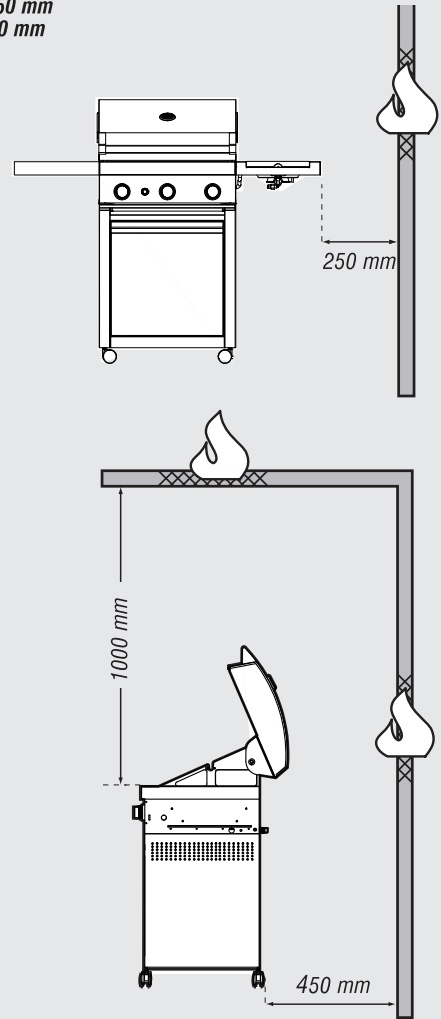


3B-Island

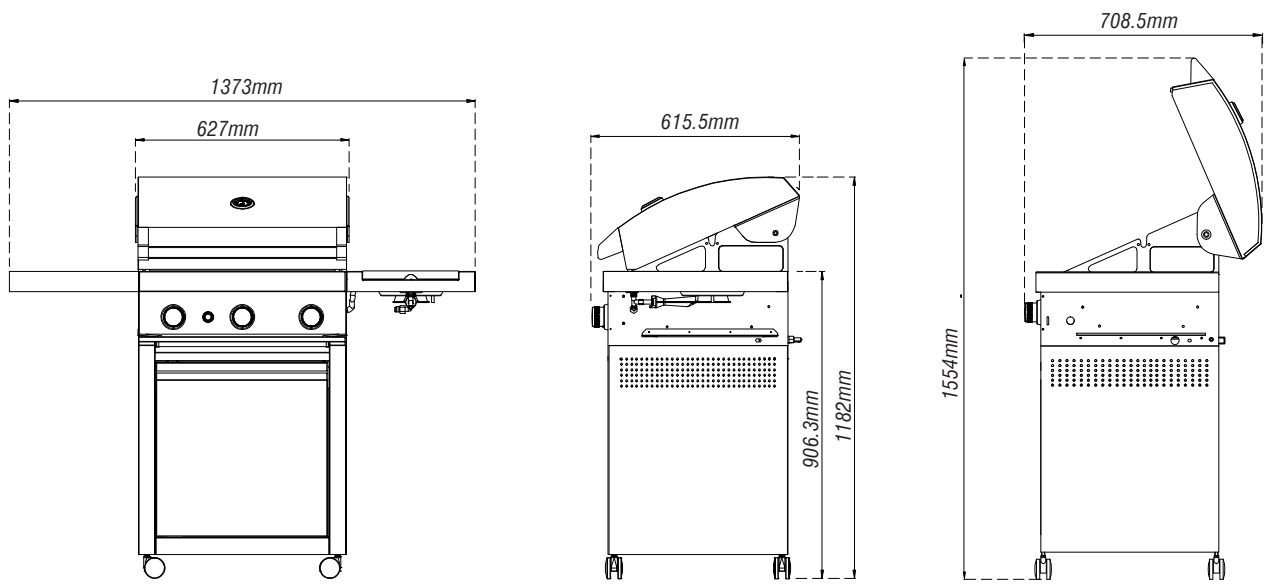


## WARNINGS INFORMATION

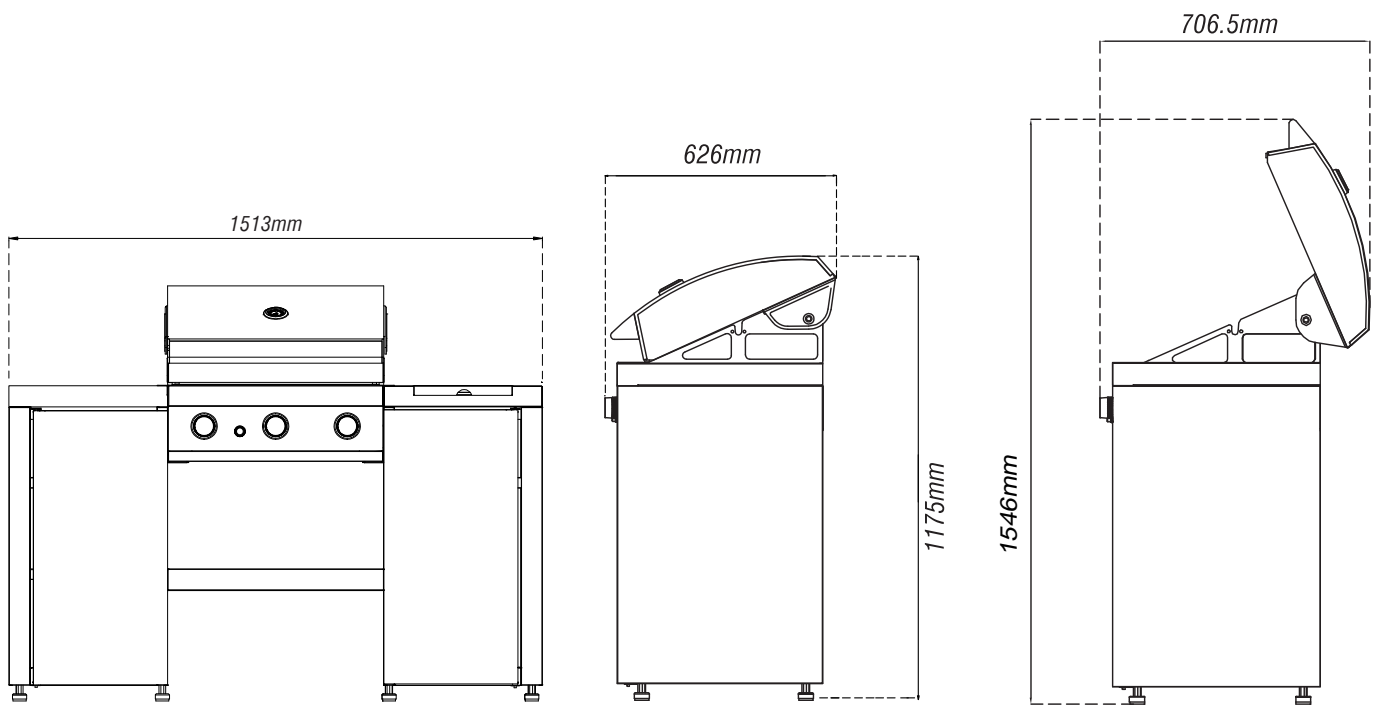
- **MINIMUM CLEARANCES FROM COMBUSTIBLE MATERIALS MUST BE:**  
**REAR - 450 mm**  
**SIDES - 250 mm**  
**TOP - 1000 mm**



**DIMENSIONS**



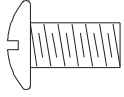
GT3FD-V/GT3S-V



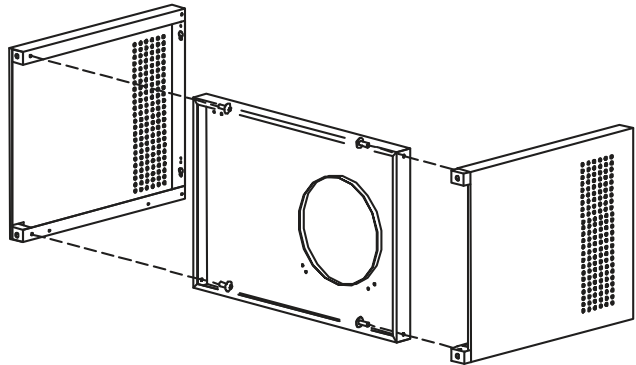
3B-Island + GT3-V

**ASSEMBLY - GT3FD-V/GT3S-V Model**

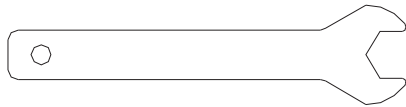
**1. Install Trolley Side Panels onto Trolley Bottom Shelf**



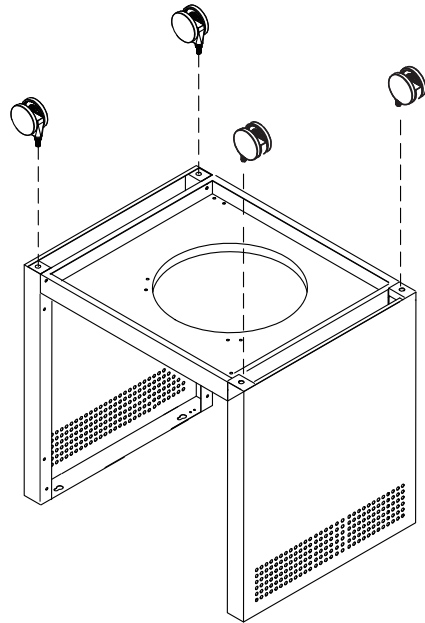
Phillips Head Screw 1/4"x1/2"  
Qty.4



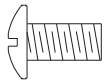
**2. Install Casters**



Spanner  
Qty.1



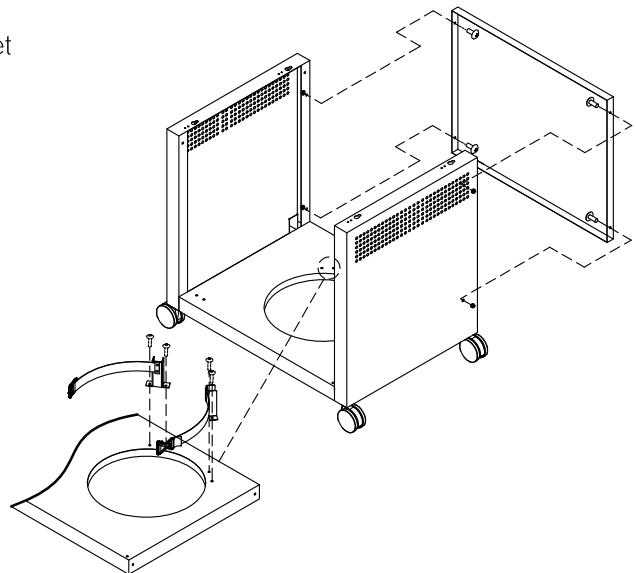
**3. Install Trolley Rear Panel and gas cylinder bracket**



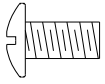
Phillips Head Screw 3/16"x3/8"  
Qty.8



Flange Nut 3/16"  
Qty.4



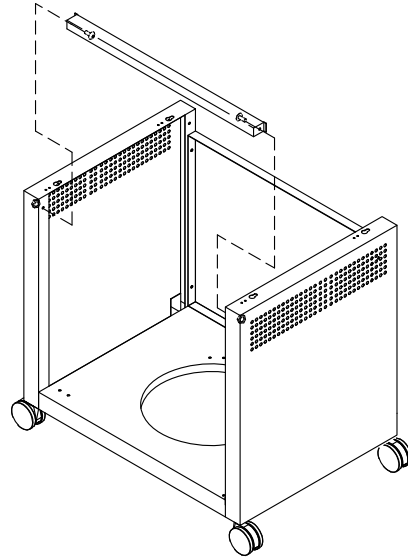
4. Install Door Bracket



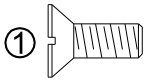
Phillips Head Screw 3/16"x3/8"  
Qty.2



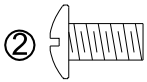
Flange Nut 3/16"  
Qty.2



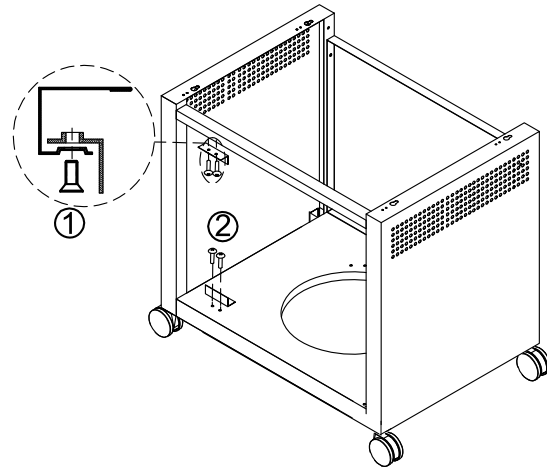
5. Install Door Stop Plate



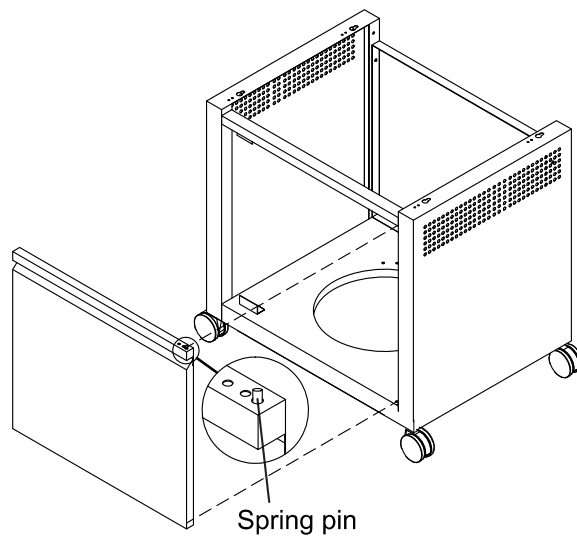
Countersunk Flat Head Screw 3/16"x3/8"  
Qty.2



Phillips Head Screw M5x10MM  
Qty.2

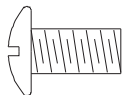


6. Install Doors

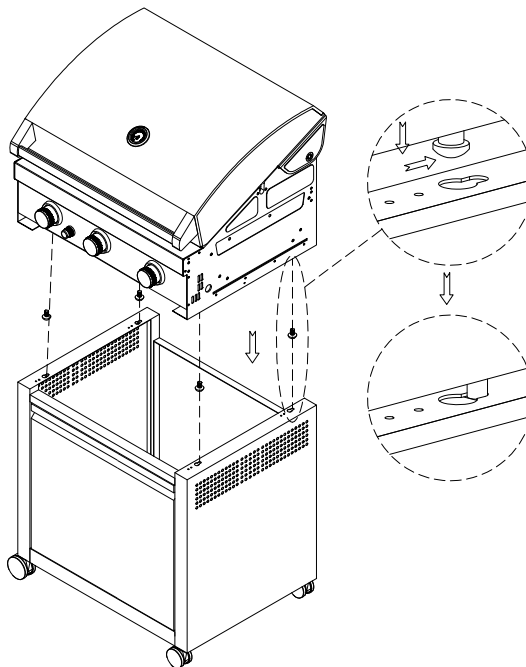


**7. Install The Barbecue head to the trolley**

- Note: Installation requires two persons Remove all componets from the barbecue head.
- Partially install the screws to the underside of the barbecue
- Locate the screw head into the keyholes on the top face of the trolley side panels, slide back to lock into position, tighten screws.

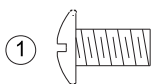


Phillips Head Screw 1/4"x1/2"  
Qty.4

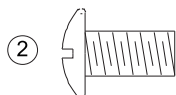


**8 Install Side Shelf Brackets**

- Firstly intall 4 phillips head screw 3/16"x1/2" to grill head as shown and tighten only half way, then intall side shelves as shown below.



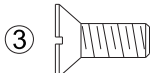
Phillips Head Screw 3/16"x1/2"  
Qty.4



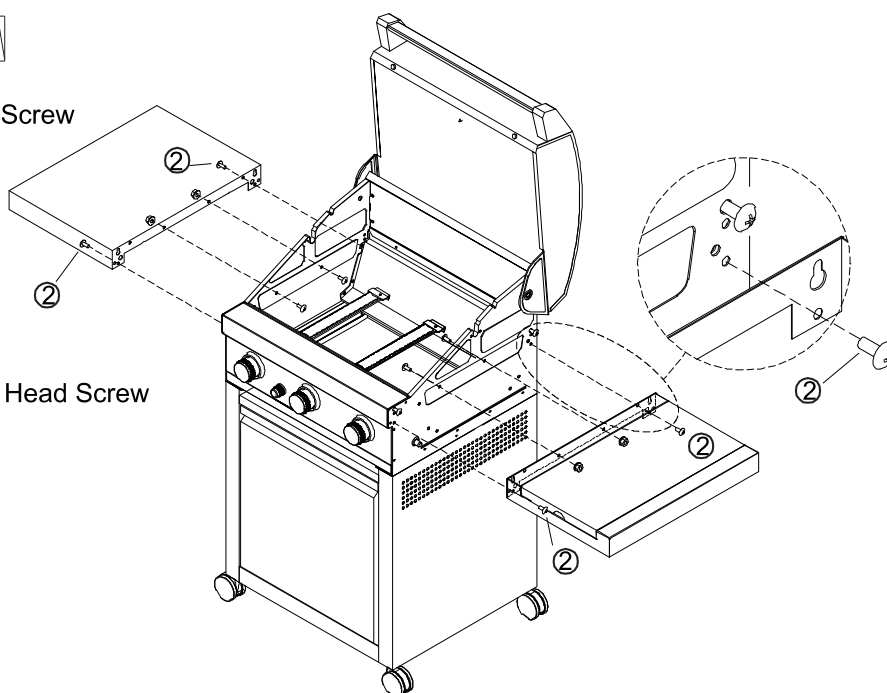
Phillips Head Screw 1/4"x1/2"  
Qty.4



Flange Nut 1/4"  
Qty.4



Countersunk Flat Head Screw 1/4"x1/2"  
Qty.4

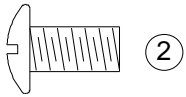


NOTE: TIGHTEN ALL SCREWS.

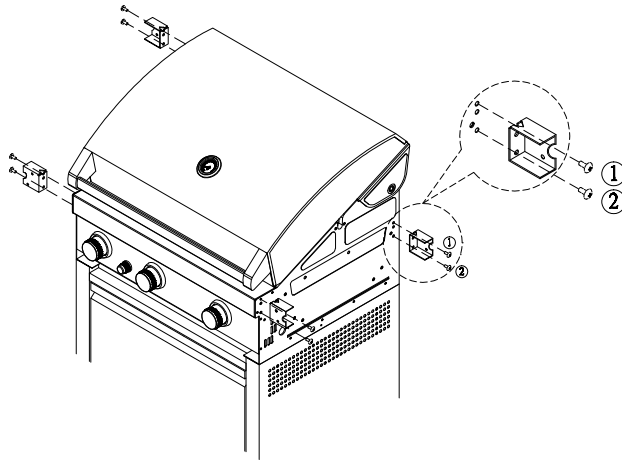
**a Install Side Shelf Brackets - GT3FD-V**



Phillips Head Screw  
3/16"x3/8"  
Qty. 4

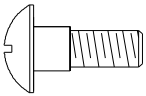


Phillips Head Screw  
1/4"x1/2"  
Qty. 4

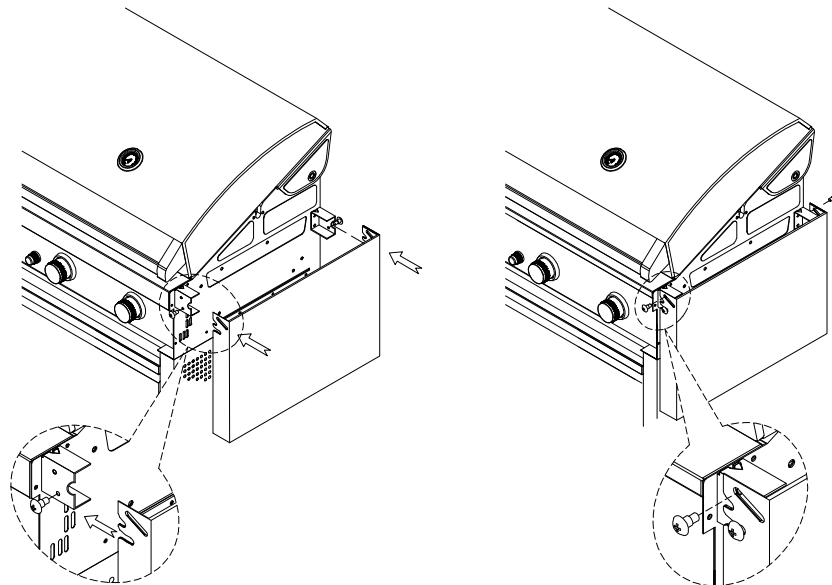


**b Install Side Shelves - GT3FD-V**

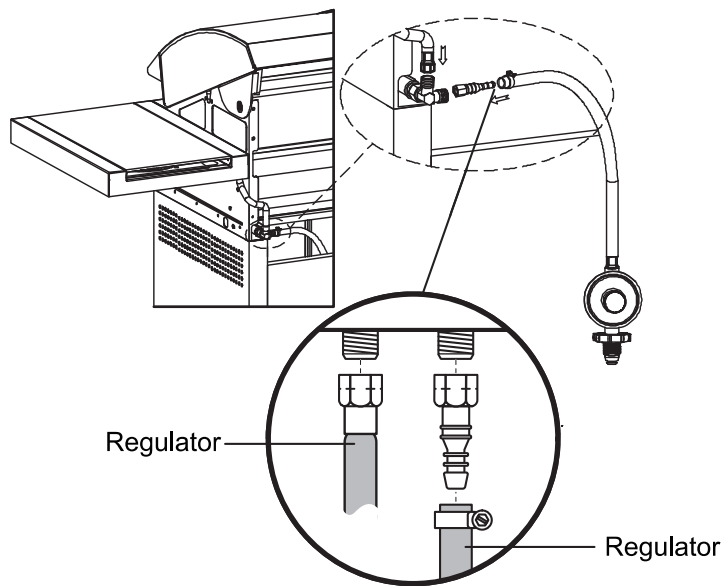
Repeat steps for Left Side Shelf.



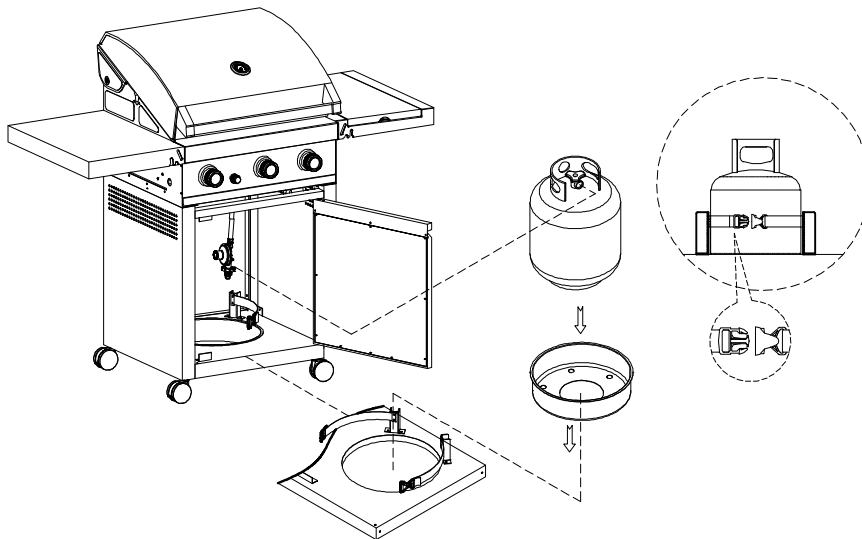
Bolt 1/4"x23/32"  
Qty. 8



10. Connect Side Burner Hose and install Regulator --GT3S-V



11. Install Gas cylinder seat and Gas Cylinder



**WARNINGS INFORMATION**

**(GB)** DO NOT OBSTRUCT THE VENTILATION OPENINGS IN THE TROLLEY.

**(FR)** NE PAS BOUCHER LES OUVERTURES DE VENTILATION DANS LE CHARIOT.

**(DE)** NICHT DIE VENTILATIONSÖFFNUNGEN IM WAGEN BLOCKIEREN.

**(IT)** NON OSTRUIRE LE APERTURE DI VENTILAZIONE DEL CARRELLO.

**(SI)** NE OVIRAJTE PREZRAČEVALNE ODPRTINE V VOZIČKU.

**(NL)** DE VENTILATIEOPENINGEN IN DE TROLLEY NIET BLOKKEREN.

**(SE)** BLOCKERA EJ VENTILATIONSHÅLEN I GRILLBAREN.

**(FI)** KÄRRYN TUULETUSAUUKKOJA EI SAA PEITTÄÄ.

**(ES)** NO OBSTRUYA LAS ABERTURAS DE VENTILACIÓN DEL CARRITO.

**(PT)** NÃO OBSTRUA AS ABERTURAS DE VENTILAÇÃO NO TRÓLEI.

**(DK)** VENTILATIONSÅBNINGEN I TROLLEYEN MÅ IKKE SPÆRRES.

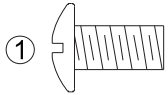
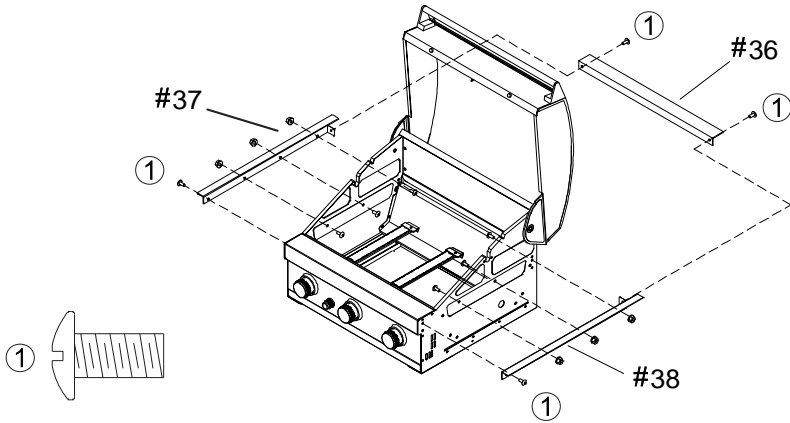
**(NO)** VENTILASJONSÅPNINGENE PÅ TRALLEN MÅ IKKE TILDEKKES.

**(HR)** NE BLOKIRAJTE OTVORE VENTILACIJE U KOLICIMA.



**ASSEMBLY - GT3-V Model**

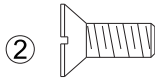
1. Install the Trim brackets Left and Right & Rear



Phillips Head Screw  
1/4"x3/8"  
Qty.4

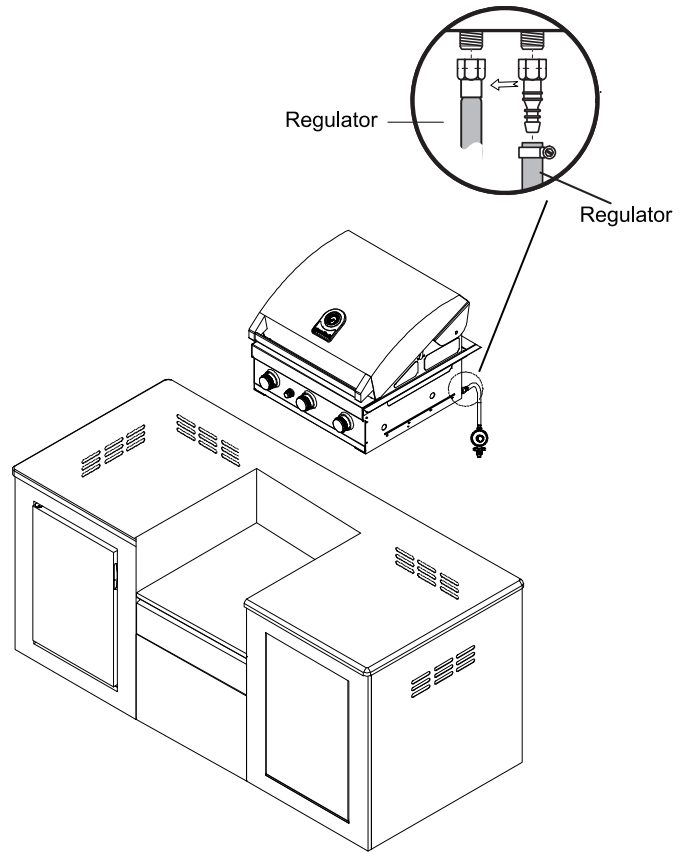


Flange Nut 1/4"  
Qty.6

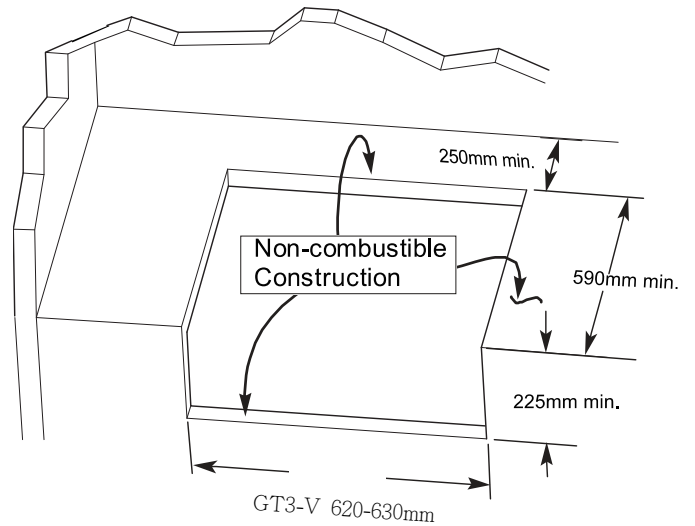


Countersunk Flat Head Screw  
1/4"x3/8"  
Qty.6

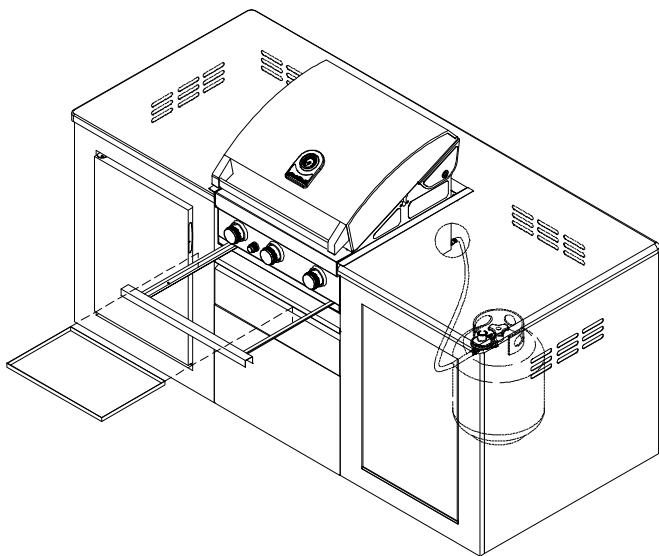
2. Regulator and Install the grill onto the housing



**MOUNTING CUT - OUT**



3. Install Grease Tray

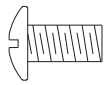


Note:the above illustration is for example only.

**ASSEMBLY - 3B Island Model**

**CAUTION :** To assemble this grill, you should obtain assistance from another person when handling some of the larger and heavier pieces.

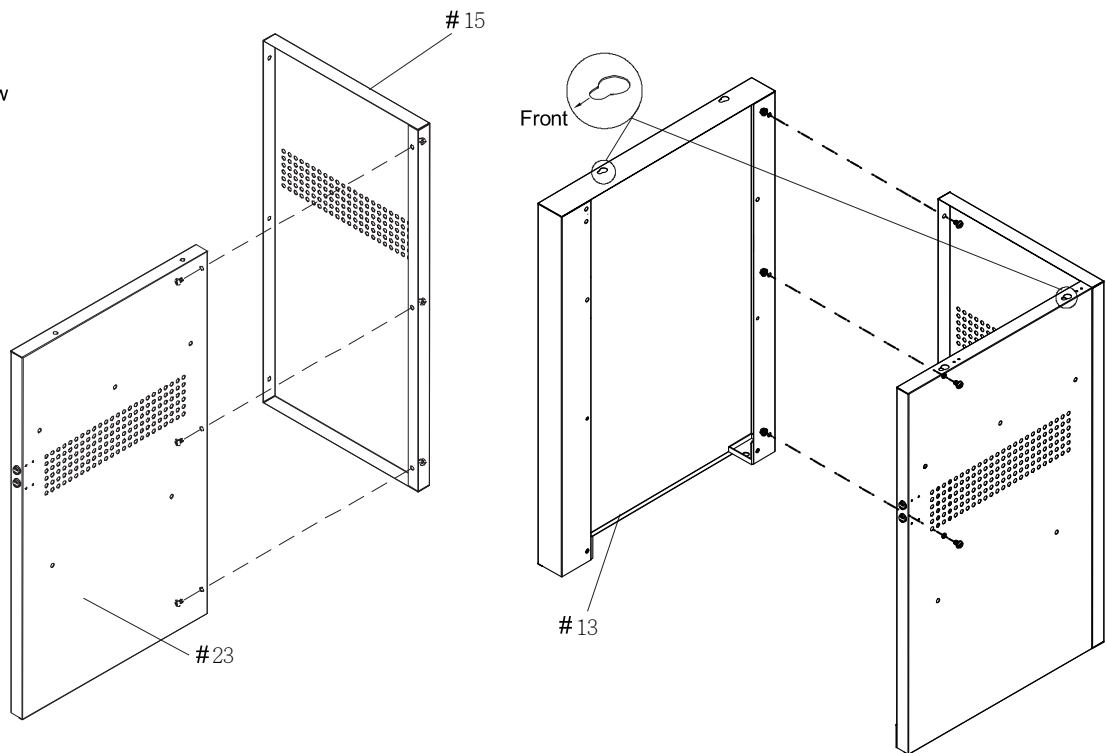
**1 Assemble Left Cabinet Panels**



Phillips Head Screw  
3/16"x3/8"  
Qty. 6



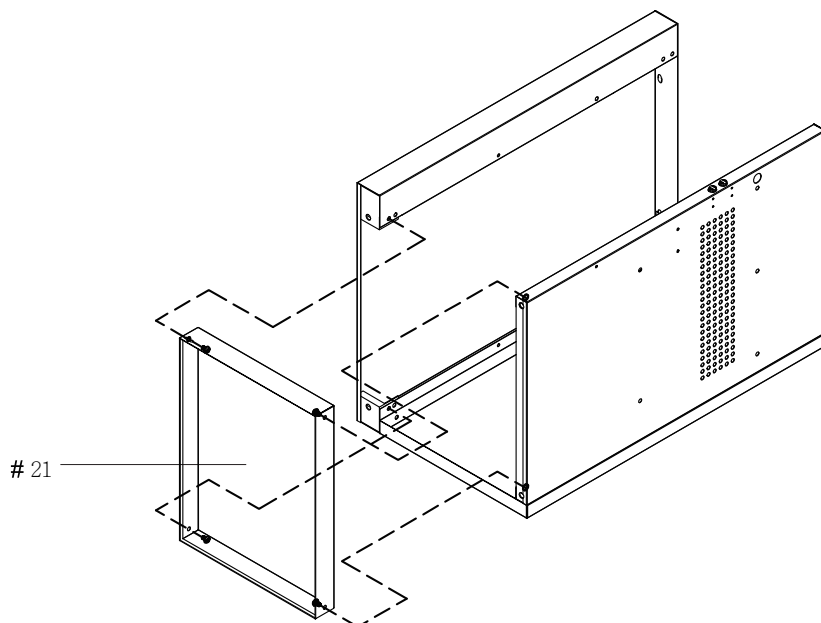
Flange Nut 3/16"  
Qty. 6



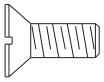
**2 Install Left Cabinet Bottom Shelf**



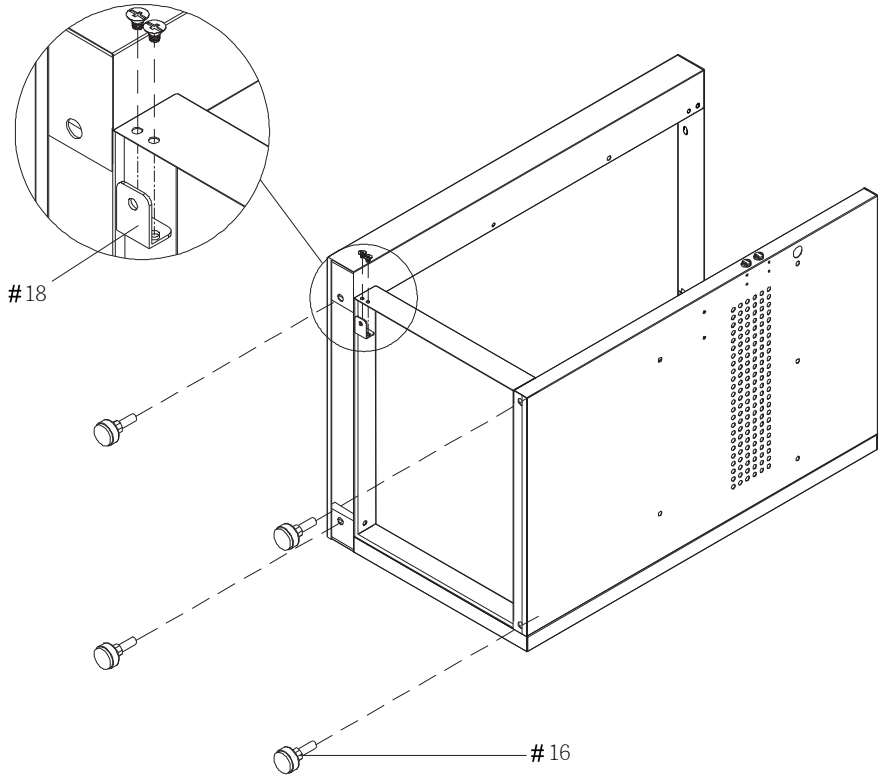
Phillips Head Screw  
1/4"x3/8"  
Qty. 4



### 3 Install Level Adjusters and Door Hinge Bracket onto Left Cabinet

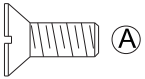


Countersunk Flat Head Screw  
3/16"x1/4"  
Qty. 2

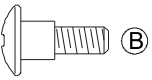


### 4 Install Storage Shelf onto Left Cabinet

- Install 2 Bolts (B) onto the Left and Right Panel, rear and tighten securely using 2 Flange Nuts 3/16".
- Place the Storage Shelf with "U" shaped hole over the screws. See Fig.1
- Align the holes on the Storage Shelf with the holes on the Left and Right Panel, insert 2 Countersunk Flat Head Screws (A) and tighten securely using 2 Flange Nuts 3/16".



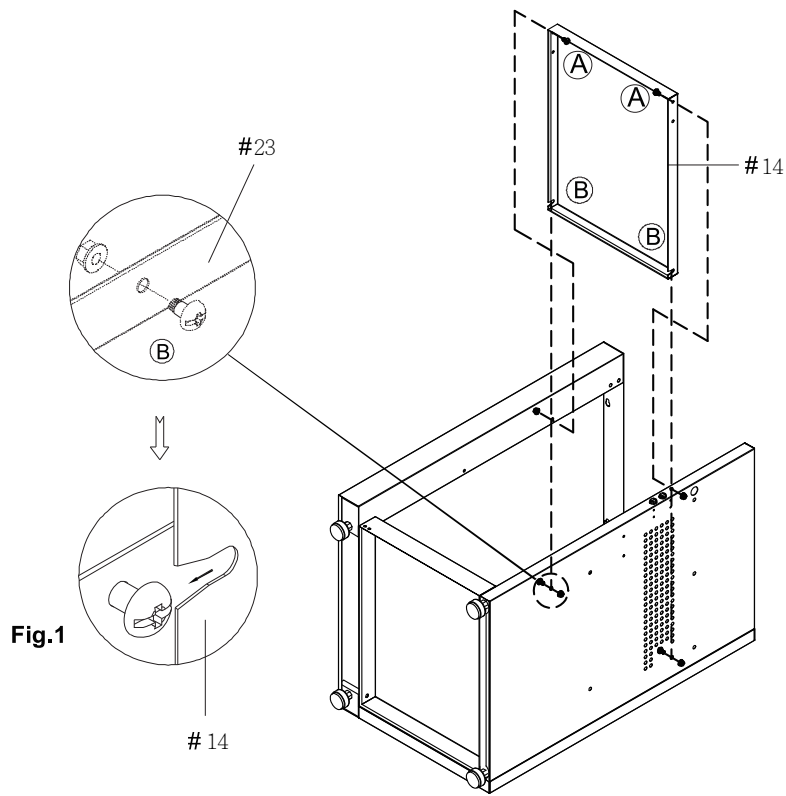
Countersunk Flat Head Screw  
3/16"x3/8"  
Qty. 2



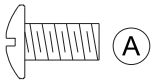
Bolt 3/16"x3/8"  
Qty. 2



Flange Nut 3/16"  
Qty. 4



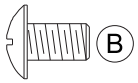
**5 Install Front Bracket, Bowl Support Bracket and Left Side Shelf onto Left Cabinet**



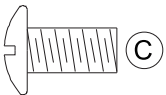
Phillips Head Screw  
3/16"x3/8"  
Qty. 2



Flange Nut 3/16"  
Qty. 2

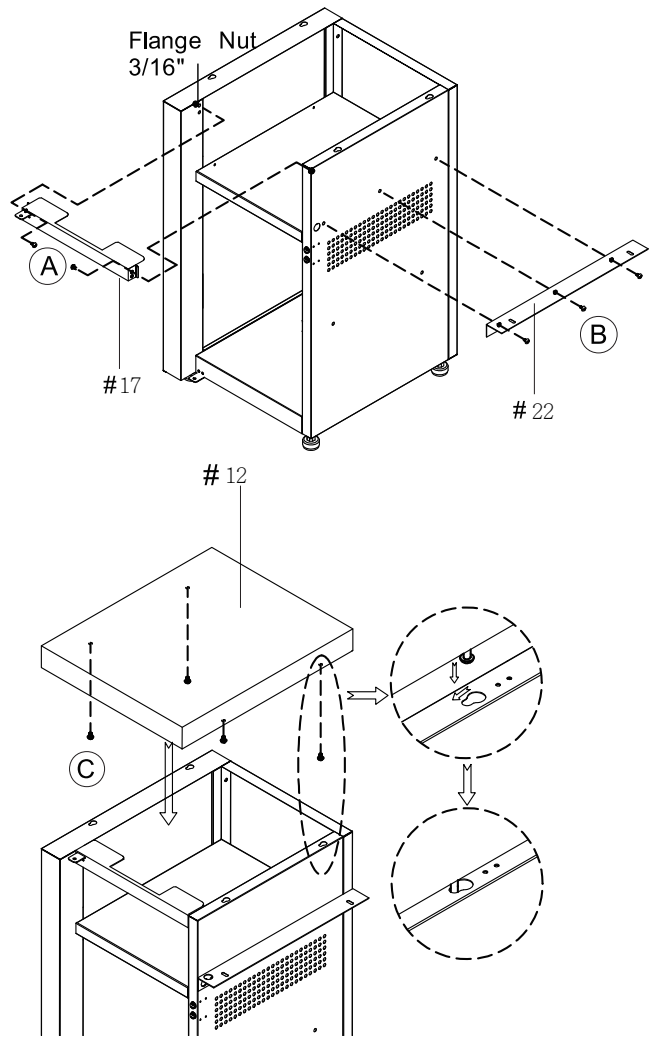


Phillips Head Screw  
1/4"x3/8"  
Qty. 3

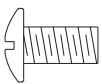


Phillips Head Screw 1/4"x1/2"  
Qty. 4

Note: Tighten all screws.



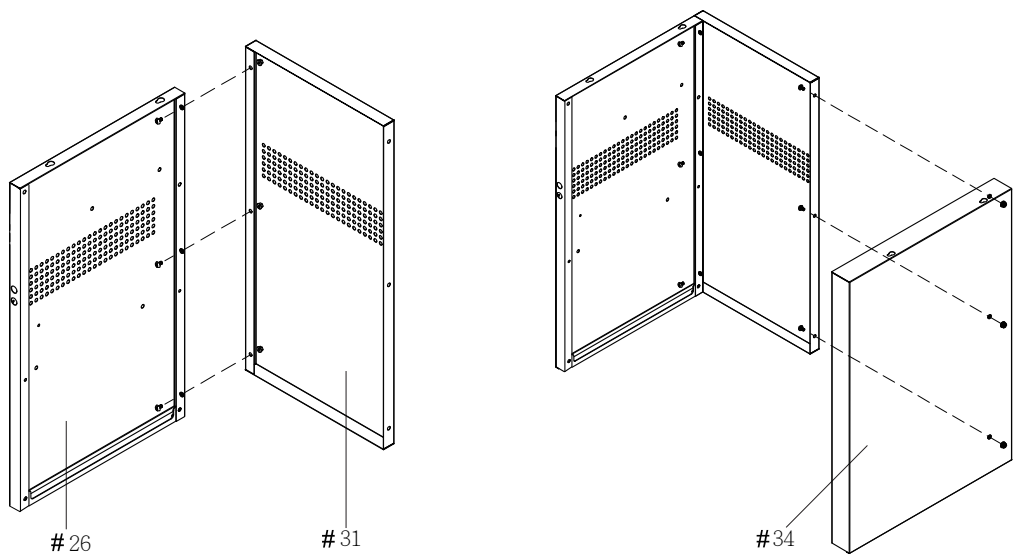
**6 Assembly Right Cabinet Panels**



Phillips Head Screw  
3/16"x3/8"  
Qty. 6



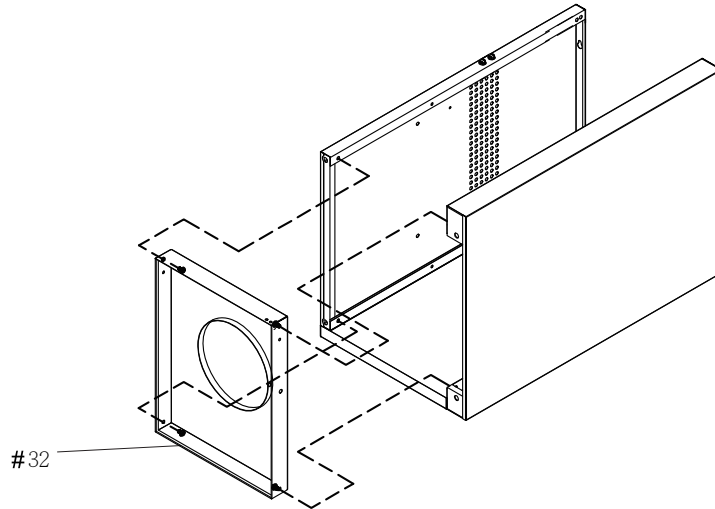
Flange Nut 3/16"  
Qty. 6



**7 Install Right Cabinet Bottom Shelf**



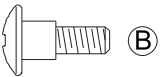
Phillips Head Screw  
1/4"x3/8"  
Qty. 4



**8 Install Level Adjusters Door Hinge Bracket and Storage Shelf onto Right Cabinet**



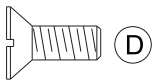
Countersunk Flat Head Screw  
3/16"x1/4"  
Qty. 2



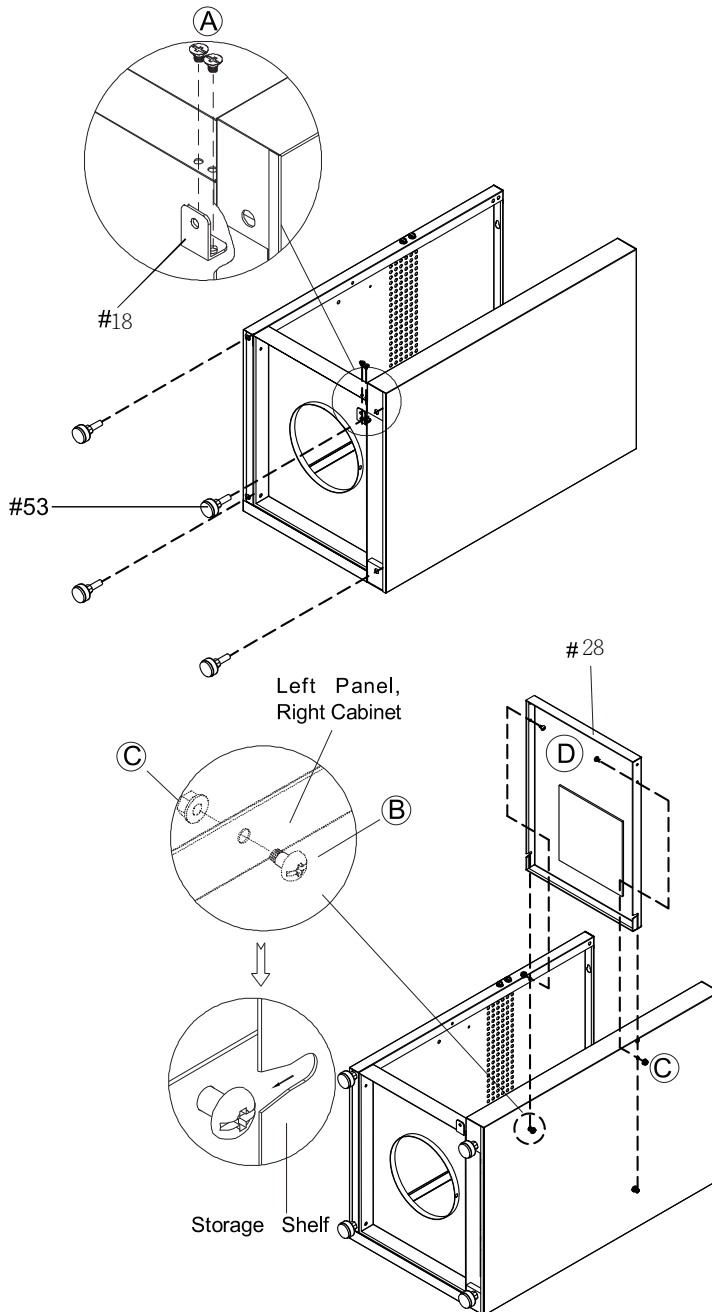
Bolt 3/16"x3/8"  
Qty. 2



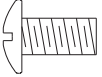
Flange Nut 3/16"  
Qty. 4




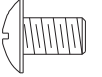
Countersunk Flat Head Screw  
3/16"x3/8"  
Qty. 2

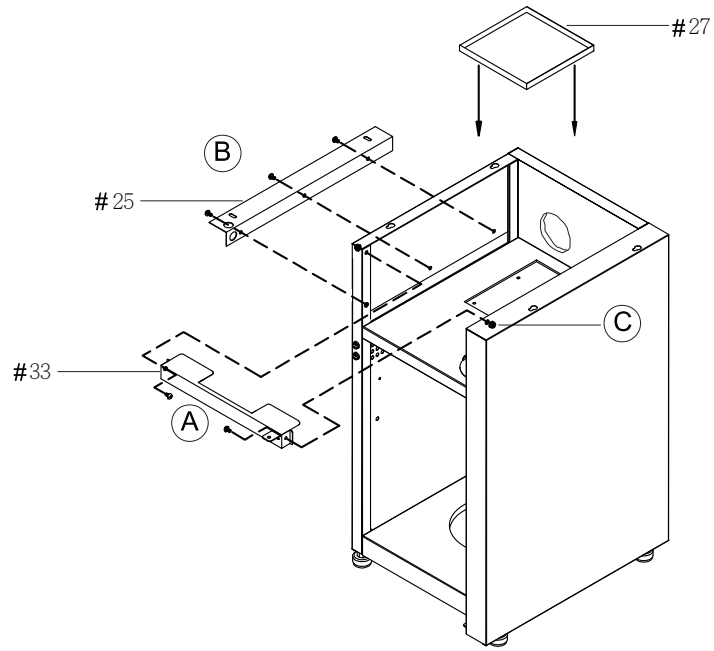


**9-1 Install Front Bracket, Bowl Support Bracket and Tank Holder onto Right Cabinet**

 (A)  
Phillips Head Screw  
3/16"x3/8"  
Qty. 2

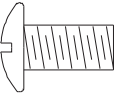
 (C)  
Flange Nut 3/16"  
Qty. 2

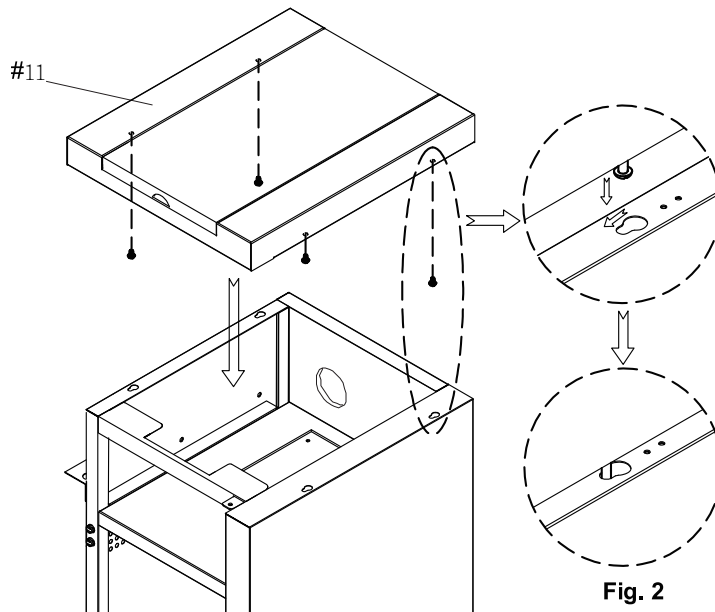
 (B)  
Phillips Head Screw  
1/4"x3/8"  
Qty. 3



Note: Tighten all screws.

**9-2 Install Side Burner Frame**

  
Phillips Head Screw  
1/4"x1/2"  
Qty. 4



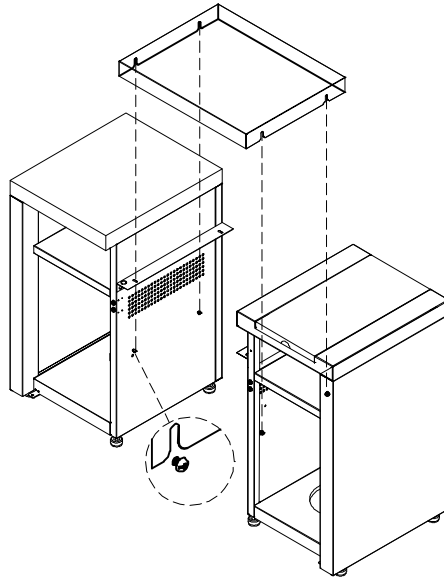
10

**Install Partition Panel and adjust Level adjusters**

- Attach the four(4) Phillips Head Screws 1/4"x3/8" to Left and Right Cabinet panels. Tighten the screws only halfway, then place the Partition Panel over the screws and tighten all the screws securely.



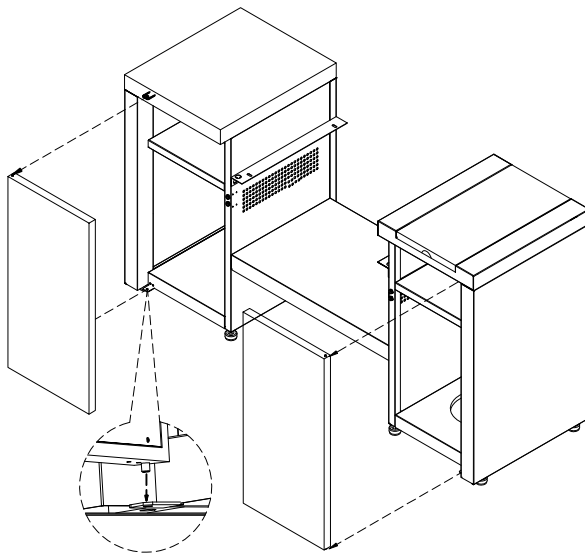
Phillips Head Screw  
1/4"x3/8"  
Qty. 4



11

**Install Doors and Remove Support Bracket**

- Place the Door Assembly into the Upper door bracket, Press the spring lever mechanism at the bottom of the door and position over the lower door bracket opening. Release the spring lever to lock the Door into the Door Lower Bracket.
- Open Right Cabinet Door.

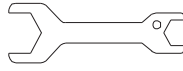


## 12 Install Grill Head and Replace Support Bracket

- If the Cabinet Sets are not level with each other, use the wrench to adjust the level adjusters on the bottom of the Cabinet Side Panels.
  - Turn the adjusters clockwise to raise the height of the Cabinet.
  - Turn the adjusters counterclockwise to lower of the Cabinet.
  - FOR YOUR SAFETY DO NOT TILT your Grill at any time.



Phillips Head Screw 1/4"x1/2"  
Qty. 4



Wrench  
Qty. 1



Phillips Head Screw  
1/4"x3/8"  
Qty. 4

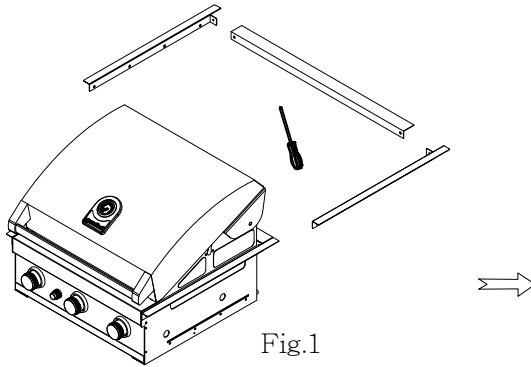


Fig.1

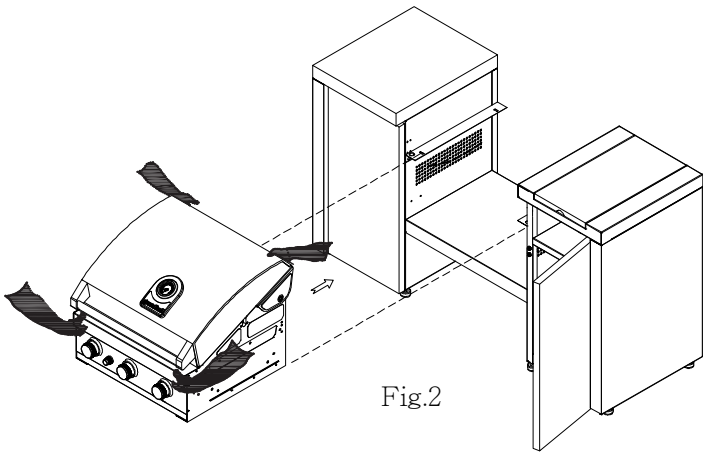
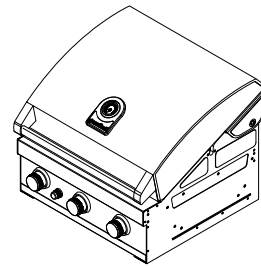


Fig.2

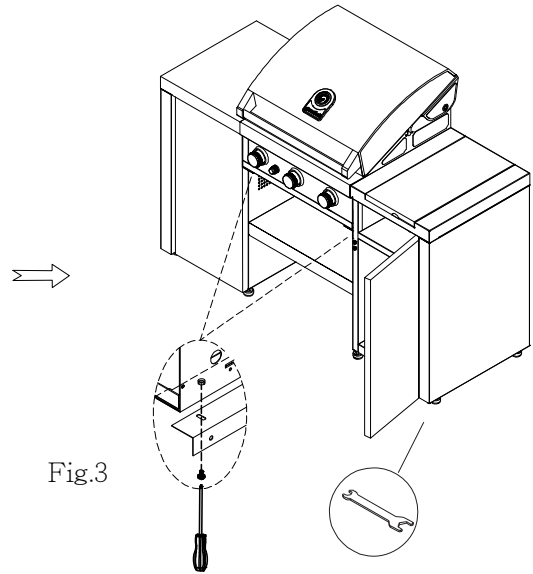


Fig.3

**NOTE:** The hands should be placed on the back top of grill lid and under of upper control panel when lifting the grill head.

**NOTE:** Slide the grill head backward carefully and stop until the front ledge of upper control panel is flush with the front ledge of cabinet sets.

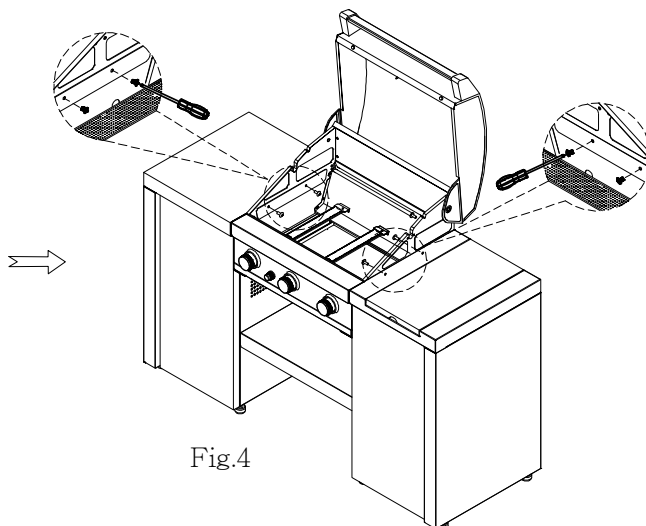


Fig.4



13 Install Side Burner Connection Hose, Regulator, Gas Cylinder Seat and Gas Cylinder

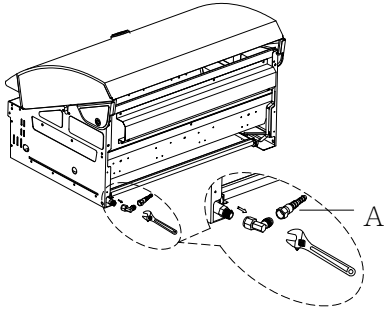


Fig.1

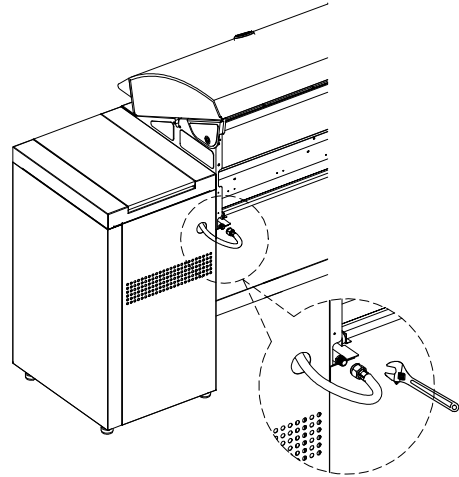


Fig.2

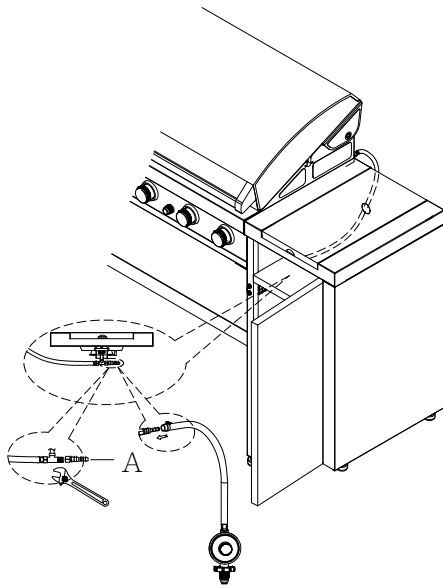


Fig.3

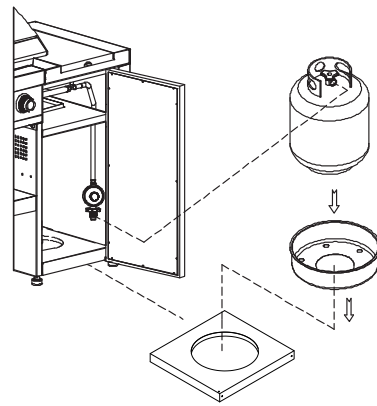
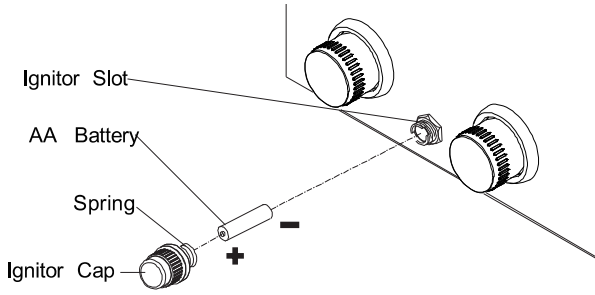
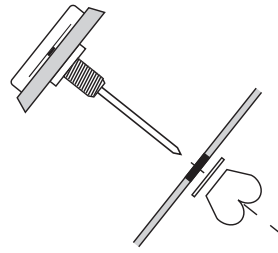


Fig.4

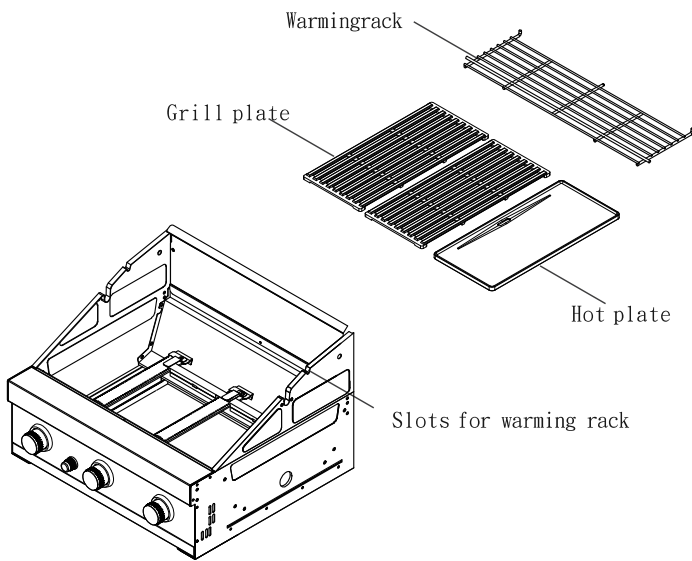
**IGNITION BATTERY**



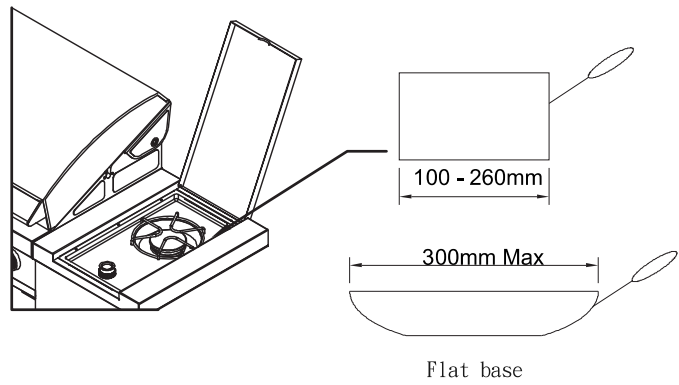
**TEMPERATURE GAUGE**



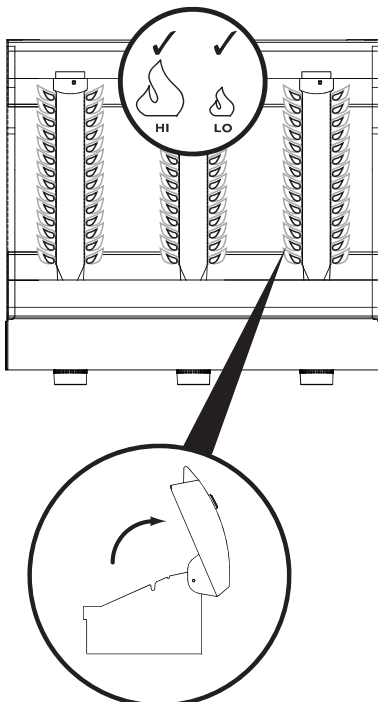
**COOKING COMPONENT INSTALLATION**



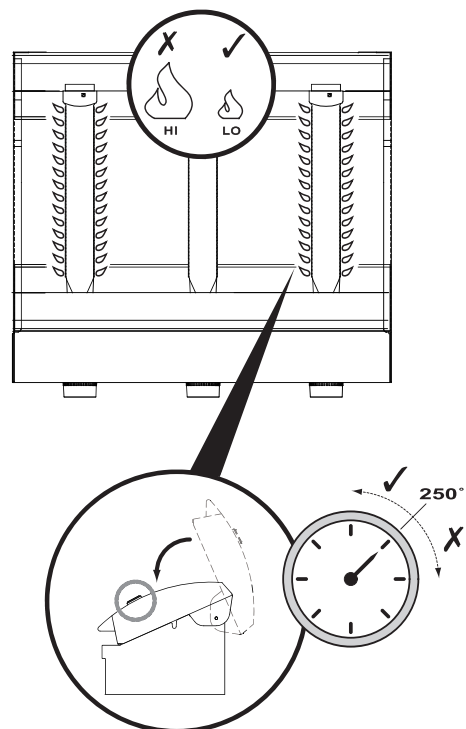
**SIDE BURNER POTS**



**COOKING WITH HOOD OPEN**



**COOKING WITH HOOD DOWN**





Grand Hall Europe  
PO Box 431  
7570 AK Oldenzaal  
The Netherlands

[www.grandhall.eu](http://www.grandhall.eu)

**(IE) (GB) NOTE:** This information is a guide only. Items included in your BBQ specification may differ depending on region or specific dealer specification.

**(CH) (FR) NOTE:** Ces renseignements sont donnés à titre indicatif. Il est possible que les articles inclus dans les spécifications de votre barbecue diffèrent selon la région ou les caractéristiques stipulées par le concessionnaire.

**(AT) (CH) (DE) ANMERKUNG:** Diese Anleitung dient nur zu Informationszwecken. Einzelteile der Grillspezifikation sind unter Umständen verschieden entsprechend der Vertriebsregion oder bestimmten Händleranforderungen.

**(CH) (IT) AVVERTENZA:** Queste informazioni hanno il valore di guida soltanto. Gli articoli compresi nelle caratteristiche tecniche del barbecue potrebbero variare a seconda della regione o del concessionario.

**(BE) (NL) ATTENTIE:** Deze informatie is alleen bedoeld als gids. Onderdelen in uw BBQ specificatie en pakket kunnen per regio of per dealer verschillen.

**(SE) ANM.:** Denna information är endast avsedd som handledning. Specifikationerna för grillen kan variera regionalt eller beroende på de krav som olika återförsäljare har.

**(FI) HUOMATKAA:** Nämä tiedot ovat pelkästään suuntaa antavia. Ostamanne grillin yksityiskohdat voivat olla erilaiset paikkakunnan tai erityisten myyjäkohtaisten yksityiskohtien mukaan.

**(ES) NOTA:** Esta información es una guía únicamente. Es posible que las indicaciones incluidas en las especificaciones de su Asador sean diferentes según la región o las especificaciones específicas del representante.

**(PT) NOTA:** Esta informação é simplesmente um guia. Os itens incluídos na especificação do seu BBQ poderão diferir dependendo da especificação da região ou do vendedor específico.

**(DK) NB:** Denne information er kun vejledende. Specifikationer kan variere efter ønske fra forhandler, eller i henhold til nationale regler.

**(NO) NB:** Denne informasjon er kun veiledende. Spesifikasjoner kan variere som stipulert av forhandler, eller i henhold til nasjonale krav.

**(HR) UPOZORENJE:** Ova uputa služi samo u informativne svrhe. Pojedini dijelovi specifikacije roštilja su različiti od onih koji su propisani Vašim mjestom boravka ili koje su propisali razni distributeri i ovlaštenici za plinske roštilje.

**(SI) OPOZORILO:** Ta navodila so samo informativne narave. Posamezni deli iz specifikacije žara so lahko različni od tistih, kateri so predpisani v vaši regiji ali katere so predpisali distributerji in pooblašeni zastopniki za plinske žare.

All specifications are subject to change without notice.

Toutes les caractéristiques sont susceptibles d'être modifiées sans préavis.

Änderungen ohne vorherige Bekanntgabe vorbehalten.

Tutti i dati tecnici possono cambiare senza preavviso.

Alle specificaties kunnen zonder voorafgaande kennisgeving worden gewijzigd.

Kaikki oikeudet teknisten tietojen muutoksiin pidätetään.

Kaikki yksityiskohdat voivat muuttua ilman, etta niistä erikseen ilmoitetaan.

Todas las especificaciones están sujetas a cambios sin previo aviso.

Todas as especificações estão sujeitas a alteração sem aviso.

Moguće su promjene bez prethodnih najava.

Možne so spremembe brez predhodnih najav.

Manufacturer:

Grand Hall Enterprises Co. Ltd.  
9th Fl. No 298 Rueiguang Rd  
Neihu, Taipei, Taiwan

P801910128A 10/2013