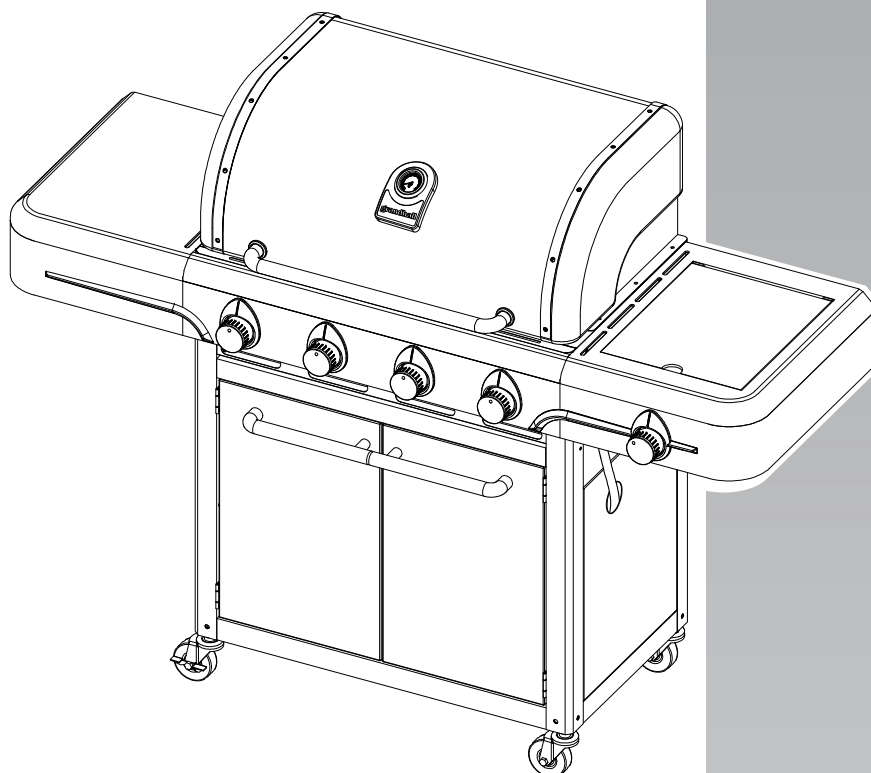


gas barbecue



(IE) (GB) Assembly instructions

(CH) (FR) Instructions d'assemblage

(AT) (CH) (DE) Montageanweisungen

(CH) (IT) Istruzioni per il montaggio

(BE) (NL) Montage-instructies

(SE) Monteringsvejledning

(FI) Kokoamisohjeet

(ES) Instrucciones de armado

(PT) Instruções para Montagem

(DK) Monteringsvejledning

(NO) Monteringsvejledning

Upute za montažu

Navodila za montažo

WARNING

- 1) "Use outdoors only"
- 2) "Read the instructions before using the appliance"
- 3) "WARNING: accessible parts may be very hot. Keep young children away"
- 4) "This appliance must be kept away from flammable materials during use"
- 5) "Do not move the appliance during use"
- 6) "Turn off the gas supply at the gas cylinder after use"
- 7) "Do not modify the appliance"
- 8) Wear Protective gloves when handling particularly hot area.



ALWAYS CHECK FOR GAS LEAKS EACH TIME YOU USE YOUR BARBECUE.

You should follow this procedure after any of the following:

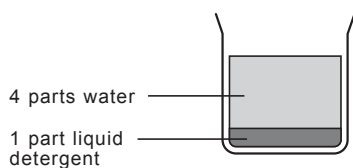
- Not having used the barbecue for an extended period of time,
- Initial assembly of barbecue,
- Any disconnection and reconnection of hose assembly,
- Changing gas cylinder,
- Upon re-connecting gas cylinder after it has been disconnected for storage.

CHECKING FOR GAS LEAKS

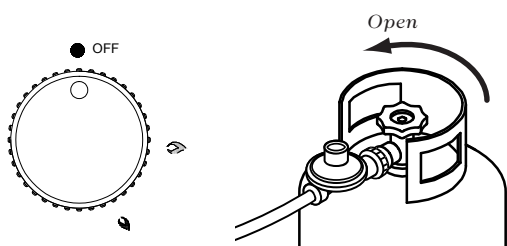


NEVER CHECK FOR LEAKS WITH A FLAME.

1. Make liquid detergent solution by mixing one (1) part liquid detergent and four (4) parts water.

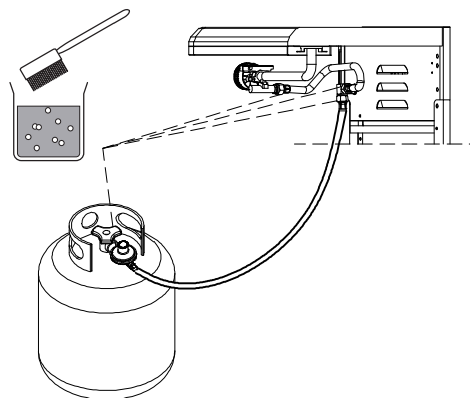


2. Turn burner control knob(s) to 'OFF', then turn on gas at source.



IF YOU HAVE A GAS LEAK YOU CANNOT RECTIFY, TURN OFF THE GAS AT THE SOURCE. CONTACT THE SERVICE AGENT

3. Apply the liquid detergent solution to all visible and accessible gas connections, including the connection to the gas cylinder. Bubbles will appear in the liquid detergent solution if connections are not properly sealed. Tighten or rectify as necessary.



CHECKING FOR GAS LEAKS

This barbecue is approved for use on Natural gas but must be properly converted from the factory built . Contact your *service agent* for details. Conversion and installation must be by a licensed plumber or gas fitter and comply with local codes.

ENSURING BURNER CONTROLS ARE OFF

IMPORTANT: Before connecting and disconnecting barbecue to gas source, ensure burner controls are in 'OFF' position.

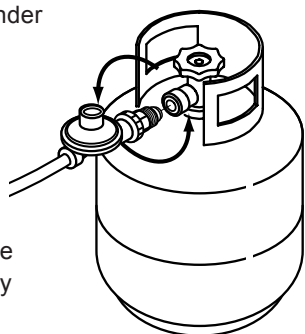
NOTE: The 'OFF' position on the control panel is identified by either a small black dot / a short vertical black line / or the word 'OFF'.

CAUTION: When the appliance is not in use, the gas must be turned off at the gas cylinder.

Familiarise yourself with the general information and safety guidelines located at the front of this booklet. Check to see that gas cylinder is filled and that end of each burner tube is properly located over each valve orifice. Set burner controls to 'OFF' position.

CONNECTING TO, AND DISCONNECTING FROM GAS SOURCE CONNECTING TO GAS SOURCE

1. Locate the gas cylinder in the cabinet and secure.
2. Attach the regulator and hose assembly to cylinder valve outlet. Tighten firmly.
3. Open the gas cylinder valve fully to allow gas to flow.
4. Leak test all accessible connections thoroughly using a soapy water solution prior to lighting the barbecue.
5. If a leak is found, turn gas cylinder valve off and re-check all connections have been tightened. If there is still a leak do not use barbecue until repairs or replacement can be made.

**DISCONNECTING FROM GAS SOURCE**

1. Turn the burner controls 'OFF'.
2. Turn the gas cylinder valve off fully.
3. Detach the regulator assembly from gas cylinder valve.

NOW YOUR BARBECUE IS READY TO USE

Before first use and at the beginning of each barbecue season:

1. Please read Safety, Lighting and Operating instructions carefully.
2. Check gas valve orifices, burner tubes and burner ports for any obstructions. eg. spiders, webs, insects.
3. Check and ensure the gas cylinder is full.
4. Ensure all connections are securely tightened. Check for gas leaks.

INSTALLER FINALCHECK LIST

1. At least 1m clearance maintained from combustible constructions to the sides and back of this grill.
2. There is no unprotected combustible construction over the grill.
3. All internal packaging removed.
4. Burners are sitting properly on orifices.
5. Knobs turn freely.
6. Unit tested and free of leaks.
7. User informed of gas supply shut off valve location.

GRILL LIGHTING INSTRUCTIONS

■ **WARNING: IMPORTANT!**

■ **BEFORE LIGHTING**

Finally inspect the gas supply hose before turning the gas "ON". If there is evidence of cuts, wear, or abrasion, it must be replaced before use, the replacement hose assembly shall be that specified by the manufacturer.

VERY IMPORTANT: ALWAYS INSPECT THE HOSE BEFORE EACH USE OF THIS GRILL.

■ **TO LIGHT MAIN BURNERS OF THE GRILL:**

1. Read instructions before lighting.
2. Turn all knobs to "O" then open the tank valve. Always keep your face and body as far from the grill as possible when lighting.
3. Open lid during lighting.
4. Push and turn any control knob slowly to "MAX" position. The electrode will spark simultaneously to light the burner in sequence. Repeat the same operation when lighting each burner. Turn the control knob to "O" position IMMEDIATELY if the burner does not light within 5 seconds, wait 5 minutes for gas to dispel, then repeat the lighting procedure.
5. Follow match lighting instructions if burner can't be lit after repeated 3-4 times.

■ **TO LIGHT THE MAIN BURNERS BY MATCH :**

If the burner will not light after several attempts then the burner can be match lit. Usage:

1. Read instructions before lighting.
2. Open the lid during lighting.
3. Simply place a match between the coils on the end of the lighting rod, light the match and insert it into the hole of firebox to ignite.
4. Push and turn the knob to "MAX" position, and make sure the burner lights and stays lighted.
5. Repeat 3~4 to light other burners.

Keep a spray bottle of soapy water near the gas supply valve and check the connections before each use.

Do not light the grill if odor of gas is present.

■ **FLAME CHARACTERISTICS**

Check for proper burner flame characteristics. Each burner is adjusted prior to shipment; however, variations in the local gas supply may take subtle necessary adjustments.

Burner flames should be blue and stable with no yellow tips, excessive noise, or lifting. If any of these conditions exist call our customer service line. If the flame is yellow, it indicates insufficient air. If the flame is noisy and tends to lift away from the burner, it indicates too much air.

NOTE: small yellow tips are ok.

PLACEMENT OF THE GRILL

1. Clean the grill.
2. Store the grill in well-ventilated dry outdoors and out of reach of children when the gas tank is connected to the grill.
3. Store the grill in dry indoors ONLY after the gas tank is turned off and removed, the gas tank must store outdoors, out of the reach of children, NEVER store the tank in a building, garage or any other enclosed area.
4. Put on the vinyl cover supplied with this grill.

FAULT FINDING

IF THE BARBECUE FAILS TO LIGHT

1. Turn gas off at source and turn burner control knobs to 'OFF', Wait at least five (5) minutes for gas to clear, then retry.
2. If your barbecue still fails to light, check gas supply and connections.
3. Repeat lighting procedure. If your barbecue still fails to operate, turn the gas off at source, turn the control knobs to 'OFF', then check the following.
 - **Obstruction in gas line**
Correction: Remove fuel line from barbecue. Do not smoke! Open gas supply for one second to clear any obstruction from fuel line. Close off gas supply at source and reconnect fuel line to barbecue.
 - **Plugged orifice**
Correction: Remove burners from barbecue. Carefully lift each burner up and away from gas valve orifice. Remove the orifice from gas valve and gently clear any obstruction with a fine wire. Then reinstall all orifices, burners, cotter pins and cooking components.
If an obstruction is suspected in gas valves or manifold, contact your place of purchase or manufacture.

FLOW OF GAS SEEMS ABNORMAL

1. Check that gas cylinder is not empty.
2. Burner holes are dirty and clogged.
3. Gas regulator is not working.

SMELL OF GAS

1. Gas valve is open.
2. Gas hose is leaking (Check with soapy water)
3. Gas hose is bent or damaged or not positioned properly.

BARBECUE DOES NOT HEAT UP

1. Gas valve is not open.
2. Oven knob not opened properly.
3. Oven burner has blown out.

EXCESSIVE SMOKE

1. Burnings of oils and fats left behind (oils & fats must be cleaned off after cooking).

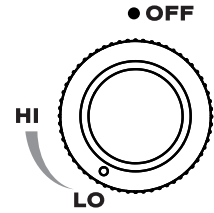
COOKING WITH THE HOOD DOWN

IMPORTANT:

Never use all burners on 'HI' when cooking with hood down.

Pre-heating: Operated the BBQ with the hood closed with all burners on high for 10-15mins
Cooking: Turn burners to the low setting. The burners can then be adjusted to the required cooking temperature, DO NOT exceed 250C

NOTE: Exceeding 250C for extended times may cause damage to the



CARE & MAINTENANCE

As with all appliances, proper care and maintenance will keep them in top operating condition and prolong their life. Your new gas barbecue is no exception. By following these cleaning procedures on a timely basis, your barbecue will be kept clean and working properly with minimum effort.

FLASH-BACK

Spiders and small insects occasionally spin webs or make nests in the burner tubes during warehousing and transit. These webs can lead to a gas flow obstruction which could result in a fire in and around. Cleaning with a soft brush before use and at least every six months is recommended. This type of fire is known as 'FLASH-BACK' and can cause serious damage to your barbecue and create an unsafe operating condition for the user.

Although an obstructed burner tube is not the only cause of 'FLASH-BACK' it is the most common cause and frequent inspection and cleaning of the burner tubes is necessary. If fire occurs in and around the burner, immediately turn off gas at its source and turn the burner control to 'OFF', wait until the barbecue has cooled, then clean the burner tubes and burner ports.

CLEANING THE GREASE TRAY

To avoid fat or grease dripping from the barbecue remove and empty the drip tray after each use. A small amount of water can be placed in the drip tray before use to help with fat removal. Wait until the drip tray is cool to touch before disposing of contents. The drip tray should be washed periodically in a mild detergent and warm water solution.

CARE OF COOKING SURFACE

Your barbecue is supplied with an enamel grill and plate. Correct use and care of the cooking surface is important to ensure trouble free cooking.

Clean thoroughly while cooking surface is cooling. Do not leave food on the cooking surface when not in use.

SERVICE

If the appliance cannot be adjusted to perform correctly it should not be used until serviced.

MAINTENANCE

CLEANING THE BURNER TUBES AND BURNER PORTS

To reduce the chance of FLASHBACK FIRE you must clean the burner tubes as follows at least once a month in summer and fall or whenever spiders are active in your area, and if your barbecue has not been used for an extended period of time.

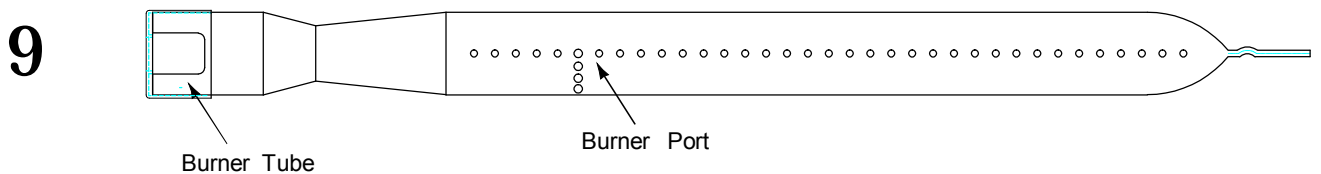
1. Turn all burner valves to the full "OFF" position.
2. Turn the LP gas cylinder valve to the full "OFF" position.
3. Detach the LP gas regulator assembly from your gas barbecue.
4. Remove the cooking plates from your barbecue.
5. Remove the cotter pin from the rear of each burner using a nose plier.
6. Carefully lift each burner up and away from the gas valve orifice.
7. Check and clean burner / venturi tubes for insects and insect nests. A clogged tube can lead to a fire beneath the barbecue.
8. Refer to diagram 1 and perform one of these three cleaning methods:

METHOD 1: Bend a stiff wire or wire coat hanger into a small hook as shown and run the hook through the burner tube and inside the burner several times to remove debris.



Diagram 1

To clean burner tube, insert hook as indicated by the arrow.



METHOD 2: Use a bottle brush with a flexible handle and run the brush through the burner tube and inside the burner several times to remove any debris.

METHOD 3: Use an air hose to force air through each burner tube. The forced air should pass debris or obstructions through the burner and out the ports.

Regardless of which burner cleaning procedure you use, we recommend you also complete the following steps to help prolong burner life.

1. Use a fibre pad or nylon brush to clean the entire outer surface of each burner until free of food residue and dirt.
2. Clean any clogged ports with a stiff wire, such as an open paper clip.
3. Inspect each burner for damage (cracks or holes) and if such damage is found, order and install a new burner. After installation, check to ensure that the gas valve orifices are correctly placed inside the ends of the burner tubes. Also check the position of your spark electrode.



FOR SAFE OPERATION ENSURE THE GAS VALVE ASSEMBLY ORIFICE IS INSIDE THE BURNER TUBE BEFORE USING YOUR BARBECUE.
IF THE ORIFICE IS NOT INSIDE THE BURNER TUBE, LIGHTING THE BURNER MAY CAUSE EXPLOSION AND / OR FIRE RESULTING IN SERIOUS BODILY INJURY AND / OR PROPERTY DAMAGE.



VÉRIFIEZ TOUJOURS S'IL Y A DES FUITES DE GAZ À CHAQUE UTILISATION DU BARBECUE.

Suivez cette procédure dans les cas suivants :

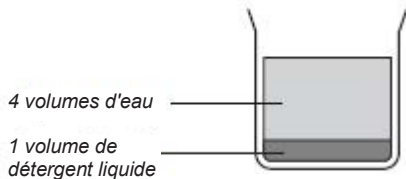
- Si vous n'avez pas utilisé le barbecue pendant longtemps,
- Au montage initial du barbecue,
- Si vous avez raccordé ou déconnecté l'ensemble de tuyau,
- Si vous changez la bouteille de gaz,
- Si vous raccordez la bouteille de gaz après l'avoir désolidarisée pour entreposage.

VÉRIFICATION DE FUITES DE GAZ

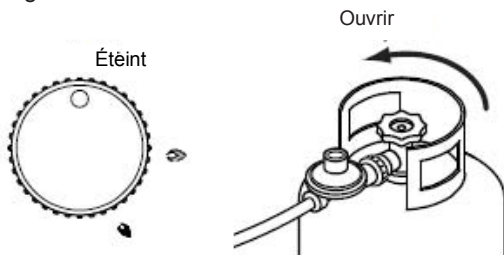


NE TESTEZ JAMAIS LES FUITES AVEC UNE FLAMME NUE.

1. Préparez une solution de détergent liquide en mélangeant un (1) volume de détergent liquide pour quatre (4) volumes d'eau.

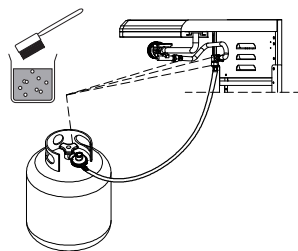


2. Réglez le ou les boutons des brûleurs sur "OFF", puis ouvrez le gaz à la source.



SI VOUS AVEZ UNE FUITE DE GAZ QUE VOUS N'ARRIVEZ PAS À RECTIFIER, COUPEZ LE GAZ À LA SOURCE. CONTACTEZ LE SERVICE APRÈS-VENTE

3. Appliquez la solution de détergent liquide sur tous les raccords de gaz visibles et accessibles, y compris le raccord à la bouteille de gaz. Il y aura des bulles dans la solution de détergent liquide si les raccords ne sont pas étanches. Resserrez ou rectifiez au besoin.



VÉRIFICATION DE FUITES DE GAZ

L'utilisation de ce barbecue avec du gaz naturel est approuvée, mais le barbecue initial doit être correctement converti. Contactez votre service après-vente pour en savoir plus.

La conversion et l'installation doivent être effectuées par un plombier agréé ou un monteur d'installations au gaz autorisé et respectez les règlements locaux

VÉRIFIER QUE LES MOIETTES DES BRÛLEURS SONT SUR ÉTEINT

IMPORTANT : Avant de raccorder et de déconnecter le barbecue à la source de gaz, vérifiez que les moiettes des brûleurs sont en position "Éteint".

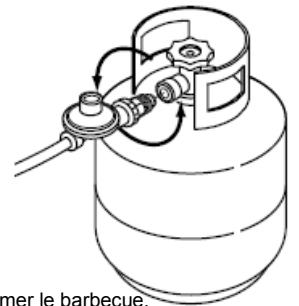
REMARQUE : La position "Éteint" sur le panneau de commande est identifiée soit par un point noir/une courte ligne noire verticale soit par le mot "OFF/éteint".

ATTENTION : Lorsque l'appareil n'est pas en usage, le gaz doit être coupé au niveau de la bouteille de gaz.

Familiarisez-vous avec les informations générales et les précautions de sécurité figurant en couverture de ce livret. Vérifiez que la bouteille de gaz est remplie et que l'extrémité du tube des brûleurs est placée correctement sur chaque orifice de vanne. Réglez les moiettes des brûleurs en position "OFF".

RACCORDEMENT ET DÉSOLIDARISATION À UNE SOURCE DE GAZ

1. Placez la bouteille de gaz dans l'armoire et fixez-la.
2. Fixez le détendeur et l'ensemble de tuyau à la sortie de la vanne de la bouteille. Serrez à fond.
3. Ouvrez la vanne de la bouteille de gaz entièrement pour que le gaz puisse passer.
4. Faites des essais de fuite complets sur tous les raccords accessibles en utilisant une solution d'eau savonneuse avant d'allumer le barbecue.
5. Si vous trouvez une fuite, fermez la vanne de la bouteille et vérifiez à nouveau que tous les raccords sont serrés. S'il y a encore une fuite, n'utilisez pas le barbecue tant que des réparations ou des remplacements n'ont pas été faits.



DÉSOLIDARISATION À UNE SOURCE DE GAZ

1. Réglez les moiettes des brûleurs sur "OFF".
2. Fermez complètement la vanne de la bouteille de gaz.
3. Détachez l'ensemble de détendeur de la vanne de la bouteille de gaz.

VOTRE BARBECUE EST MAINTENANT PRÊT À L'EMPLOI

Avant la première utilisation et au début de la saison du barbecue :

1. Lisez attentivement les *Instructions de sécurité, d'allumage et d'utilisation*.
2. Vérifiez que les orifices de la vanne de gaz, les tubes des brûleurs et les orifices des brûleurs ne sont pas obstrués, par ex. par des araignées, des toiles et des insectes.
3. Vérifiez que la bouteille de gaz est pleine.
4. Vérifiez que tous les raccords sont bien serrés. Vérifiez toute présence de gaz.

LISTE DE VÉRIFICATION FINALE DE L'INSTALLATEUR

1. Il y a une distance d'au moins 1 m entre les matières combustibles sur les côtés et à l'arrière du barbecue.
2. Il n'y a pas de matières combustibles sans protection au-dessus du barbecue.
3. Tous les emballages internes sont retirés.
4. Les brûleurs reposent correctement sur les orifices.
5. Les moiettes se tournent facilement.
6. L'appareil a été testé et il n'a pas de fuite.
7. L'utilisateur connaît l'emplacement de la vanne d'arrêt de gaz.

INSTRUCTIONS D'ALLUMAGE DU BARBECUE

- **MISE EN GARDE : IMPORTANT !**
- **AVANT L'ALLUMAGE**

Enfin, inspectez le tuyau d'arrivée de gaz avant de mettre le gaz sur "Activé". S'il y a des traces de coupure, d'usure ou d'abrasion, alors le tuyau doit être changé avant utilisation et l'ensemble de tuyau de rechange doit être celui qui est recommandé par le fabricant.

TRÈS IMPORTANT : INSPECTEZ TOUJOURS LE TUYAU AVANT CHAQUE UTILISATION DU BARBECUE.

- **POUR ALLUMER LES BRÛLEURS PRINCIPAUX DU BARBECUE :**

1. Lisez les instructions avant d'allumer.
2. Réglez toutes les molettes sur la position "O" puis ouvrez le robinet du réservoir de gaz. Éloignez toujours votre visage et votre corps le plus possible du barbecue lorsque vous l'allumez.
3. Ouvrez le couvercle pendant l'allumage.
4. Appuyez sur chaque molette de réglage et tournez-les doucement jusqu'à la position "MAX". L'électrode fera une étincelle simultanément pour allumer chaque brûleur dans l'ordre. Recommencez cette procédure pour allumer chaque brûleur. Réglez IMMÉDIATEMENT la molette sur la position "O" si le brûleur ne s'allume pas dans les 5 secondes, attendez 5 minutes le temps que le gaz se disperse, puis recommencez la procédure d'allumage.
5. Suivez les instructions d'allumage avec une allumette si vous n'arrivez pas à allumer le brûleur au bout de 3 à 4 essais.

- **POUR ALLUMER LES BRÛLEURS PRINCIPAUX AVEC DES ALLUMETTES :**

Si vous n'arrivez pas à allumer le brûleur au bout de plusieurs essais, vous pouvez l'allumer avec une allumette.

Utilisation :

1. Lisez les instructions avant l'allumage.
2. Ouvrez le couvercle pendant l'allumage.
3. Placez simplement une allumette entre les enroulements à l'extrémité de la tige d'allumage, allumez l'allumette et introduisez-la dans le trou du foyer pour l'allumer.
4. Appuyez sur la molette et tournez-la jusqu'en position "MAX" et vérifiez que le brûleur s'allume et reste allumé.
5. Recommencez les étapes 3 et 4 pour allumer les autres brûleurs.

Gardez un pulvérisateur et de l'eau savonneuse à proximité de la vanne d'arrivée de gaz et inspectez les raccords avant chaque utilisation.

N'allumez pas le barbecue s'il y a une odeur de gaz.

- **CARACTÉRISTIQUES DES FLAMMES**

Vérifiez que les flammes du brûleur ont les bonnes caractéristiques. Chaque brûleur est réglé en usine, mais des variations du réseau de gaz de ville peuvent nécessiter des ajustements subtils.

Les flammes des brûleurs doivent être bleues et stables, sans pointes jaunes, ni bruit excessif ni montée. En cas de présence de l'une de ces conditions, appelez notre service après-vente. Si une flamme est jaune, cela indique qu'elle manque d'air. Si une flamme est trop bruyante et tend à monter hors du brûleur, cela indique qu'il y a trop d'air.

REMARQUE : ce n'est pas grave s'il y a de petites pointes jaunes.

PLACEMENT DU BARBECUE

1. Nettoyez le barbecue.
2. Rangez le barbecue à l'extérieur dans un endroit sec, bien aéré, hors de portée des enfants et avec la bouteille de gaz raccordée au barbecue.
3. Rangez le barbecue en intérieur UNIQUEMENT après que le réservoir de gaz a été coupé et enlevé, car le réservoir de gaz doit être rangé en extérieur, hors de portée des enfants, JAMAIS dans un bâtiment, un garage ou un autre endroit confiné.
4. Mettez en place le couvercle en vinyle fourni avec ce barbecue.

RECHERCHE DE DÉFAUTS

SI LE BARBECUE NE S'ALLUME PAS

1. Coupez le gaz à la source et réglez toutes les molettes de réglage des brûleurs sur "Éteint". Attendez au moins cinq (5) minutes pour que le gaz se dissipe, puis réessayez.
2. Si votre barbecue ne s'allume toujours pas, inspectez l'arrivée de gaz et les raccords.
3. Recommencez la procédure d'allumage. Si votre barbecue ne fonctionne toujours pas, coupez le gaz à la source, réglez toutes les molettes de réglage des brûleurs sur "Éteint", puis faites les vérifications suivantes :

- **Obstruction dans la conduite de gaz**

Correction : Enlevez la conduite de gaz du barbecue. Ne fumez pas ! Ouvrez l'arrivée de gaz pendant une seconde pour enlever toute obstruction dans la conduite de gaz. Fermez l'arrivée de gaz à la source puis raccordez la conduite de gaz au barbecue.

- **Orifice bouché**

Correction : Enlevez les brûleurs du barbecue, Levez chaque brûleur avec précaution et éloignez-le de l'orifice de la vanne de gaz. Enlevez l'orifice de la vanne de gaz et nettoyez toute obstruction grâce à un fil fin. Ensuite, réinstallez tous les orifices, brûleurs, clavettes et éléments de cuisson.

Si vous soupçonnez une obstruction dans les vannes de gaz ou dans la rampe d'alimentation en gaz, contactez votre distributeur ou le fabricant.

LE DÉBIT DE GAZ SEMBLE ANORMAL

1. Vérifiez que la bouteille de gaz n'est pas vide.
2. Les trous des brûleurs sont sales et encrassés.
3. Le détendeur de gaz ne fonctionne pas.

ODEUR DE GAZ

1. La vanne de gaz est ouverte.
2. Le tuyau de gaz fuit (vérifiez cela avec de l'eau savonneuse).
3. Le tuyau de gaz est plié, endommagé ou mal positionné.

LE BARBECUE NE CHAUFFE PAS

1. La vanne de gaz n'est pas ouverte.
2. Les molettes du four sont mal ouvertes.
3. Les brûleurs du four sont éteints.

FUMÉE EXCESSIVE

1. Il reste des huiles et graisses brûlées (Il faut nettoyer la graisse après cuisson).

CUISSON AVEC LE CAPOT BAISSÉ

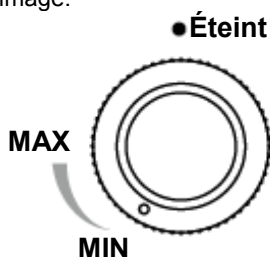
IMPORTANT :

N'utilisez jamais tous les brûleurs en position "MAX" lorsque vous cuisez avec le capot baissé.

Préchauffage : Faites chauffer le BBQ avec le capot baissé avec tous les brûleurs au max. pendant 10 à 15 minutes.

Cuisson : Réglez tous les brûleurs au minimum. Vous pouvez ensuite ajuster les brûleurs à la température de cuisson nécessaire, SANS dépasser 250 °C.

Remarque : Si vous dépassez 250 °C pendant une longue durée, le produit risque d'être endommagé.



ENTRETIEN ET MAINTENANCE

Comme pour tous les appareils, un bon entretien gardera ce barbecue en bon état de marche et prolongera sa durée de vie. Votre nouveau barbecue à gaz ne fait pas exception. Si vous suivez ces procédures de nettoyage en temps opportun, votre barbecue restera propre et fonctionnera bien avec le minimum d'effort.

RETOUR DE FLAMME

Parfois des araignées et de petits insectes tissent des toiles ou font des nids dans les tubes des brûleurs pendant l'entreposage et le transport du barbecue. Ces toiles bouchent parfois les tubes, ce qui peut causer un feu à l'intérieur et autour des tubes des brûleurs. Il est recommandé de les nettoyer avec une brosse douce avant utilisation et au moins tous les six mois. Ce type de feu s'appelle "RETOUR DE FLAMME" et peut endommager gravement votre barbecue et créer des conditions de fonctionnement dangereuses pour l'utilisateur. Bien qu'un tube de brûleur bouché ne soit pas la seule cause de "RETOUR DE FLAMME", il s'agit de la cause la plus courante, voilà pourquoi il faut inspecter fréquemment les tubes des brûleurs.

S'il y a un feu à l'intérieur et autour du brûleur, coupez immédiatement le gaz à sa source, réglez la molette du brûleur sur "OFF", attendez que le barbecue ait refroidi, puis nettoyez les tubes et les orifices du brûleur.

NETTOYAGE DU RÉCUPÉRATEUR DE GRAISSE

Pour éviter que de la graisse ne goutte du barbecue, enlevez le récupérateur de graisse et videz-le après chaque utilisation. Vous pouvez mettre une petite quantité d'eau dans le récupérateur de graisse avant utilisation pour pouvoir enlever la graisse plus facilement. Attendez que le récupérateur de graisse soit froid au toucher avant de vider son contenu. Il faut laver périodiquement le récupérateur de graisse dans une solution de détergent doux et d'eau tiède.

ENTRETIEN DE LA SURFACE DE CUISSON

Votre barbecue est fourni avec une grille et une plaque émaillées. Il est important d'utiliser et d'entretenir correctement la surface de cuisson afin d'assurer une cuisson sans tracas.

Nettoyez complètement pendant que la surface de cuisson refroidit.

Ne laissez pas d'ingrédient sur la surface de cuisson quand vous n'utilisez pas l'appareil.

RÉPARATION

Si l'appareil ne peut pas être réglé pour fonctionner correctement, ne l'utilisez pas tant qu'il n'a pas été réparé.

MAINTENANCE

NETTOYAGE DES TUBES ET ORIFICES DES BRÛLEURS

Afin de réduire le risque de RETOUR DE FLAMME, vous devez nettoyer les tubes des brûleurs comme ci-dessous au moins une fois par mois en été et en automne ou dès que des araignées sont actives dans votre région, et si votre barbecue n'a pas été utilisé pendant longtemps.

1. Tournez toutes les vannes des brûleurs à fond en position "OFF".
2. Réglez la vanne de la bouteille de gaz à fond en position "OFF".
3. Détachez l'ensemble de détendeur de gaz de votre barbecue à gaz.
4. Enlevez les plaques de cuisson de votre barbecue.
5. Enlevez la clavette à l'arrière de chaque brûleur grâce à une pince de serrage.
6. Levez chaque brûleur avec précaution et éloignez-le de l'orifice de la vanne de gaz.
7. Vérifiez qu'il n'y a d'insectes ni de ni d'insectes dans les tubes des brûleurs/de Venturi et nettoyez-les le cas échéant. Un tube obstrué peut provoquer un incendie sous le barbecue.
8. Consultez le schéma 1 et utilisez l'une de ces trois méthodes de nettoyage :

MÉTHODE 1 : Courbez un fil rigide ou un cintre en fil métallique pour former un crochet comme illustré et faites passer le crochet dans le tube du brûleur et à l'intérieur du brûleur plusieurs fois pour enlever les débris.



MÉTHODE 2 : Utilisez un écouvillon à poignée souple et faites-la passer dans le tube du brûleur et à l'intérieur du brûleur plusieurs fois pour enlever les débris.

MÉTHODE 3 : Utilisez un tuyau d'air pour faire passer de l'air de force dans chaque tube de brûleur. L'air forcé doit éjecter les débris ou obstructions qui sont dans le brûleur et ses orifices.

Quelle que soit votre méthode de nettoyage, nous vous recommandons également de suivre la procédure ci-dessous pour prolonger la durée de vie des brûleurs.

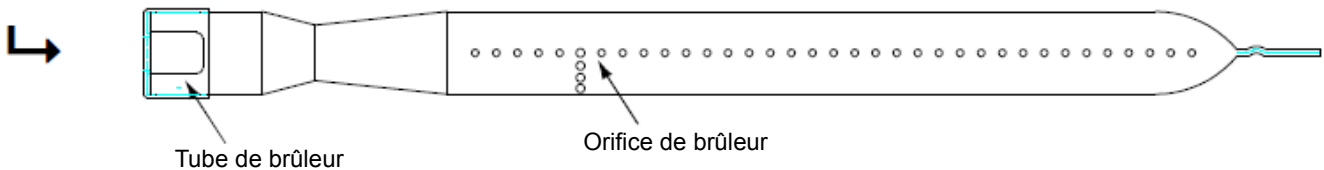
1. Utilisez un disque en fibre ou une brosse en nylon pour nettoyer toute la surface extérieure de chaque brûleur jusqu'à ce qu'il n'y reste plus de résidus de nourriture ni de saleté.
2. Nettoyez les orifices obstrués à l'aide d'un fil rigide, tel qu'un trombone ouvert.
3. Vérifiez qu'aucun brûleur n'est endommagé (*fissures ou trous*), et si des dommages sont constatés, commandez et installez-en des neufs. Après installation, vérifiez que les orifices des vannes de gaz sont correctement placés à l'intérieur des extrémités des tubes des brûleurs. Vérifiez également la position de votre électrode d'allumage.



POUR UNE UTILISATION EN TOUTE SÉCURITÉ, VÉRIFIEZ QUE L'ORIFICE DE L'ENSEMBLE DE VANNE DE GAZ EST À L'INTÉRIEUR DU TUBE DE BRÛLEUR AVANT D'UTILISER VOTRE BARBECUE. SI L'ORIFICE N'EST PAS À L'INTÉRIEUR DU TUBE, L'ALLUMAGE DU BRÛLEUR PEUT CAUSER UNE EXPLOSION ET/OU UN INCENDIE ENTRAÎNANT DES BLESSURES GRAVES ET/OU DES DOMMAGES MATÉRIELS.

Schéma 1

Pour nettoyer le tube du brûleur, insérez le crochet comme indiqué par la flèche.





ÜBERPRÜFEN SIE DEN GRILL JEDES MAL, BEVOR SIE IHN VERWENDEN AUF MÖGLICHE GASLECKS.

Sie sollten diesem Verfahren folgen, wenn folgende Situationen auftreten:

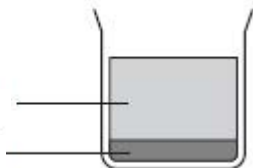
- Wenn Sie den Grill für einen längeren Zeitraum nicht verwendet haben.
- Bei der Erstmontage des Grills.
- Nach jedem Abtrennen und Wiederherstellen der Schlauchleitungsverbindung.
- Nach dem Wechseln der Gasflasche.
- Nach dem erneuten Anschließen der Gasflasche, nachdem sie für die Lagerung getrennt wurde.

SUCHE NACH GASLECKS

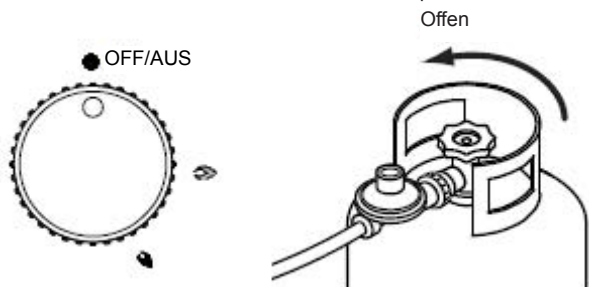


NACH LECKS NIE MIT EINER OFFENEN FLAMME SUCHEN.

1. (1) Teil Flüssigwaschmittel und vier (4) Teile Wasser mischen.

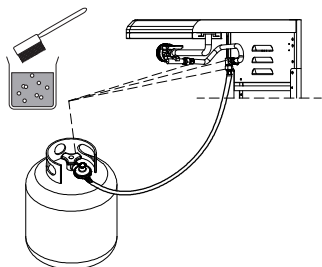


2. Drehen Sie den/die Knopf/Knöpfe des Gasflammenreglers auf die Position „OFF/AUS“, dann drehen Sie die Gasquelle auf.



WENN EIN GASLECK VORHANDEN IST, DAS SIE NICHT REPARIEREN KÖNNEN, DREHEN SIE DIE GASQUELLE ZU. KONTAKTIEREN SIE DEN KUNDENDIENST.

3. Tragen Sie die flüssige Waschmittellösung auf alle sichtbaren und erreichbaren Gasanschlüsse auf, einschließlich des Gasflaschenanschlusses. In der flüssigen Waschmittellösung treten Blasen auf, wenn die Verbindungen nicht ordnungsgemäß versiegelt sind. Ziehen Sie die Anschlüsse fest oder reparieren Sie sie bei Bedarf.



SUCHE NACH GASLECKS

Dieser Grill ist für den Einsatz von Erdgas zugelassen, muss dafür aber ordnungsgemäß vom werksseitig voreingestellten Propangas umgebaut werden. Wenden Sie sich für weitere Informationen an Ihren **Kundendienst**.

Umbau und Installation müssen von einem zugelassenen Klempner oder Gasinstallateur und gemäß den örtlich geltenden Gesetzen durchgeführt werden.

STELLEN SIE SICHER, DASS DIE GASFLAMMENREGLER GESCHLOSSEN SIND

WICHTIG: Stellen Sie sicher, dass sich die Gasflammenregler in der Position „OFF/AUS“ befinden, bevor Sie den Grill an die Gasquelle anschließen oder ihn davon trennen.

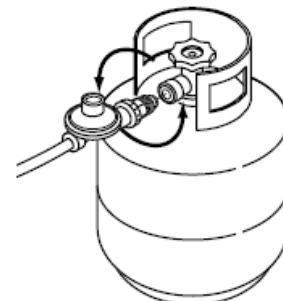
HINWEIS: Die Position „OFF/AUS“ ist auf dem Bedienfeld entweder mit einem kleinen, schwarzen Punkt, einem kurzen, vertikalen Strich oder mit dem Wort „OFF/AUS“ gekennzeichnet.

ACHTUNG: Wenn das Gerät nicht benutzt wird, muss die Gaszufuhr an der Gasflasche abgedreht werden.

Machen Sie sich mit den allgemeinen Informationen und Sicherheitsrichtlinien vertraut, die sich auf der Vorderseite dieser Bedienungsanleitung befinden. Überprüfen Sie, ob die Gasflasche gefüllt ist und sich das Ende der entsprechenden Gasflammenröhre genau über der jeweiligen Ventilöffnung befindet. Drehen Sie die Gasflammenregler auf die Position „OFF/AUS“.

ANSCHLIESSEN UND TRENNEN DER GASQUELLE ANSCHLIESSEN AN DIE GASQUELLE

1. Stellen Sie die Gasflasche in den Unterschrank und sichern Sie sie.
2. Befestigen Sie den Regler und die Schlauchleitungsverbindung am Ventilausgang der Gasflasche. Fest anziehen.
3. Öffnen Sie das Gasflaschenventil vollständig, damit das Gas entweichen kann.
4. Bevor Sie den Grill anzünden, überprüfen Sie alle erreichbaren Verbindungen mit einer Seifenwasserlösung sorgfältig auf Gaslecks.
5. Falls ein Leck aufgetreten ist, drehen Sie das Gasflaschenventil zu, und überprüfen Sie alle Verbindungen, ob sie fest angezogen sind. Falls das Leck weiterhin besteht, verwenden Sie den Grill nicht, bevor er repariert wurde oder ein Austausch erfolgt ist.



TRENNEN DER GASQUELLE

1. Drehen Sie die Gasflammenregler auf „OFF/AUS“.
2. Drehen Sie das Gasflaschenventil vollständig zu.
3. Entfernen Sie die Reglerverbindung vom Gasflaschenventil.

SIE KÖNNEN IHREN GRILL JETZT VERWENDEN

Vor der ersten Benutzung und zu Beginn jeder Grillsaison:

1. Lesen Sie bitte die *Sicherheits-, Befeuierungs- und Bedienungsanweisungen* sorgfältig durch.
2. Überprüfen Sie Gasventilöffnungen, Gasflammenröhren und -anschlüsse auf irgendwelche Fremdkörper, z. B. *Spinnen, Spinnennetze, Insekten*.
3. Überprüfen Sie und stellen Sie sicher, dass die Gasflasche gefüllt ist.
4. *Stellen Sie sicher, dass alle Verbindungen fest angezogen sind. Suchen Sie nach Gaslecks.*

ENDKONTROLLE DER INSTALLATION

1. 1 Meter Mindestabstand von brennbaren Aufbauten zu den Seiten und der Rückseite dieses Grills.
2. Über dem Grill darf sich kein ungeschützter brennbarer Aufbau befinden.
3. Alle internen Verpackungen müssen entfernt sein.
4. Die Brenner befinden sich ordnungsgemäß über den Öffnungen.
5. Die Knöpfe lassen sich frei drehen.
6. Gerät wurde auf Lecks überprüft und es sind keine Lecks vorhanden.
7. Der Benutzer hat sich über den Standort des Absperrventils der Gasversorgung informiert.

ANLEITUNG ZUM ANZÜNDEN DES GRILLS

■ **ACHTUNG: WICHTIG!**

■ **VOR DEM ANZÜNDEN**

Überprüfen Sie den Gasversorgungsschlauch erneut, bevor Sie die Gaszufuhr auf „ON/EIN“ stellen. Wenn es Hinweise auf Schnitte, Verschleiß oder Abrieb gibt, muss er vor der Verwendung ersetzt werden. Die Ersatz-Schlauchleitung muss die vom Hersteller empfohlene sein.

SEHR WICHTIG: ÜBERPRÜFEN SIE IMMER DEN SCHLAUCH, BEVOR SIE DIESEN GRILL VERWENDEN.

■ **ANZÜNDEN DER HAUPTBRENNER DES GRILLS:**

1. Lesen Sie vor dem Anzünden die Anleitungen.
2. Drehen Sie alle Knöpfe auf „OFF/AUS“, dann öffnen Sie das Flaschenventil. Halten Sie Gesicht und Körper so weit wie möglich vom Grill entfernt, wenn Sie ihn anzünden.
3. Öffnen Sie während des Anzündvorgangs den Deckel.
4. Schieben und drehen Sie alle Regler langsam auf die Position „MAX“. Die Elektrode erzeugt gleichzeitig Funken, um die Brenner nacheinander anzuzünden. Wiederholen Sie den gleichen Vorgang, um jeden Brenner anzuzünden. Drehen Sie den Regler sofort auf die Position „OFF/AUS“, wenn der Brenner nicht innerhalb von 5 Sekunden gezündet wird. Warten Sie 5 Minuten, bis sich das Gas verflüchtigt hat, dann wiederholen Sie den Anzündvorgang.
5. Befolgen Sie die Anweisungen zum Anzünden mit Streichhölzern, wenn der Brenner nach 3 bis 4 Versuchen nicht angezündet werden kann.

■ **HAUPTBRENNER MIT STREICHHÖLZERN ANZÜNDEN :**

Wenn der Brenner nach einigen Versuchen nicht angezündet werden kann, zünden Sie ihn mit Streichhölzern an.

Verwendung:

1. Lesen Sie vor dem Anzünden die Anleitungen.
2. Öffnen Sie während des Anzündvorgangs den Deckel.
3. Halten Sie einfach ein Streichholz zwischen die Windungen am Ende des Zündstabes. Entzünden Sie das Streichholz und halten Sie es in die Öffnung der Feuerkammer, um das Feuer zu entzünden.
4. Schieben und drehen Sie den Regler auf die Position „MAX“, und stellen Sie sicher, dass der Brenner zündet und weiterhin brennt.
5. Wiederholen Sie den Vorgang 3 bis 4 Mal, um die anderen Brenner anzuzünden.

Halten Sie eine Sprühflasche mit Seifenwasser in die Nähe des Gasventils, und überprüfen Sie die Verbindungen vor jedem Gebrauch.

Zünden Sie den Grill nicht an, wenn Gasgeruch vorhanden ist.

■ **MERKMALE DER FLAMME**

Kontrollieren Sie, ob die Brennerflamme die richtigen Merkmale aufweist. Jeder Brenner wird vor dem Versand angepasst. Durch Unterschiede in der lokalen Gasversorgung können geringe Anpassungen nötig werden.

Die Brennerflammen sollten blau und beständig sein, und keine gelben Spitzen, übermäßige Geräuschentwicklung oder Aufflammen aufweisen. Wenn eine dieser Bedingungen auftritt, wenden Sie sich bitte an unseren Kundendienst. Wenn die Flamme gelb ist, bedeutet das, dass nicht ausreichend Luft vorhanden ist. Wenn die Flamme laut ist und sich tendenziell vom Brenner wegbewegt, ist zu viel Luft vorhanden.

HINWEIS: Kleine gelbe Spitzen sind normal.

AUFSTELLUNG DES GRILLS

1. Reinigen Sie den Grill.
2. Stellen Sie den Grill in einer gut belüfteten und trocknen Umgebung im Freien auf. Halten Sie ihn von Kindern fern, wenn die Gasflasche am Grill angeschlossen ist.
3. Lagern Sie den Grill NUR dann in einer trocknen Umgebung im Inneren, wenn die Gasflasche zugebaut und entfernt wurde. Die Gasflasche muss im Freien, außerhalb der Reichweite von Kindern aufbewahrt werden. Lagern Sie die Gasflasche NIE in einem Gebäude, einer Garage oder in einem sonstigen geschlossenen Bereich.
4. Decken Sie den Grill mit der mitgelieferten Vinyl-Abdeckung ab.

FEHLERSUCHE

WENN SICH DER GRILL NICHT ANZÜNDEN LÄSST

1. Drehen Sie die Gasquelle zu, und drehen Sie die Gasflammenregler auf „OFF/AUS“. Warten Sie mindestens fünf (5) Minuten bis sich das Gas verflüchtigt hat und dann versuchen Sie es erneut.
2. Wenn sich der Grill weiterhin nicht anzünden lässt, überprüfen Sie die Gasversorgung und die Anschlüsse.
3. Wiederholen Sie den Anzündvorgang. Wenn sich der Grill weiterhin nicht anzünden lässt, drehen Sie die Gasquelle zu, drehen Sie die Gasflammenregler auf „OFF/AUS“, dann überprüfen Sie Folgendes:

• Blockierungen in der Gasleitung

Korrektur: Entfernen Sie die Gaszuleitung vom Grill. Nicht rauchen! Öffnen Sie die Gaszuleitung für eine Sekunde, um jede Blockierung aus der Gasleitung zu entfernen. Sperren Sie die Gasversorgung an der Gasquelle ab, und schließen Sie die Gaszuleitung wieder an den Grill an.

• Verstopfte Düse

Korrektur: Entfernen Sie die Brenner vom Grill, Heben Sie jeden Brenner vorsichtig hoch und dann weg von der Gasventilöffnung. Entfernen Sie die Düse vom Gasventil, und entfernen Sie mit einem feinen Draht jede Blockierung. Installieren Sie anschließend alle Düsen, Brenner, Splinte und Kochkomponenten. Wenn ein Hindernis im Gasventil oder in der Sammelleitung vermutet wird, wenden Sie sich an Ihren Händler oder den Hersteller.

ABNORMALER GASSTROM

1. Überprüfen Sie, ob die Gasflasche leer ist.
2. Brenneröffnungen sind verschmutzt und verstopft.
3. Gasregler funktioniert nicht.

GASGERUCH

1. Gasventil ist geöffnet.
2. Gasschlauch ist undicht (Überprüfung mit Seifenwasser).
3. Gasschlauch ist verbogen, beschädigt oder nicht richtig positioniert.

GRILL HEIZT SICH NICHT AUF

1. Gasventil ist nicht geöffnet.
2. Drehknopf ist nicht ordnungsgemäß geöffnet.
3. Brenner wurde ausgeblasen.

ÜBERMÄßIGER RAUCH

1. Öl- oder Fettreste haben sich entzündet (Öle und Fette müssen nach dem Grillen entfernt werden).

GRILLEN MIT GESCHLOSSENER HAUBE

WICHTIG:

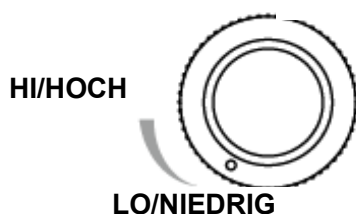
Verwenden Sie niemals alle Brenner auf der Position „HI/HOCH“, wenn Sie mit geschlossener Haube grillen.

Vorwärmen: Betreiben Sie den Grill 10 bis 15 Minuten mit geschlossener Haube und mit allen Brennern auf der Position „HI/HOCH“.

Grillen: Drehen Sie die Brenner auf die niedrige Einstellung. Die Brenner können dann an die gewünschte Kochtemperatur angepasst werden, überschreiten Sie dabei NIEMALS 250 °C.

HINWEIS: Wenn die Temperatur von 250 °C für längere Zeit überschritten wird, kann das zu Schäden am Grill führen.

•OFF/AUS



PFLEGE UND WARTUNG

Wie bei allen Geräten sorgt die richtige Pflege und Wartung dafür, dass sie in einwandfreiem Zustand bleiben und die Nutzungsdauer verlängert wird. Ihr neuer Gasgrill ist keine Ausnahme. Wenn Sie diesen Reinigungsanweisungen regelmäßig folgen, bleibt Ihr Grill sauber, funktioniert einwandfrei und das bei minimalem Aufwand.

STICHFLAMME

Spinnen und kleine Insekten bauen während der Lagerung und beim Transport gelegentlich Netze oder Nester in den Brennerrohre. Diese Netze können den Gasstrom blockieren, was zu einem Brand in und um die Brennerrohre führen könnte. Es wird empfohlen, vor jedem Gebrauch und mindestens alle sechs Monate eine Reinigung mit einer weichen Bürste durchzuführen. Diese Art des Feuers ist bekannt als „STICHFLAMME“ und kann eine ernste Gefahr für Ihren Grill und für Ihre Sicherheit darstellen. Obwohl ein verstopftes Brennerrohr nicht die einzige Ursache für eine „STICHFLAMME“ ist, ist sie die häufigste Ursache und deshalb ist eine regelmäßige Kontrolle und Reinigung der Brennerrohre notwendig. Wenn ein Brand in und um den Brenner auftritt, drehen Sie sofort die Gasquelle zu, und drehen Sie den Gasflammenregler auf „OFF/AUS“. Warten Sie so lange, bis sich der Grill abgekühlt hat, und dann reinigen Sie die Brennerrohre und Brenneranschlüsse.

REINIGUNG DER FETTSCHALE

Um zu vermeiden, dass Öl oder Fett aus dem Grill tropft, entfernen und leeren Sie die Tropfschale nach jeder Verwendung. Um die Entfernung des Fetts zu erleichtern, kann vor der Verwendung eine kleine Menge Wasser in die Tropfschale gegossen werden. Warten Sie, bis sich die Tropfschale abgekühlt hat, bevor Sie den Inhalt entsorgen. Die Tropfschale sollte regelmäßig mit einer milden Reinigungsmittel- und Warmwasserlösung ausgewaschen werden.

PFLEGE DER KOCHFLÄCHE

Ihr Grill wird mit einem emaillierten Grillrost und einer Platte geliefert. Die ordnungsgemäße Verwendung und Pflege der Grillfläche ist wichtig, um ein störungsfreies Grillen zu gewährleisten.

Reinigen Sie die Grillfläche gründlich, während sie sich abkühlt. Lassen Sie bei Nichtgebrauch keine Lebensmittel auf der Grillfläche liegen.

SERVICE

Wenn das Gerät nicht so angepasst werden kann, dass es ohne Probleme funktioniert, verwenden Sie es nicht, bevor es repariert wurde.

WARTUNG

REINIGUNG DER BRENNERROHRE UND BRENNERANSCHLÜSSE

Um STICHFLAMMEN zu vermeiden, müssen die Brennerrohre mindestens einmal im Monat im Sommer und Herbst gereinigt werden, oder wenn Spinnen in Ihrer Region aktiv sind, und wenn Ihr Grill für längere Zeit nicht benutzt wurde.

1. Drehen Sie alle Brennerventile in die volle „OFF/AUS“-Position.
2. Drehen Sie das Propangasflaschenventil in die volle „OFF/AUS“-Position.
3. Entfernen Sie die Propangasregler-Verbindung von Ihrem Gasgrill.
4. Entfernen Sie die Grillplatten aus Ihrem Grill.
5. Entfernen Sie mit einer Flachzange den Splint von der Rückseite jedes Brenners.
6. Heben Sie jeden Brenner vorsichtig hoch und dann weg von der Gasventilöffnung.
7. Überprüfen und reinigen Sie Brenner/Venturirohre von Insekten und Insektenestern. Ein verstopftes Rohr kann zu einem Feuer unter dem Grill führen.
8. Siehe Abbildung 1. Führen Sie eine der folgenden drei Reinigungsmethoden durch:

METHODE 1: Biegen Sie einen steifen Draht oder Drahtkleiderbügel zu einem kleinen Haken, wie dargestellt, und bewegen Sie den Haken durch das Brennerrohr und innerhalb des Brenners mehrmals vor und zurück, um Schmutz und Ablagerungen zu entfernen.



METHODE 2: Verwenden Sie eine Flaschenbürste mit einem flexiblen Griff und bewegen Sie die Bürste durch das Brennerrohr und innerhalb des Brenners mehrmals vor und zurück, um Schmutz und Ablagerungen zu entfernen.

METHODE 3: Verwenden Sie einen Luftschauch, um Luft durch jedes Brennerrohr zu blasen. Die Druckluft sollte Schmutz oder Fremdkörper durch den Brenner und aus den Anschlüssen blasen.

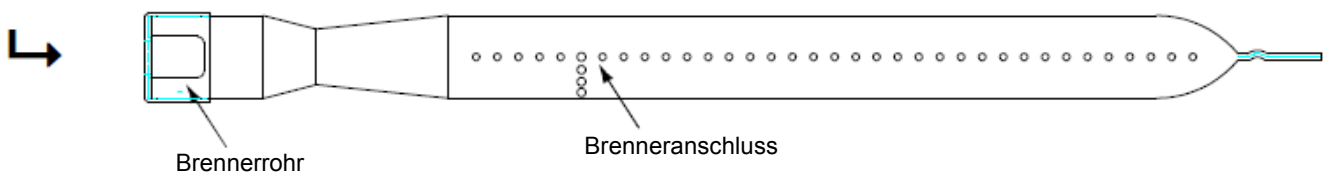
Unabhängig davon, welche Reinigungsmethode Sie für die Brenner verwenden, wird empfohlen, dass Sie die folgenden Schritte ausführen, um die Lebensdauer der Brenner zu erhöhen.

1. Verwenden Sie ein Faser-Pad oder eine Nylonbürste, um die gesamte Außenfläche jedes Brenners von Lebensmittelrückständen und Schmutz zu reinigen.
2. Reinigen Sie alle verstopften Anschlüsse mit einem steifen Draht, zum Beispiel einer offenen Büroklammer.
3. Kontrollieren Sie jeden Brenner auf Schäden (*Risse oder Löcher*), und wenn Sie solche Schäden feststellen, bestellen und installieren Sie einen neuen Brenner. Stellen Sie nach der Installation sicher, dass die Gasventilöffnungen korrekt in den Enden der Brennerrohre platziert sind. Überprüfen Sie auch die Position Ihrer Funkenelektrode.



ÜBERPRÜFEN SIE FÜR EINEN SICHEREN BETRIEB, DASS SICH DIE GASVENTILÖFFNUNG IM INNEREN DES BRENNERROHRS BEFINDET, BEVOR SIE DEN GRILL VERWENDEN. WENN SICH DIE ÖFFNUNG NICHT IM INNEREN DES BRENNERROHRS BEFINDET, KANN ES BEIM ANZÜNDEN DES BRENNERS ZU EINER EXPLOSION UND/ODER EINEM FEUER KOMMEN, WODURCH SCHWERE VERLETZUNGEN UND/ODER SACHSCHÄDEN AUFTRETEN KÖNNEN.

Abbildung 1
Führen Sie den Haken so in das Brennerrohr ein, wie durch den Pfeil angezeigt.



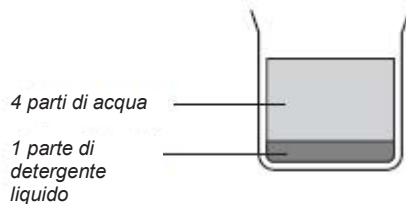
**CONTROLLARE SEMPRE LA PRESENZA DI PERDITE GAS OGNI VOLTA CHE SI UTILIZZA IL BARBECUE.**

È necessario seguire questa procedura dopo i casi seguenti:

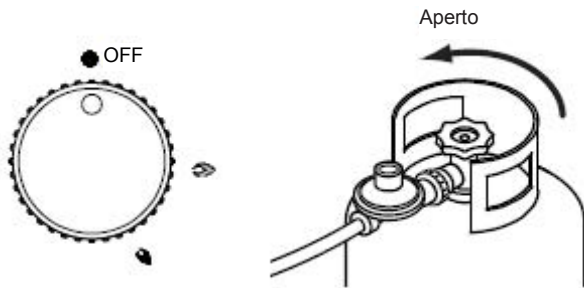
- Inutilizzo del barbecue per un periodo di tempo prolungato,
- Montaggio iniziale del barbecue,
- Qualsiasi scollegamento e ricollegamento del tubo flessibile,
- Ricambio della bombola del gas,
- Ricollegamento della bombola dopo averla scollegata per l'immagazzinaggio.

CONTROLLO DI PERDITE DI GAS**NON VERIFICARE EVENTUALI PERDITE CON UNA FIAMMA.**

1. Preparare una soluzione di detergente liquido mescolando una (1) parte di detergente liquido e quattro (4) parti di acqua.

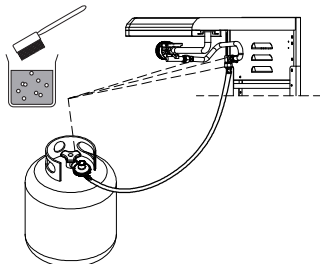


2. Girare la manopola (o le manopole) di controllo del bruciatore su OFF, quindi aprire il gas alla fonte.



RIMEDIABILE, SPEGNERE IL GAS ALLA FONTE. CONTATTARE IL

3. Applicare la soluzione con il detergente liquido su tutte le connessioni del gas visibili e accessibili, compreso il collegamento alla bombola. Se i collegamenti non sono adeguatamente sigillati, nella soluzione di detergente liquido appariranno delle bolle. Serrare o correggere, se necessario.

**CONTROLLO DI PERDITE DI GAS**

Questo barbecue è approvato per uso con gas naturale, ma in deve essere correttamente convertito dalle impostazioni di fabbrica per gas di petrolio (LP). Contattate il proprio **rappresentante di servizio** per i dettagli. La conversione e l'installazione devono essere effettuate da un idraulico professionista o un montatore di impianti a gas e rispettare le normative locali

ASSICURARSI CHE I CONTROLLI DEL BRUCIATORE SIANO SPENTI

IMPORTANTE: Prima di collegare e scollegare il barbecue rispetto alla fonte di gas, garantire che i controlli dei bruciatori siano in posizione 'OFF'.

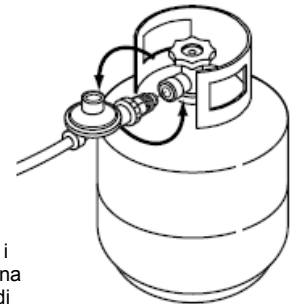
NOTA: La posizione 'OFF' sul pannello di controllo è identificata sia da un piccolo punto nero / breve linea verticale nera / che dalla parola 'OFF'.

ATTENZIONE: Quando l'apparecchio non è in uso, chiudere il gas dalla bombola.

Familiarizzare con le informazioni e le istruzioni di sicurezza generali nella prima parte di questo opuscolo. Verificare che bombola sia riempita e che la fine di ogni tubo del bruciatore si trovi correttamente su ogni orifizio della valvola. Impostare i controlli bruciatore sulla posizione 'OFF'.

COLLEGAMENTO E DISCONNESSIONE RISPETTO ALLA FONTE DI GAS COLLEGAMENTO ALLA FONTE DI GAS

1. Mettere la bombola del gas nello scomparto e fissarla.
2. Fissare il regolatore e il tubo alla valvola della bombola. Serrare saldamente.
3. Aprire completamente la valvola della bombola del gas per consentire al gas di fluire.
4. Provare accuratamente la tenuta tutti i collegamenti accessibili utilizzando una soluzione di acqua saponata prima di accendere il barbecue.
5. Se viene trovata una perdita, portare la valvola della bombola del gas su off e ricontrollare che tutti i collegamenti siano ben serrati. Se c'è ancora una perdita non utilizzare il barbecue fino alla riparazione o sostituzione.

**Disconnessione dalla fonte di gas**

1. Ruotare i controlli del bruciatore su 'OFF'
2. Ruotare la valvola della bombola del gas in posizione completamente chiusa.
3. Staccare il gruppo regolatore della bombola del gas.

ORA IL BARBECUE E' PRONTO PER L'USO

Prima del primo utilizzo e all'inizio di ogni stagione:

1. Si prega di leggere accuratamente le istruzioni di *Sicurezza, accensione e funzionamento*.
2. Controllare i fori della valvola del gas, i tubi del bruciatore e i fori del bruciatore per verificare la presenza di eventuali ostruzioni, ad es. *ragni, ragnatele, insetti*.
3. Controllare e assicurarsi che la bombola del gas sia piena.
4. Assicurarsi che tutti i collegamenti siano ben fissati. Controllare la presenza di eventuali perdite di gas.

CHECKLIST FINALE PER L'INSTALLATORE

1. C'è una distanza di almeno 1 m tra qualsiasi costruzione infiammabile e i lati e il retro del barbecue.
2. Non c'è alcun materiale combustibile non protetto al di sopra della griglia.
3. Tutte le confezioni interne sono state rimosse.
4. I bruciatori sono essere posti correttamente sugli orifizi.
5. Le manopole girano liberamente.
6. L'apparecchio è stato testato ed è privo di perdite.
7. L'utente è informato riguardo la posizione della valvola di alimentazione e chiusura del gas.

ISTRUZIONI PER L'ACCENSIONE

- **ATTENZIONE: IMPORTANTE!**
- **PRIMA DI ACCENDERE**

Ispezionare il tubo di alimentazione del gas prima di girare il gas su "ON". Se si riscontrano tagli, usura o abrasione, il tubo deve essere sostituito prima dell'uso. Il tubo di sostituzione e i relativi accessori devono essere quelli indicati dal costruttore.

MOLTO IMPORTANTE: CONTROLLARE SEMPRE IL TUBO PRIMA DI OGNI UTILIZZO DEL BARBECUE.

- **ACCENSIONE DEI BRUCIATORI PRINCIPALI:**

1. Leggere le istruzioni prima dell'accensione.
2. Ruotare tutte le manopole su "O", quindi aprire la valvola della bombola. Tenere sempre il viso e il corpo il più possibile lontano dall'apparecchio durante l'accensione.
3. Aprire il coperchio durante l'accensione.
4. Premere e ruotare lentamente qualsiasi manopola in posizione "MAX". L'elettrodo emetterà scintille simultaneamente per accendere i bruciatori in sequenza. Ripetere la stessa operazione per accendere ogni bruciatore. Ruotare IMMEDIATAMENTE la manopola di controllo in posizione "O" se il bruciatore non si accende entro 5 secondi. Attendere 5 minuti per consentire la dispersione del gas, quindi ripetere la procedura di accensione.
5. Seguire le istruzioni di accensione con un fiammifero se il bruciatore non si accende dopo 3-4 tentativi.

- **ACCENSIONE DEI BRUCIATORI PRINCIPALI CON UN FIAMMIFERO :**

Se il bruciatore non si accende dopo diversi tentativi, si può procedere all'accensione utilizzando un fiammifero.

Utilizzo:

1. Leggere le istruzioni prima dell'accensione.
2. Aprire il coperchio durante l'accensione.
3. Per accendere, è sufficiente posizionare un fiammifero tra le spire sull'estremità dell'asta di accensione, accendere partita e inserirlo nel foro del focolare.
4. Premere e ruotare la manopola in posizione "MAX", assicurarsi che il bruciatore si accenda e rimanga acceso.
5. Ripetere i passi 3 ~ 4 per accendere gli altri bruciatori.

Tenere un flacone spray di acqua saponata in prossimità della valvola di alimentazione del gas e controllare i collegamenti prima di ogni utilizzo.

Non accendere il barbecue se è si sente odore di gas.

- **CARATTERISTICHE DELLA FIAMMA**

Verificare la presenza delle corrette caratteristiche della fiamma dei bruciatori. Ogni bruciatore è regolato prima della spedizione; tuttavia, eventuali variazioni nella fornitura locale del gas possono richiedere alcune piccole regolazioni.

Le fiamme dei bruciatori devono essere di colore blu e stabili, senza punte gialle, rumore eccessivo, o variazione verticale. Se si riscontra anche una di queste condizioni chiamare il nostro servizio clienti. La fiamma è gialla indica un'insufficienza di aria. Se la fiamma è rumorosa e tende a sollevarsi dal bruciatore, questo indica un eccesso di aria.

NOTA: la presenza di piccole punte gialle è normale.

COLLOCAZIONE DEL BARBECUE

1. Pulire il barbecue.
2. Conservare il barbecue all'aperto in un luogo asciutto, ben ventilato e fuori dalla portata dei bambini quando la bombola del gas è collegata all'apparecchio.
3. Conservare il barbecue in ambienti chiusi e asciutti dopo aver spento e rimosso la bombola del gas. La bombola va immagazzinata all'aperto, fuori dalla portata dei bambini. Non conservare la bombola in un edificio, garage o qualsiasi altra area chiusa.
4. Utilizzare la copertura in vinile in dotazione con il barbecue.

VERIFICA GUASTI

SE IL BARBECUE NON SI ACCENDE

1. Spegner gas alla fonte e ruotare le manopole di regolazione dei bruciatori su 'OFF'. Attendere almeno cinque (5) minuti per consentire la dispersione del gas, quindi riprovare.
2. Se il barbecue non riesce ancora ad accendersi, controllare la fornitura di gas e i collegamenti.
3. Ripetere la procedura di accensione. Se il barbecue continua a non funzionare, spegnere il gas alla fonte, ruotare le manopole di controllo su 'OFF' e controllare quanto segue:

• Ostruzioni lungo la linea del gas

Correzione: Rimuovere il tubo del gas dal barbecue. Non fumare! Aprire l'alimentazione del gas per un secondo per eliminare eventuali ostruzioni dal tubo. Chiudere l'alimentazione del gas alla fonte e ricollegare il tubo del gas al barbecue.

• Orificio otturato

Correzione: Rimuovere i bruciatori dal barbecue. Sollevare delicatamente ogni bruciatore allontanandolo dall'orificio della valvola del gas. Rimuovere l'orificio dalla valvola del gas ed eliminare delicatamente eventuali ostruzioni con un filo sottile. Quindi reinstallare tutti gli orifici, i bruciatori, le coppiglie e i componenti di cottura.

Se si sospetta un'ostruzione nelle valvole del gas o nel collettore, rivolgersi al punto di acquisto o al produttore.

IL FLUSSO DI GAS SEMBRA ANORMALE

1. Verificare che bombola del gas non sia vuota.
2. I fori del bruciatore sono sporchi e ostruiti.
3. Il regolatore del gas non funziona.

ODORE DI GAS

1. La valvola del gas è aperta.
2. Il tubo del gas ha una perdita (verificare con acqua e sapone)
3. Il tubo del gas è piegato, danneggiato o non posizionato correttamente.

IL BARBECUE NON SI RISCALDA

1. La valvola del gas non è aperta.
2. La manopola del forno non è aperta correttamente.
3. Il bruciatore del forno si è fuso.

FUMO ECCESSIVO

1. Bruciatura di oli e grassi lasciati da una precedente cottura (oli e grassi vanno puliti dopo ogni cottura).

COTTURA CON IL COPERCHIO ABBASSATO

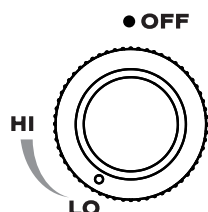
IMPORTANTE:

Non impostare mai tutti i bruciatori su 'HI' (alto) quando si cucina con il coperchio abbassato.

Pre-riscaldamento: Barbecue con il coperchio chiuso con tutti i bruciatori sul livello alto per 10-15 min.

Cottura: Posizionare i bruciatori sul livello basso. I bruciatori possono essere regolati per la temperatura di cottura desiderata, NON superare i 250 °C.

NOTA: Il superamento dei 250 °C per un tempo prolungato può causare danni al barbecue.



CURA E MANUTENZIONE

Come per tutti gli elettrodomestici, la cura e la manutenzione mantengono l'apparecchio nelle migliori condizioni operative e ne prolunga la durata. Il vostro nuovo barbecue a gas non fa eccezione. Applicando queste procedure di pulizia in modo regolare, il vostro barbecue si manterrà pulito e ben funzionante con il minimo sforzo.

RITORNO DI FIAMMA

Ragni e piccoli insetti talvolta tessono ragnatele o si annidano nei tubi del bruciatore durante l'immagazzinamento e il trasporto. Queste ragnatele possono causare un'ostruzione del flusso del gas che potrebbe provocare un incendio dentro e attorno ai tubi del bruciatore. Si raccomanda la pulizia con una spazzola morbida prima dell'uso e almeno ogni sei mesi. Questo tipo di fiamma è noto come 'RITORNO DI FIAMMA' e può causare gravi danni al barbecue e creare una condizione di pericolo per l'utente. Anche se l'ostruzione di un tubo del bruciatore non è l'unica causa del 'ritorno di fiamma' è comunque la causa più comune. Occorre quindi effettuare una frequente ispezione e pulizia dei tubi del bruciatore. In caso di incendio all'interno del bruciatore e nella zona circostante, spegnere immediatamente il gas alla fonte e ruotare il comando del bruciatore su 'OFF'. Attendere che il barbecue si raffreddi, quindi pulire i tubi e i fori del bruciatore.

PULIZIA DEL VASSOIO DEL GRASSO

Per evitare il gocciolamento di grasso o olio dal barbecue rimuovere e svuotare il vassoio raccogli gocce dopo ogni utilizzo. Si può collocare una piccola quantità di acqua nella vassoio prima dell'uso per aiutare la rimozione del grasso. Attendere che il gocciolatoio sia freddo al tatto prima di smaltirne il contenuto. Il vassoio di raccolta deve essere lavato periodicamente con una soluzione di acqua tiepida e un detergente delicato.

CURA DELLA SUPERFICIE DI COTTURA

Il vostro barbecue è dotato di una griglia e di una piastra smaltate. Un uso corretto e la cura delle superfici di cottura sono importanti per garantire una cottura priva di problemi. Pulire accuratamente la superficie di cottura una volta che si è raffreddata.

Non lasciare cibo sul piano di cottura quando non in uso.

MANUTENZIONE

Se non si riesce a far funzionare correttamente l'apparecchio, non utilizzarlo prima di averlo fatto riparare.

MANUTENZIONE

PULIZIA DEI TUBI E DEI FORI DEL BRUCIATORE

Per ridurre la possibilità di ritorno di fiamma è necessario pulire i tubi del bruciatore come segue, almeno una volta al mese in estate e in autunno oppure nel periodo di attività dei ragni nella vostra zona, e se il barbecue non è stato utilizzato per un periodo di tempo prolungato.

1. Ruotare tutte le valvole del bruciatore in posizione 'OFF'.
2. Girare la valvola della bombola del gas LP in posizione 'OFF'.
3. Staccare il regolatore del gas LP dal barbecue.
4. Rimuovere le piastre di cottura dal barbecue.
5. Rimuovere la coppiglia dal retro di ogni bruciatore con una pinzetta.
6. Sollevare delicatamente ogni bruciatore allontanandolo dall'orifizio della valvola del gas.
7. Controllare e pulire i tubi del bruciatore/venturi da insetti e nidi. Un tubo intasato può provocare un incendio sotto il barbecue.
8. Fare riferimento al diagramma 1 e applicare uno di questi tre metodi di pulizia:

METODO 1: Piegare un filo rigido o un appendiabiti a filo formando un piccolo gancio come illustrato e passare il gancio attraverso il tubo del bruciatore e all'interno del bruciatore diverse volte per rimuovere i detriti.



METODO 2: Utilizzare una spazzola cilindrica con un manico flessibile, e passarla attraverso il tubo del bruciatore e all'interno del bruciatore più volte per rimuovere eventuali residui.

METODO 3: Utilizzare un tubo con aria compressa per forzare l'aria attraverso ogni tubo del bruciatore. L'aria forzata libera il bruciatore e i fori da detriti od ostruzioni.

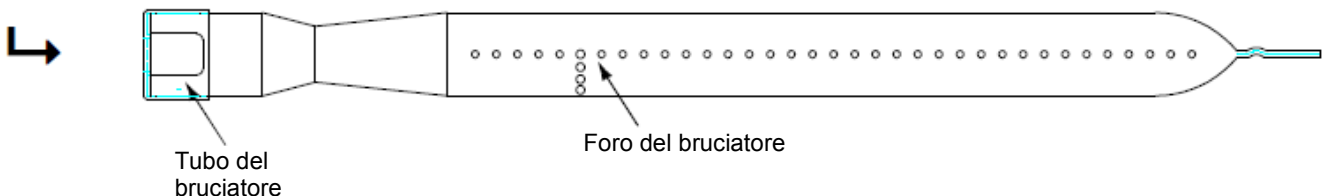
Indipendentemente da quale procedura di pulizia del bruciatore si utilizzi, si consiglia anche di eseguire i seguenti passi per aiutare a prolungare la vita dell'apparecchio.

1. Utilizzare una spugna di fibra o una spazzola di nylon per pulire la superficie esterna di ogni bruciatore fino a liberarli da residui di cibo e sporcizia.
2. Pulire i fori bloccati con un filo rigido, ad esempio una graffetta aperta.
3. Ispezionare ogni bruciatore per verificare eventuali danni (*crepe o fori*) e se si riscontrano anomalie ordinare e installare un nuovo bruciatore. Dopo l'installazione, verificare che gli orifizi della valvola del gas siano posizionati correttamente tra le estremità dei tubi del bruciatore. Controllare anche la posizione dell'elettrodo di accensione.



PER UN UTILIZZO SICURO, VERIFICARE CHE L'ORIFIZIO DELLA VALVOLA DEL GAS SIA ALL'INTERNO DEL TUBO DEL BRUCIATORE PRIMA DI UTILIZZARE IL BARBECUE. SE L'ORIFIZIO NON È DENTRO IL TUBO DEL BRUCIATORE, L'ACCENSIONE DEL BRUCIATORE PUÒ CAUSARE UN'ESPLOSIONE E/O UN INCENDIO, PROVOCANDO GRAVI LESIONI FISICHE E/O DANNI MATERIALI.

Diagramma 1
Per pulire tubo del bruciatore, inserire il gancio come indicato dalla freccia.





CONTROLEER ALTIJD OP GASLEKKEN WANNEER U DE BARBECUE GEBRUIKT.

U dient de volgende procedure te volgen wanneer:

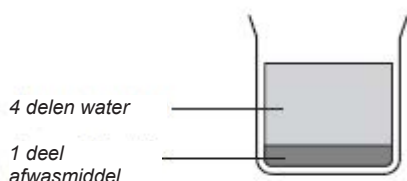
- u de barbecue gedurende langere periode niet gebruikt hebt,
- u de barbecue de eerste keer in elkaar zet,
- de slang losgekoppeld is geweest,
- u de gasfles gewisseld heeft,
- de gasfles weer wordt aangesloten nadat deze losgekoppeld is om op te bergen.

CONTROLLEREN OP GASLEKKEN

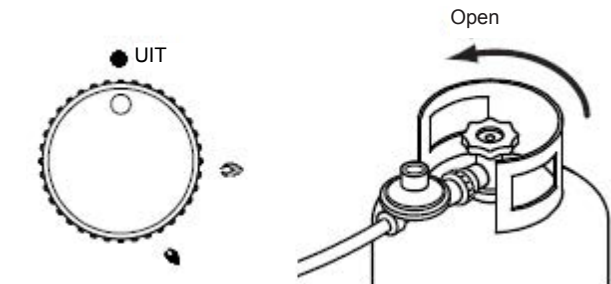


CONTROLEER NOOIT OP GASLEKKAGE MET EEN VLAMMETJE.

1. Maak een sopje door één (1) deel afwasmiddel te mengen met vier (4) delen water.

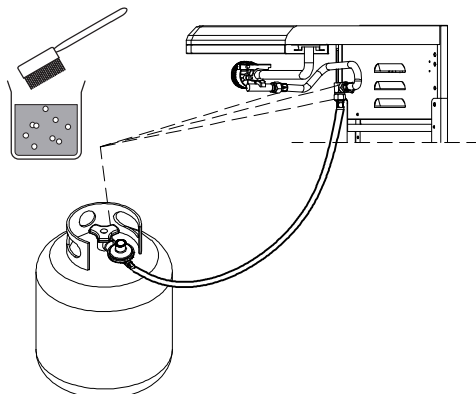


2. Zet de regelaars voor de branders op OFF, draai dan de gasfles open.



WANNEER ER EEN GASLEK IS DAT U NIET KUNT VERHELPEM, DRAAI DAN DE GASKRAAN OP DE GASFLES DICHT. NEEM CONTACT OP MET DE DEALER

3. Breng het sop aan op alle zichtbare en toegankelijke gasaansluitingen, inclusief die van de gasfles. Er zullen belletjes verschijnen in het zeepwater wanneer de aansluitingen niet goed afgedicht zijn. Draai deze aan of corrigeer de aansluiting.



CONTROLLEREN OP GASLEKKEN

Deze barbecue is goedgekeurd voor gebruik op aardgas maar dient op de juiste manier omgebouwd te worden omdat hij vanaf de fabriek geschikt is gemaakt om op butaan te werken. Neem contact op met uw *dealer* voor details.

Ombouwen en installatie dienen uitgevoerd te worden door een gediplomeerd loodgieter of gasfitter en dient te voldoen aan de lokale regelgeving.

ZORG DAT DE KNOPPEN VOOR DE BRANDERS OP UIT STAAN

BELANGRIJK: Voor u de barbecue aansluit of loskoppelt van het gas, dient u ervoor te zorgen dat alle knoppen op "OFF" staan.

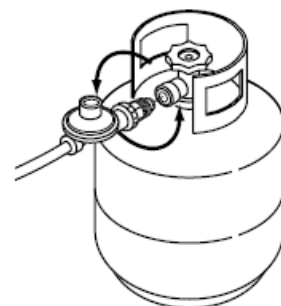
LET OP: De "UIT" stand op het bedieningspaneel wordt aangegeven door een kleine zwarte stip / een korte zwarte streep / of het woord "OFF".

VOORZICHTIG: Wanneer het apparaat niet gebruikt wordt dient de gaskraan op de gasfles dichtgedraaid wordt.

Maak u zelf bekend met de algemene informatie en de veiligheidsregels die u voorop dit boekje vindt. Verzekert uzelf ervan dat de gasfles gevuld is en dat het eind van elke branderbuis correct geplaatst is boven zijn kraansproeier. Zet de knoppen van de branders op "OFF".

AAN- OF ONTKOPPELEN VAN DE GASFLES AANSLUITEN OP DE GASFLES

1. Plaats de gasfles in de behuizing en zet deze vast.
2. Bevestig de drukregelaar met de slang aan de uitgang van de gasfleskraan. Draai stevig aan.
3. Open de gasfleskraan helemaal zodat het gas kan stromen.
4. Test alle toegankelijke verbindingen met een sopje voor u de barbecue aansteekt.
5. Wanneer er een lek wordt gevonden, draait u de gasfles weer dicht en controleert u of alle verbindingen goed zijn aangedraaid. Wanneer de lekkage aanhoudt gebruikt u de barbecue niet tot het lek verholpen is.



ONTKOPPELEN VAN DE GASFLES

1. Zet de knoppen van de branders op "OFF".
2. Draai de kraan op de gasfles dicht.
3. Verwijder de drukregelaar van de gasfles.

UW BARBECUE IS NU GEREED VOOR GEBRUIK

Voor het eerste gebruik en aan het begin van elk barbecue seizoen:

1. Lees de instructies voor *Veiligheid, Aansteken* en *Bediening* zorgvuldig door.
2. Controleer de gaskraansproeiers, branderbuisen en branderpoorten op versperringen zoals *bijv. spinnen, webben, insecten*.
3. Controleer of de gasfles vol is.
4. Zorg dat alle aansluitingen stevig zijn aangedraaid. Controleer op gaslekken.

LAATSTE CONTROLE NA INSTALLATIE

- Er dient ten minste 1m ruimte te zijn tussen brandbare constructies en de zij- en achterkant van de grill.
- Er bevindt zich geen onbeschermd, brandbare constructie boven de grill.
- Alle verpakkingsmaterialen zijn verwijderd.
- De branders zijn correct op de sproeiërs geplaatst.
- De knoppen draaien makkelijk.
- Het apparaat is getest en er zijn geen lekken.
- De gebruiker weet waar de afsluiter van het gas zit.

INSTRUCTIES VOOR HET AANSTEKEN VAN DE GRILL

- **WAARSCHUWING: BELANGRIJK!**
- **VOOR HET AANSTEKEN**

Controleer ten slotte de gas slang voor u het gas "ON" zet. Wanneer er sneden, slijtage of schaafplekken worden waargenomen aan de slang, dient deze voor gebruik vervangen te worden. Welke slang u nodig heeft wordt door de fabrikant aangegeven.

ZEER BELANGRIJK: CONTROLEER ALTIJD DE SLANG ELKE KEER VOOR U DE GRILL GEBRUIKT.

- **OM DE HOOFDBRANDERS VAN DE GRILL AAN TE STEKEN:**

1. Lees de instructies voor u de grill aansteekt
2. Zet alle knoppen op "O" en open vervolgens de kraan op de gasfles. Hou uw gezicht en lichaam altijd zover mogelijk van de grill wanneer u deze aansteekt.
3. Open het deksel tijdens het aansteken.
4. Druk een knop in en draai deze langzaam naar "MAX". De elektrode vonkt gelijktijdig om de brander achtereenvolgens aan te steken. Herhaal deze handeling bij het aansteken van de andere branders. Zet ONMIDDELLIJK de knop op "O" als de brander niet aangaat binnen 5 seconden, wacht 5 seconden tot het gas verdreven is en herhaal dan de procedure voor het aansteken.
5. Volg de instructies voor aansteken met een lucifer als de brander niet gaat branden na 3-4 keer proberen.

- **DE HOOFDBRANDERS AANSTEKEN MET EEN LUCIFER :**

Als de brander niet aan wil na verschillende pogingen kan de brander met een lucifer worden aangestoken. :

Handeling:

1. Lees de instructies voor het aansteken.
2. Open het deksel tijdens het aansteken.
3. Plaats een lucifer tussen de windingen aan het eind van de aansteekstok, steek de lucifer aan en steek de stok in de opening van de brander om hem aan te steken.
4. Druk de knop in en draai deze naar "MAX", en zorg ervoor dat de brander gaat branden en blijft branden.
5. Herhaal 3 en 4 om de andere branders aan te steken.

Houd een plantenspuit met een sopje erin in de buurt van de gaskraan en controleer voor elk gebruik de aansluitingen.

Steek de grill niet aan als u gas ruikt.

- **EIGENSCHAPPEN VAN DE VLAM**

Controleer op goede vlameigenschappen. Elke brander wordt voor het verlaten van de fabriek afgeregeld; echter kunnen variaties in het plaatselijke gasnet kleine aanpassingen noodzakelijk maken.

De vlammen moeten blauw en stabiel branden zonder gele punten, overmatig lawaai of zweven. Als zich een van deze situaties voordoet, dient u onze klantenservice te bellen. Als de vlam geel is houdt dat in dat er te weinig luchttoevoer is. Als de vlam lawaai maakt en neigt te gaan zweven houdt dat in dat er te veel luchttoevoer is.
LET OP: kleine gele punten zijn ok.

PLAATSEN VAN DE GRILL

1. Reinig de grill.
2. Berg de grill op in een goed geventileerde, droge schuur.
3. Berg de grill ALLEEN droog binnen op nadat de gasfles dicht is gedraaid en verwijderd, de gasfles dient buiten opgeslagen te worden, buiten bereik van kinderen. Sla de gasfles NOOIT op in een gebouw, garage of andere afgesloten ruimte.
4. Plaats de vinyl afdekhoes die is meegeleverd met deze grill.

HET OPSPOREN VAN STORINGEN

WANNEER DE BARBECUE NIET WIL BRANDEN

1. Draai de gasfles dicht en zet de knop van de brander op "OFF". Wacht ten minste vijf (5) minuten zodat het gas kan verdrijven en probeer het dan nogmaals.
2. Als uw barbecue nog steeds niet wil branden, controleer dan de gastoevoer en de aansluitingen.
3. Herhaal de procedure voor het aansteken. Als uw barbecue nog steeds niet wil branden, draai de gasfles dicht, zet de knop van de brander op "OFF" en controleer het volgende:
 - **Obstructie in de gas slang**
Oplossing: Koppel de gas slang los van de barbecue. Niet roken! Open de gaskraan gedurende een seconde om de obstructie uit de slang te verwijderen. Sluit de gaskraan weer op de gasfles aan en sluit de gas slang op de barbecue aan.
 - **Verstopte sproeier**
Oplossing: Verwijder de branders van de barbecue. Verwijder voorzichtig elke brander van de gaskraansproeier. Verwijder de sproeier van de gaskraan en verwijder de verstopping met een dun ijzerdraadje. Plaats alle sproeiers, branders, splitpennen en kookonderdelen vervolgens weer terug. Wanneer er een verstopping in de gaskraan of in het verdeelstuk vermoed wordt, neem dan contact op met de winkel waar u het apparaat gekocht heeft of met de fabrikant.

DE GASSTROOM LIJKT ABNORMAAL

1. Controleer of de gasfles niet leeg is.
2. De openingen in de branders zijn vies en verstopt.
3. Gasdrukregelaar werkt niet.

U RUIKT GAS

1. Gaskraan staat open.
2. Gas slang lekt (Controleer met een sopje)
3. Gas slang is gebogen of beschadigd of niet goed geplaatst.

BARBECUE WORDT NIET WARM

1. Gaskraan is niet geopend.
2. Ovenknop is niet goed open gedraaid.
3. Ovenbrander is uitgewaaid.

OVERMATIGE ROOKONTWIKKELING

1. Verbrande resten van achtergebleven olie en vet (olie en vet dient verwijderd te worden na gebruik).

VOEDSEL BEREIDEN MET HET DEKSEL OMLAAG

BELANGRIJK:

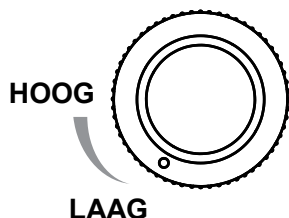
Gebruik nooit alle branders op "HOOG" wanneer u kookt met het deksel omlaag.

Voorverwarmen: Laat de BBQ met gesloten deksel en alle branders op hoog gedurende 10-15 minuten voorverwarmen.

Koken: Draai de branders naar de laagste stand. De branders kunnen dan ingesteld worden op de vereiste temperatuur, zorg dat de temperatuur NIET boven de 250C komt.

LET OP: Het overschrijden van de 250C gedurende langere tijd kan schade veroorzaken.

• UIT



ZORG & ONDERHOUD

Zoals bij alle apparaten het geval is, houdt de juiste zorg en onderhoud het apparaat in topconditie en verlengt tevens de levensduur. Uw nieuwe gasbarbecue is hierop geen uitzondering. Wanneer u regelmatig deze instructies voor het reinigen opvolgt, wordt uw barbecue schoongehouden en werkt hij altijd goed met slechts minimale inspanning.

TERUGSLAG

Spinnen en kleine insecten maken soms een web of een nest in de branderbuizen tijdens opslag en vervoer. Deze webben kunnen leiden tot een belemmering van de gasdoorstroom en resulteren in een brandje in en rond de branderbuizen. Reinigen met een zachte borstel voor het gebruik en tenminste elke zes maanden wordt aanbevolen. Dit soort brandje wordt ook wel "TERUGSLAG" genoemd en kan ernstige schade toebrengen aan uw barbecue en een onveilige omgeving creëren voor de gebruiker. Hoewel een verstopte branderbuis niet de enige oorzaak van "TERUGSLAG" is, is het de meest voorkomende oorzaak en regelmatige inspectie en reiniging van de branderbuizen is noodzakelijk.

Als in en rondom de brander brand optreedt, draai dan onmiddellijk de gaskraan op de gasfles dicht en draai de brander op "OFF", wacht tot de barbecue is afgekoeld, en reinig dan de branderbuizen en de branderpoorten.

DE LEKBAK REINIGEN

Om te voorkomen dat er vet of olie op de barbecue druipt, verwijdert en leegt u na elk gebruik de lekbak. Er kan voor gebruik een beetje water in de lekbak gedaan worden. Dit helpt bij het verwijderen van het vet. Wacht tot de lekbak koud genoeg is om aan te pakken voor u de inhoud weggooit. De lekbak dient regelmatig afgewassen te worden in een warm sopje.

ZORG VOOR HET KOOKOPPERVLAK

Uw barbecue is uitgerust met een geëmailleerde grill en plaat. Correct gebruik en zorg voor het kookoppervlak is belangrijk om probleemloos koken te garanderen. Reinig grondig tijdens het afkoelen van het oppervlak. Laat geen voedsel achter op het kookoppervlak als het apparaat niet gebruikt wordt.

SERVICE

Als het apparaat niet zo afgesteld kan worden dat het correct werk, dient u het tot het gerepareerd is niet te gebruiken.

ONDERHOUD

REINIGEN VAN DE BRANDERBUIZEN EN DE BRANDERPOORTEN

Om de kans op TERUGSLAG brand te verminderen, dient u de branderbuizen in de zomer en de herfst of wanneer spinnen actief zijn in uw regio minstens een keer per maand als volgt te reinigen, en ook als uw barbecue niet is gebruikt gedurende een langere tijd.

1. Zet alle branderkranen in de "OFF" stand.
2. Draai de kraan van de gasfles helemaal in de "OFF" stand.
3. Maak de gasdrukregelaar los van de gasbarbecue.
4. Verwijder de kookplaten van uw barbecue.
5. Verwijder de splitpen van de achterkant van elke brander met behulp van een punttang.
6. Til elke brander voorzichtig op en neem ze weg van de gaskraansproeier.
7. Controleer en ontdoe de brander / venturibus van insecten en nesten van insecten. Een verstopte buis kan leiden tot een brand onder de barbecue.
8. Zie schema 1 en voer een van deze drie reinigingsmethoden uit:

METHODE 1: Buig een stevig stuk ijzerdraad of een kledinghanger tot een kleine haak zoals getoond en haal de haak een paar maal door de branderbuis en de binnenkant van de brander om vuil te verwijderen.



METHODE 2: Gebruik een flessenborstel en haal deze een paar maal door de branderbuis en de binnenkant van de brander om vuil te verwijderen.

METHODE 3: Gebruik een luchtslang om met kracht lucht door elke branderbuis te spuiten. De lucht zou het vuil of de verstopping mee moeten voeren uit de branderbuis en uit de poorten.

Ongeacht welke manier u gebruikt om de brander te reinigen, wij raden u aan om ook de volgende stappen uit te voeren om de levensduur van de brander te verlengen.

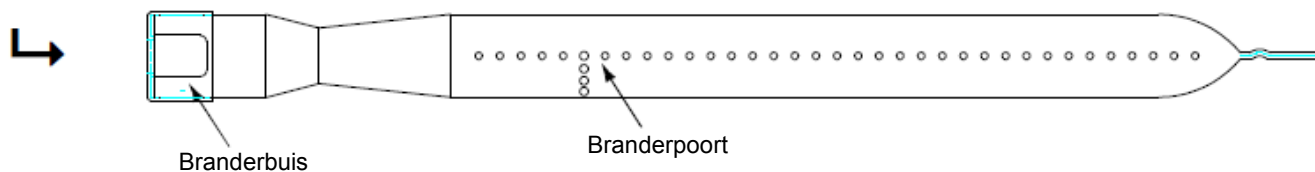
1. Gebruik een schuursponsje of nylon borstel om de hele buitenkant van elke brander schoon te maken.
2. Maak verstopte poorten weer open met een ijzerdraadje zoals bijv. een open gebogen paperclip.
3. Controleer elke brander op schade (*barsten of gaten*) en wanneer zulke beschadigingen zijn gevonden, dient u een nieuwe brander te bestellen en te plaatsen. Controleer na het plaatsen of de gaskraansproeiers correct geplaatst zijn in het eind van de branderbuisen. Controleer ook de positie van de vonkelektrode.



VOOR EEN VEILIGE WERKING DIENT U ER ZEKER VAN TE ZIJN DAT DE GASKRAAN SPROEIER IN DE BRANDERBUIS ZIT VOOR U UW BARBECUE GEBRUIKT. WANNEER DE SPROEIER NIET IN DE BRANDERBUIS ZIT, KAN HET AANSTEKEN VAN DE BRANDER EEN EXPLOSIE EN/OF BRAND VEROORZAKEN EN RESULTEREN IN LICHAAMELIJK LETSEL EN/OF SCHADE AAN EIGENDOMMEN.

Schema 1

Om de branderbuis te reinigen, voert u de haak in de door de pijl aangegeven richting in.





KONTROLLERA ALLTID SÅ ATT INGA GASLÄCKOR FINNS VARJE GÅNG DU ANVÄNDER GRILLEN.

Utför dessa åtgärder i följande situationer:

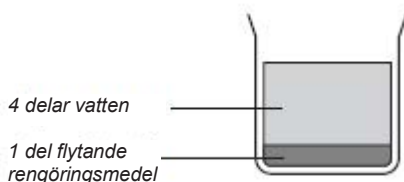
- När grillen inte använts under en längre tid,
- När grillen först monterats,
- När någon av slangarna kopplats bort eller anslutits,
- När gasbehållaren bytts ut,
- När gasbehållaren koppas in efter att ha varit bortkopplad för förvaring.

KONTROLLERA OM DET FINNS GASLÄCKOR

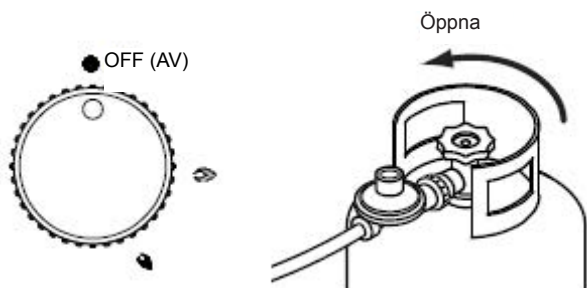


ANVÄND ALDRIG ÖPPEN ELD FÖR ATT SÖKA EFTER LÄCKOR.

1. Blanda ihop en rengöringslösning genom att blanda en (1) del flytande rengöringsmedel med fyra (4) delar vatten.

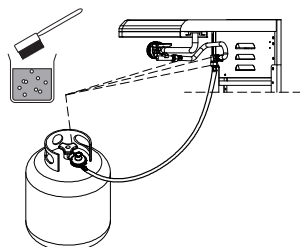


2. Ställ in brännarens kontrollvred på "OFF", och slå sedan på gasen vid källan.



DU INTE KAN TÄTA, STÄNG AV GASEN VID KÄLLAN. KONTAKTA

3. Applicera den flytande rengöringslösningen på alla synliga och åtkomliga gasanslutningar, inklusive anslutningen till gasbehållaren. Bubblor uppstår i den flytande rengöringslösningen om anslutningen inte är tillräckligt tätad. Dra åt eller täta efter behov.



KONTROLLERA OM DET FINNS GASLÄCKOR

serviceagent för mer information. Konvertering och installation måste utföras av en behörig fackman, och måste uppfylla lokala bestämmelser

SE TILL ATT BRÄNNARENS REGLAGE ÄR AVSTÅNGDA

VIKTIGT: Innan du ansluter eller kopplar bort grillen från gaskällan, se till att brännarens reglage är i läge "OFF" (AV).

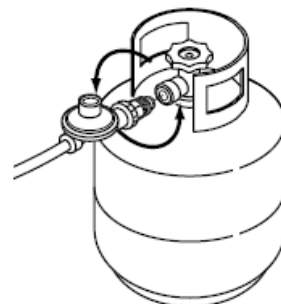
NOTERA: Läget "OFF" (AV) på kontrollpanelen identifieras antingen av en liten svart punkt / en kort vertikal svart linje / eller ordet "OFF".

FÖRSIKTIGT: När utrustningen inte används måste gasen stängas av på gasbehållaren.

Bekanta dig med den allmänna informationen och säkerhetsinstruktionerna som finns längst fram i detta häfte. Kontrollera att gasbehållaren är påfylld och att änden på varje brännare är korrekt placerad över varje ventilöppning. Ställ in brännarens reglage på läge "OFF" (AV).

ANSLUTA TILL OCH KOPPLA BORT FRÅN GASKÄLLAN NSLUTA TILL GASKÄLLAN

1. Placera gasbehållaren i höljet och fäst den säkert.
2. Montera regulatort och slangen på behållarens utloppsventil. Dra åt ordentligt.
3. Öppna gasbehållarens ventilen helt så att gasen flödar fritt.
4. Innan du tänds grillen, kontrollera alla åtkomliga anslutningar noggrant så att det inte finns några läckor.
5. Om du hittar en läcka, stäng av gasbehållarens ventilen och kontrollera igen att alla anslutningar har dragits åt. Om läckan finns kvar, använd inte grillen innan den reparerats eller bytts ut.



KOPPLA BORT FRÅN GASKÄLLAN

1. Vrid brännarreglagen till "OFF" (AV)
2. Stäng av gasbehållarens ventil helt.
3. Koppla bort regulatort från gasbehållarens ventil.

NU ÄR GRILLEN REDO ATT ANVÄNDAS

Före första användningen och före varje grillsäsong:

1. Läs instruktionerna *Säkerhet, tändning och användning* noggrant.
2. Kontrollera att gasventilöppningar, brännartuber och brännarportar inte är igensatta. T.ex. p.g.a. spindlar, spindelnät, insekter.
3. Kontrollera att gasbehållaren är påfylld.
4. Kontrollera att alla anslutningar är ordentligt åtdragna. Kontrollera om det finns gasläckor.

SISTA CHECKLISTA FÖR INSTALLATIONEN

1. Minst 1 m avstånd till brännbara material bredvid och bakom grillen.
2. Inga oskyddade brännbara material finns ovanför grillen.
3. Allt internt förpackningsmaterial har tagits bort.
4. Brännarna sitter korrekt på öppningarna.
5. Vreden kan vridas fritt.
6. Enheten har testats och har inga gasläckor.
7. Användaren har informerats om var gasförsörjningens avstängningsventil finns.

INSTRUKTIONER FÖR ATT TÄNDA GRILLEN

- **VARNING: VIKTIGT!**
- **INNAN DU TÄNDER**

Gör en sista inspektion av gasförsörjningsslangen innan du slår på gasen. Om du ser tecken på skador eller slitage måste den bytas ut före användningen. Utbytesslangen måste vara den som specificeras av tillverkaren.

MYCKET VIKTIGT: INSPEKTERA ALLTID SLANGEN VARJE GÅNG GRILLEN SKA ANVÄNDAS.

- **FÖR ATT TÄNDA GRILLENS HUVUDBRÄNNARE:**
 1. Läs instruktionerna innan du tänder.
 2. Vrid alla vred till "O" och öppna sedan tankens ventil. Håll alltid ansiktet och kroppen så långt bort från grillen som möjligt när du tänder.
 3. Håll locket öppet medan du tänder.
 4. Tryck in och vrid sakt ett kontrollreglage till läge "MAX". Elektroden avger samtidigt gnistor för att tända brännaren sekventiellt. Upprepa samma åtgärder för att tända varje brännare. Vrid OMEDELBART kontrollreglaget till läge "O" om brännaren inte tänds inom 5 sekunder. Vänta 5 minuter så att gasen hinner skingras och upprepa sedan tändningsproceduren.
 5. Följ instruktionerna för att tända med tändstickor om brännaren inte kan tändas efter 3-4 försök.
- **FÖR ATT TÄNDA HUVUDBRÄNNARNA MED TÄNDSTICKOR :**

Om brännaren inte tänds efter flera försök kan den tändas med tändstickor. Åtgärder:

1. Läs instruktionerna innan du tänder.
2. Håll locket öppet medan du tänder.
3. För bara in en tändsticka mellan rullarna längst ut på tändstaven, tänd tändstickan och för in den i hålet för eldlådan för att tända.
4. Tryck in och vrid reglaget till läge "MAX", och se till att brännaren tänds och fortsätter brinna.
5. Upprepa 3-4 för att tända de andra brännarna.

Förvara en sprejflaska med vatten och rengöringsmedel i närheten av gasförsörjningen, och kontrollera anslutningarna före varje användning.

Tänd inte grillen om du känner gaslukt.

- **FLAMMANS EGENSKAPER**

Kontrollera att brännarens flamma har korrekta egenskaper. Varje brännare justeras före leveransen; dock kan skillnader i den lokala gasförsörjningen innebära att små justeringar behöver göras.

Brännarnas flammor ska vara blå och stabila utan gula toppar, starkt ljud eller stigning. Ring kundtjänst om något av detta inträffar. Om flammen är gul innebär det att det inte finns tillräckligt med luft. Om flammen låter högt och har en tendens att lyftas upp från brännaren är det en indikation på för mycket luft.

NOTERA: små gula toppar är okej.

GRILLENS PLACERING

1. Rengör grillen.
2. Förvara grillen på en väl ventilerad torr plats utomhus och utom räckhåll för barn när gasbehållaren är ansluten till grillen.
3. Förvara grillen inomhus ENDAST efter att gasbehållaren stängts av och tagits bort. Gasbehållaren måste förvaras utomhus, utom räckhåll för barn. Förvara ALDRIG behållaren i en byggnad, garage eller annat slutet utrymme.
4. Sätt på vinylskyddet som medföljer grillen.

FELSÖKNING

OM GRILLEN INTE TÄNDS

1. Stäng av gasen vid källan och vrid brännarkontrollvreden till "OFF" (AV). Vänta minst fem (5) minuter så att gasen skingrats, och försök sedan igen.
2. Om grillen fortfarande inte tänds, kontrollera gasförsörjningen och anslutningarna.
3. Upprepa tändningsproceduren. Om grillen fortfarande inte fungerar, stäng av gasen vid källan, vrid kontrollvreden till "OFF" (AV), och kontrollera sedan följande:

• Blockering i gasledningen

Åtgärder: Ta bort bränsleledningen från grillen. Rök inte! Öppna gasförsörjningen i en sekund för att ta bort eventuella blockeringar från bränsleledningen. Stäng av gasförsörjningen vid källan och anslut bränsleledningen till grillen igen.

• Igentäppt öppning

Åtgärder: Ta bort brännarna från grillen. Lyft försiktigt upp varje brännare och ta bort dem från gasventilöppningen. Ta bort öppningen från gasventilen och rensa försiktigt bort eventuella blockeringar med en tunn vajer. Installera sedan öppningar, brännare, saxpinnar och grillkomponenter igen. Om du misstänker att det finns en blockering i gasventiler eller förgreningsrör, kontakta inköpsstället eller tillverkaren.

GASFLÖDET VERKAR VARA ONORMALT

1. Kontrollera att gasbehållaren inte är tom.
2. Brännarhålen är smutsiga och igensatta.
3. Gasregulatorn fungerar inte.

GASLUKT

1. Gasventilen är öppen.
2. Gasslangen läcker (kontrollera med vatten och rengöringsmedel)
3. Gasslangen är böjd eller skadad, eller inte placerad korrekt.

GRILLEN VÄRMS INTE UPP

1. Gasventilen är inte öppen.
2. Ugnsvredet är inte öppnat ordentligt.
3. Ugnsbrännaren har blåsts ut.

KRAFTIG RÖKUTVECKLING

1. Kvarlämnad olja och fett brinner (olja och fett måste tas bort efter grillningen).

GRILLA MED LUCKAN STÄNGD

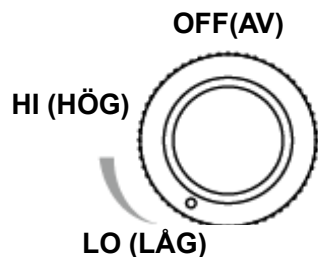
VIKTIGT:

Använd aldrig brännarna på "HI" (Hög) när du grillar med luckan stängd.

Förvärmning: Kör grillen med luckan stängd och alla brännare på Hög i 10-15 minuter

Grillning: Ställ in brännarna på den låga inställningen. Brännarna kan sedan justeras till önskad grilltemperatur. Överstig INTE 250 C

NOTERA: Om 250 C överskrids under en längre tid kan grillen skadas



VÅRD & UNDERHÅLL

För all utrustning gäller att noggrann vård och underhåll håller den i toppskick och förlänger livslängden. Din nya gasgrill är inget undantag. Genom att följa dessa rengöringsprocedurer regelbundet håller du din grill ren och i fungerande skick med minimal arbetsinsats.

BAK-ELD

Spindlar och små insekter kan ibland spinna nät eller bygga bon i brännarrören under förvaring och transport. Dessa nät kan blockera gasflödet, vilket kan orsaka brand i och runt brännarrören. Vi rekommenderar rengöring med en mjuk borste före användning och minst var sjätte månad. Denna typ av brand kallas "BAK-ELD", och kan orsaka allvarliga skador på grillen och en riskfylld situation för användaren. Även om ett blockerat brännarrör inte är det enda som kan orsaka "BAK-ELD" så är det den vanligaste anledningen, och frekvent inspektion och rengöring av brännarrören är nödvändig.

Om det börjar brinna i och runt brännaren, stäng omedelbart av gasen vid källan och vrid brännarreglaget till "OFF" (AV). Vänta tills grillen har svalnat och rengör brännarrören och brännarportarna.

RENGÖRA FETTBRICKAN

För att undvika att fett droppar från grillen, ta bort och töm droppbrickan efter varje användning. En liten mängd vatten kan placeras på droppbrickan före användningen för att underlätta fettborttagningen. Vänta tills droppbrickan svalnat innan du tömmer ut innehållet. Rengör droppbrickan regelbundet med ett mildt rengöringsmedel och varmt vatten.

VÅRD AV GRILLYTORNA

Grillen har en emaljerad grilllyta och platta. Korrekt användning och vård av grilllytan är viktig för att säkerställa problemfri grillning. Rengör noggrant medan grilllytan svalnar. Lämna inte mat på grilllytan när den inte används.

SERVICE

Om utrustningen inte kan justeras för att fungera korrekt ska den inte användas innan den har fått service.

UNDERHÅLL

RENGÖRA BRÄNNARRÖREN OCH BRÄNNARPORTARNA

För att minska risken för BAK-ELD måste du rengöra brännarrörerna på följande sätt minst en gång i månaden på sommaren och hösten, eller när spindlarna är aktiva i ditt område, och om grillen inte har använts under en längre tid.

1. Ställ in alla brännarventiler på läge "OFF" (AV).
2. Vrid gasbehållarens ventil helt till läge "OFF".
3. Koppla bort gasregulatorn från gasgrillen.
4. Ta bort grillplattorna från grillen.
5. Ta bort saxpinnen från baksidan av varje brännare med en tång.
6. Lyft försiktigt upp varje brännare och ta bort dem från gasventilöppningen.
7. Kontrollera och rengör brännaren/venturirören så att det inte finns några insekter eller insektsbon. Ett igensatt rör kan orsaka brand under grillen.
8. Se diagram 1 och använd en av dessa tre rengöringsmetoder.

METOD 1: Böj en styv vajer eller vajergalge till en liten krok enligt bilden, och för kroken genom brännarröret och inne i brännaren flera gånger för att ta bort skräp.



METOD 2: Använd en flaskborste med ett flexibelt handtag och för borsten genom brännarröret och inne i brännaren flera gånger för att ta bort skräp.

METOD 3: Använd en luftslang och blås luft genom varje brännarrör. Tryckluften blåser skräp och blockeringar genom brännaren och ut genom portarna.

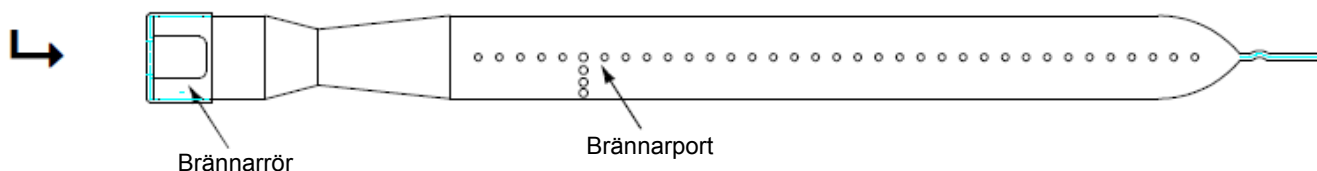
Oavsett vilken procedur du använder för att rengöra brännaren rekommenderar vi att du också utför följande steg för att förlänga brännarens livslängd.

1. Använd en fiberduk eller nylonborste och rengör hela den yttre ytan på varje brännare tills alla matrester och smuts försvunnit.
2. Rengör alla igensatta portar med en styv vajer, t.ex. ett öppnat gem.
3. Inspektera varje brännare för att se om det finns skador (*sprickor eller hål*) och beställ och installera en ny brännare om du upptäcker sådana skador. Efter installationen, kontrollera att gasventilöppningarna är korrekt placerade inne i brännarrörens ändar. Kontrollera också gnistelektrodens position.



FÖR SÄKER ANVÄNDNING, SE TILL ATT GASVENTILENS ÖPPNING ÄR PLACERAD INNE I BRÄNNARRÖRET INNAN DU ANVÄNDER GRILLEN. OM ÖPPNINGEN INTE ÄR PLACERAD INNE I BRÄNNARRÖRET KAN DET LEDA TILL EXPLOSION OCH/ELLER BRAND, VILKET KAN ORSAKA ALLVARLIGA PERSONSKADOR OCH/ELLER EGENDOMSSKADOR.

Diagram 1
Rengör brännarröret genom att föra in kroken enligt vad pilen visar.





TARKISTA ENNEN JOKAISTA KÄYTTÖKERTAA, ETTEI KAASUVUOTOJA ESIINNY.

Nämä toimenpiteet tulee tehdä aina seuraavissa tilanteissa:

- Grilli on ollut käyttämättä pitkään.
- Grilli on koottu ensimmäisen kerran.
- Letkukokoonpano on irrotettu ja kiinnitetty uudelleen.
- Kaasusäiliö on vaihdettu.
- Kaasusäiliö on kytketty uudelleen sen jälkeen, kun se on ollut irrotettuna varastointia varten.

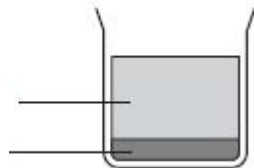
KAASUVUOTOJEN TARKISTUS



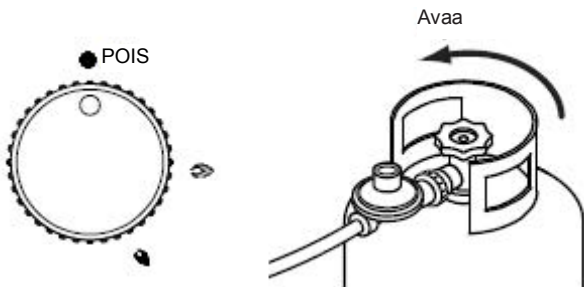
ÄLÄ KOSKAAN ETSI VUOTOJA LIEKIN AVULLA.

1. Tee pesuaineseos, jossa on yksi (1) osa nestemäistä pesuainetta ja neljä (4) osaa vettä.

4 osaa vettä
1 osa
nestemäistä
pesuainetta

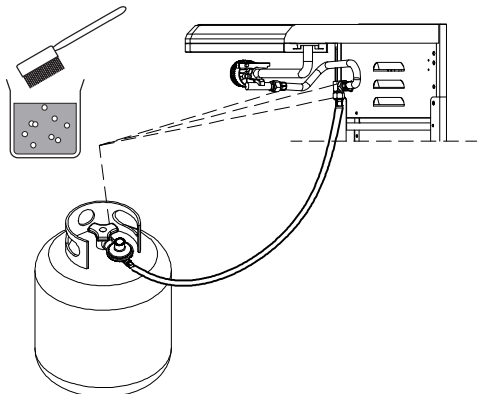


2. Käännä poltinten säätimet POIS-asentoon ja käännä sitten kaasu päälle pullosta.



JOS LÖYDÄT VUODON, JOTA ET SAA KORJATTUA, SULJE KAASU SÄILIÖSTÄ VÄLITTÖMÄSTI. OTA YHTEYTTÄ HUOLTOEDUSTAJAAN.

3. Levitä veden ja pesuaineen seosta kaikkien näkyvissä olevien kaasuliitännöiden päälle, myös kaasusäiliön liitännään. Jos liitännät eivät ole tiiviitä, pesuaineseokseen ilmaantuu kuplia. Kiristä tai korjaa liitännät tarvittaessa.



KAASUVUOTOJEN TARKISTUS

Grilli on hyväksytty käytettäväksi maakaasulla, mutta se on tehtaalla asetettu käytettäväksi nestekaasulla. Maakaasun käyttö vaatii laitteeseen muutoksia. Saat lisätietoja ottamalla yhteyttä huoltoedustajaan. Muutos- ja asennustyö pitää antaa valtuutetun putkimiehen tai kaasuasentajan tehtäväksi, ja sen pitää noudattaa paikallisia säädöksiä.

VARMISTA, ETTÄ SÄÄTIMET OVAT POIS PÄÄLTÄ

TÄRKEÄÄ: Varmista, että kaasupoltinten säätimet ovat POIS-asennossa, ennen kuin liität grilliä kaasulähteeseen tai irrotat sitä.

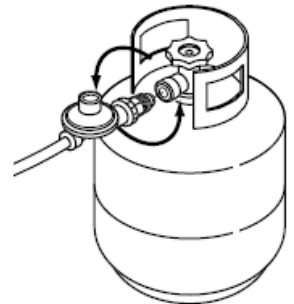
HUOMAA: POIS-asentoa ilmaisee ohjauspaneelissa joko pieni musta piste, lyhyt pystysuora musta viiva tai sana "OFF".

HUOMIO: Kun laite ei ole käytössä, kaasu pitää sulkea säiliöltä asti.

Tutustu tämän vihkosen alussa oleviin yleisiin tietoihin sekä turvallisuusohjeisiin. Tarkista, että säiliössä on kaasua ja että poltinputkien päät on sijoitettu oikein venttiilien suutinten yläpuolelle. Aseta poltinten säätimet POIS-asentoon.

KAASUSÄILIÖN KIINNITTÄMINEN JA IRROTTAMINEN KAASUSÄILIÖN KIINNITTÄMINEN

1. Asenna kaasusäiliö kaappiin ja kiinnitä se paikalleen.
2. Kiinnitä säädin ja letkukokoonpano säiliön venttiilin lähtöön. Kiristä tiukasti.
3. Avaa kaasusäiliön venttiili täysin, jotta kaasu pääsee virtaamaan.
4. Kokeile kaikkien näkyvillä olevien liitännöiden tiiveys saippua-vesiliuksella ennen kuin sytytät grilliä.



5. Jos löydät vuodon, sulje kaasusäiliön venttiili ja tarkista, että kaikki liitokset on kiristetty. Jos vuotoa esiintyy edelleen, älä käytä grilliä ennen kuin vialliset osat on korjattu tai vaihdettu.

KAASUSÄILIÖN IRROTTAMINEN

1. Käännä poltinten säätimet POIS-asentoon.
2. Sulje kaasusäiliön venttiili kokonaan.
3. Irrota paineensäätimen kokoonpano kaasusäiliön venttiilistä.

GRILLI ON NYT KÄYTTÖVALMIS

Ennen ensimmäistä käyttöä sekä jokaisen grillauskauten alussa:

1. Lue *turvallisuus-, sytytys- ja käyttöohjeet* huolellisesti.
2. Tarkista, ettei kaasuventtiilien suuttimissa, poltinputkissa tai polttimen kanavissa ole esteitä, kuten *hämähäkkejä, verkkoja tai hyönteisiä*.
3. Tarkista ja varmista, että kaasusäiliö on täynnä.
4. Varmista, että kaikki liitännät on kiristetty. Tarkista, ettei kaasuvuotoja esiinny.

ASENTAJAN TARKISTUSLUETTELO

- Palavat rakenteet ovat vähintään 1 metrin päässä grillin sivu- ja takaosista.
- Grillin yläpuolella ei ole suojaamattomia palavia rakenteita.
- Kaikki sisäpuoliset pakkaukset on poistettu.
- Polttimet sijaitsevat oikein suutinten päällä.
- Säätimet pyörivät vapaasti.
- Laite on vuototestattu eikä vuotoja esiinny.
- Käyttäjälle on kerrottu, missä kaasun sulkuventtiili sijaitsee.

GRILLIN SYTYTYSOHJEET

- **VAROITUS: TÄRKEÄÄ!**
- **ENNEN SYTYTTÄMISTÄ**

Tarkista vielä kaasun syöttöletku ennen kuin kytket kaasun PÄÄLLÄ-asentoon. Jos letkussa näkyy viiltoja, kulumista tai hiertymiä, se on vaihdettava ennen käyttöä. Vaihtoletkun pitää olla valmistajan määrittämää tyyppiä.

ERITTÄIN TÄRKEÄÄ: TARKISTA LETKU ENNEN JOKAISTA GRILLIN KÄYTTÖKERTAA.

- **GRILLIN PÄÄPOLTINTEN SYTYTTÄMINEN:**

1. Lue kaikki ohjeet ennen sytyttämistä.
2. Käännä kaikki säätimet O-asentoon ja avaa sitten säiliön venttiili. Pidä aina kasvosi ja vartalosi mahdollisimman kaukana grillistä sytyttäessäsi sitä.
3. Avaa kansi sytyttämisen aikana.
4. Paina mitä tahansa säädintä ja käännä se hitaasti MAX-asentoon. Elektrodi kipinöi samanaikaisesti ja sytyttää polttimeen liekkiä. Toista sama toimenpide jokaiselle polttimelle. Jos poltin ei syty 5 sekunnin kuluessa, käännä säädin VÄLITTÖMÄSTI O-asentoon, odota 5 minuuttia, jotta kaasu ehtii haihtua ja toista sitten sytytystoimenpide.
5. Jos poltin ei syty 3–4 toiston jälkeen, seuraa tulitikulla sytyttämistä koskevia ohjeita.

- **PÄÄPOLTINTEN SYTYTTÄMINEN TULITIKULLA :**

Jos poltin ei syty useankaan yrityksen jälkeen, se voidaan sytyttää tulitikulla. Käyttö:

1. Lue ohjeet ennen sytyttämistä.
2. Avaa kansi sytyttämisen aikana.
3. Aseta tulitikku sytytystangon päässä olevien kelojen väliin, sytytä se ja vie se tulikammiossa olevaan reikään.
4. Paina säädintä ja käännä se MAX-asentoon ja varmista, että polttimeen syttyy pysyvä liekki.
5. Sytytä muut polttimet toistamalla toimenpide 3–4 kertaa.

Pidä saippuavettä sisältävä spray-pullo kaasun syöttöventtiilin lähellä ja tarkista liitännät ennen jokaista käyttökertaa.

Älä sytytä grilliä, jos ilmassa on kaasun tuoksua.

- **LIEKIN OMINAISUUDET**

Tarkista, että polttimen liekin ominaisuudet ovat oikeat. Jokainen poltin on säädetty tehtaalla ennen lähettämistä, mutta vaihtelut paikallisessa kaasunsyötössä saattavat edellyttää pieniä säätöjä.

Polttimen liekkien tulisi olla sinisiä ja vakaita, eikä niissä saa esiintyä keltaisia kärkiä, liiallista melua tai kohoamista. Jos tällaista esiintyy, soita asiakaspalveluumme. Keltainen liekki ilmaisee, että palotapahtuma ei saa tarpeeksi ilmaa. Jos liekki on hyvin äänekäs ja pyrkii irtautumaan polttimesta, ilmaa on liikaa.

HUOMAA: pienet keltaiset liekinärjet ovat normaalia.

GRILLIN SIIJOITUS

1. Puhdista grilli.
2. Kun kaasusäiliö on liitettyä grilliin, varastoi grilli ulkotiloissa kuivassa ja hyvin tuuletetussa paikassa, poissa lasten ulottuvilta.
3. Grilliä voi säilyttää kuivissa sisätiloissa VAIN SILLOIN, kun kaasusäiliö on suljettu ja irrotettu. Kaasusäiliö pitää varastoida ulkotiloissa ja poissa lasten ulottuvilta – ÄLÄ KOSKAAN varastoi säiliötä rakennuksen sisällä, autotallissa tai muulla suljetulla alueella.
4. Aseta grillin mukana toimitettu vinyylipeite sen päälle.

VIANETSINTÄ

FI

JOS GRILLI EI SYTY

1. Sammuta kaasu säiliöltä ja käännä polttimen säätimet POIS-asentoon. Odota vähintään viisi (5) minuuttia, että kaasu haihtuu, ja yritä sitten uudelleen.
2. Jos grilli ei syty vielääkään, tarkista kaasun syöttö ja liitännät.
3. Toista sytytystoimenpide. Jos grilli ei toimi vielääkään, sammuta kaasu säiliöltä, käännä säätimet POIS-asentoon ja tarkista seuraavat:

Tukos kaasulinjassa

Korjaus: Irrota polttoainelinja grillistä. Älä tupakoi tätä tehdessäsi! Avaa kaasun syöttö sekunnin ajaksi, jotta polttoainelinjassa oleva tukos voidaan poistaa. Sulje kaasun syöttö säiliöltä ja liitä polttoainelinja takaisin grilliin.

Tukkeutunut suutin

Korjaus: Irrota polttimet grillistä. Nosta jokainen poltiti huolellisesti irti kaasuventtiiliin suuttimesta. Irrota suutin kaasuventtiilistä ja poista tukokset rautalangan avulla. Asenna sitten kaikki suuttimet, polttimet, sokat ja muut keittovälineet takaisin. Jos epäilet tukosta kaasuventtiileissä tai jakoputkessa, ota yhteyttä ostopaikkaan tai valmistajaan.

KAASUN VIRTAUS ON EPÄNORMAALI

1. Tarkista, ettei kaasusäiliö ole tyhjä.
2. Polttimen reiät ovat likaisia ja tukossa.
3. Kaasun paineensäädin ei toimi.

KAASUN HAJUA

1. Kaasuventtiili on auki.
2. Kaasuletku vuotaa (tarkista saippuavedellä).
3. Kaasuletku on taipunut tai vahingoittunut tai se ei ole oikein paikallaan.

GRILLI EI LÄMPENE

1. Kaasuventtiili ei ole auki.
2. Polttimen säädin ei ole kunnolla auki.
3. Poltiti on sammunut.

LIALLINEN SAVUTUS

1. Aiemmasta grillauksesta grilliin jääneet öljyt ja rasvat palavat (öljyt ja rasvat pitää puhdistaa ruoanlaiton jälkeen).

KYPSENTÄMINEN KUPU SULJETTUNA

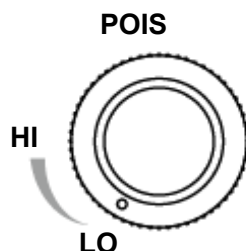
TÄRKEÄÄ:

Älä koskaan säädä kaikkia polttimia HI-asentoon, kun kupu on laskettuna.

Esilämmitys: Käytä grilliä kupu suljettuna ja kaikki polttimet korkeassa asennossaan 10–15 minuutin ajan.

Kypsentaaminen: Käännä polttimet matalaan asentoon. Tämän jälkeen polttimilla voidaan säätää haluttu kypsennyslämpötila. ÄLÄ YLITÄ 250 °C.

HUOMAA: Jos lämpötila ylittää 250 °C pitkään, seurauksena voi olla grillin vaurioituminen.



HOITO JA YLLÄPITO

Kaikki laitteet pysyvät paremmassa kunnossa ja kestävätkä pidempään, kun niitä hoidetaan ja kunnossapidetään oikein. Uusi kaasugrilli ei ole poikkeus. Kun teet nämä puhdistustoimet ajoissa, grilli pysyy puhtaana ja toimii oikein mahdollisimman vähällä vaivalla.

LIEKIN TAKAISINLYÖNTI

Hämähäkit ja pienet hyönteiset voivat ajoittain kutoa verkkoja tai pesiä polttimen putkiin varastoinnin ja kuljetuksen aikana. Verkot voivat tukkia kaasun virtauksen, mistä voi seurata tulipalo polttimen putkissa tai niiden ympärillä. Puhdistusta pehmeällä harjalla suositellaan ennen käyttöä sekä vähintään kuuden kuukauden välein. Tällaista tulipaloa kutsutaan LIEKIN TAKAISINLYÖNNIKSI ja se voi vahingoittaa grilliä vakavasti sekä vaarantaa käyttäjän turvallisuuden. Vaikka polttimen putken tukkeutuminen ei ole ainoa LIEKIN TAKAISINLYÖNNIN syy, se on yleisin syy, joten polttimen putket pitää tarkistaa ja puhdistaa säännöllisesti. Jos polttimen sisällä tai sen ympäristössä sytty tulipalo, sammuta kaasu välittömästi säiliöltä ja käännä polttimen säädin POIS-asentoon. Odota, kunnes grilli on jäähtynyt, ja puhdistu sitten polttimen putket ja kanavat.

RASVA-ASTIAN PUHDISTUS

Jotta estetään rasvan valuminen grillistä, irrota ja tyhjennä tippa-astia jokaisen käytön jälkeen. Tippa-astian puhdistusta rasvasta voidaan helpottaa kaatamalla hieman vettä astian pohjalle ennen käyttöä. Odota, kunnes tippa-astia on jäähtynyt, ennen kuin hävität sen sisältöä. Tippa-astia pitää pestä säännöllisesti miedon pesuaineen ja lämpimän veden seoksella.

PAISTOPINNAN HOITO

Grillin mukana toimitetaan emaloitu grillaustaso. Paistopinnan oikea käyttö ja hoito ovat tärkeitä, jotta grillaaminen sujuu ongelmitta. Puhdistu paistopinta huolellisesti, kun se jäähtyy käytön jälkeen. Älä jätä ruokaa paistopinnalle, kun se ei ole käytössä.

HUOLTO

Jos laitetta ei voi säätää toimimaan oikein, sitä ei saa käyttää ennen huoltoa.

KUNNOSSAPITO

POLTINTEN PUTKIEN JA KANAVIEN PUHDISTUS

Jotta voidaan pienentää LIEKIN TAKAISINLYÖNNIN mahdollisuutta, polttimen putket pitää puhdistaa seuraavalla tavalla vähintään kerran kuukaudessa kesällä ja syksyllä tai silloin kun hämähäkit toimivat aktiivisesti alueellasi ja grilliä ei ole käytetty pitkään aikaan.

1. Käännä kaikkien poltinten venttiilit POIS-asentoon.
2. Käännä kaasusäiliön venttiili POIS-asentoon.
3. Irrota kaasun matalapainesäätimen kokoonpano kaasugrillistä.
4. Irrota grillin paistotasot.
5. Irrota kunkin polttimen takaosassa oleva sokka pihtien avulla.
6. Nosta jokainen poltin huolellisesti irti kaasuventtiilin suuttimesta.
7. Tarkista ja puhdista polttimen putket / venturiputket hyönteisten ja niiden pesien varalta. Tukkeutunut putki voi aiheuttaa tulipalon grillin alapuolella.
8. Katso kaaviota 1 ja käytä jotakin seuraavista puhdistusmenetelmistä:

MENETELMÄ 1: Taivuta jäykkä lanka tai rautalangasta tehty vaateripustin pieneksi koukuksi kuvan mukaisesti ja poista sitten irt-osat viemällä koukku polttimen putken sisään ja liikuttelulla sitä useita kertoja edestakaisin.



MENETELMÄ 2: Käytä joustavalla varrella varustettua pulloharjaa ja poista irt-osat viemällä harja polttimen putken sisään ja liikuttelulla sitä useita kertoja edestakaisin.

MENETELMÄ 3: Puhalla ilmaa kunkin polttimen putken läpi ilmaletkun avulla. Paineilma puhaltaa irt-osat ja tukokset polttimen läpi ja ulos sen kanavien kautta.

Riippumatta siitä, mitä polttimen puhdistusmenetelmää käytät, suosittelemme tekemään myös seuraavat vaiheet, joilla voidaan pidentää polttimen käyttöikää.

1. Käytä kuituliinaa tai nylonharjaa ja puhdista kunkin polttimen ulkopinta, kunnes niissä ei enää näy ruokajäämiä ja likaa.
2. Puhdista kaikki tukkeutuneet kanavat jäykällä langalla, kuten avatulla paperiliittimellä.
3. Tarkista jokainen poltin vaurioiden (*murtumien tai reikien*) varalta ja jos tällaisia vaurioita havaitaan, tilaa ja asenna uusi poltin. Tarkista asennuksen jälkeen, että kaasuventtiilien suuttimet on sijoitettu oikein polttimen putkien päiden sisään. Tarkista myös sytytys Elektroodin sijainti.

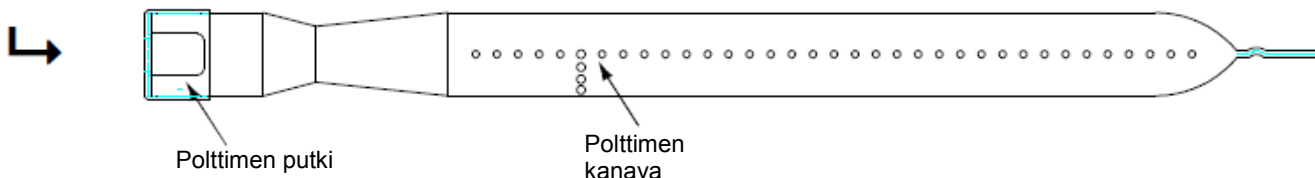


JOTTA VARMISTETAAN TURVALLINEN TOIMINTA, VARMISTA ENNEN GRILLIN KÄYTTÖÄ, ETTÄ KAASUVENTTIILIN SUUTINKOKOONPANO ON POLTTIMEN PUTKEN SISÄLLÄ.

JOS SUUTIN EI OLE POLTTIMEN PUTKEN SISÄLLÄ, POLTTIMEN SYTYTTÄMINEN VOI AIHEUTTAA RÄJÄHDYKSEN JA/TAI TULIPALON, MISTÄ VOI SEURATA VAKAVIA HENKILÖ- JA/TAI OMAISUUSVAHINKOJA.

Kaavio 1

Puhdista polttimen putki viemällä koukku sisään nuolen osoittamasta kohdasta.





COMPRUEBE SIEMPRE SI HAY FUGAS DE GAS CADA VEZ QUE USE SU BARBACOA

Se debe seguir este procedimiento después de alguno de los siguientes casos:

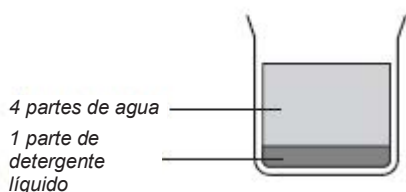
- No haber usado la barbacoa durante un prolongado periodo de tiempo,
- Montaje inicial de la barbacoa,
- Desconexión y reconexión del conjunto de mangueras,
- Cambio de la bombona de gas,
- Tras reconectar la bombona de gas después de haber sido desconectada para su almacenamiento.

COMPROBACIÓN DE FUGAS DE GAS

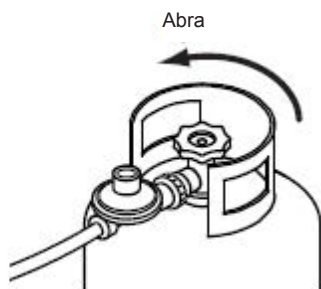
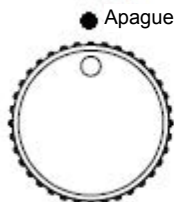


NUNCA COMPRUEBE SI HAY FUGAS CON UNA LLAMA.

1. Prepare una solución de detergente líquido mezclando una (1) parte de detergente líquido y cuatro (4) partes de agua.

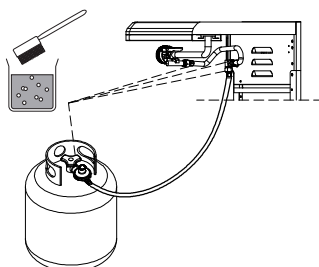


2. Gire los mandos de control del quemador hacia 'OFF', entonces encienda la fuente de gas



PUEDA RECTIFICARLA, CORTE EL GAS EN EL ORIGEN. CONTACTE CON

3. Aplique la solución de detergente líquido en todas las conexiones de gas visibles y accesibles, incluyendo la de la bombona de gas. Si las conexiones no están debidamente selladas, aparecerán burbujas en la solución de detergente líquido. Ajuste o rectifique según sea necesario.



COMPROBACIÓN DE FUGAS DE GAS

Esta barbacoa está aprobada para uso con gas Natural pero puede ser convertida correctamente a LP desde fábrica. Para más detalles contacte con su agente de servicio. La conversión e instalación debe ser realizada por un fontanero o instalador de gas autorizado y cumplir con la normativa local.

ASEGÚRESE DE QUE LOS CONTROLES DEL QUEMADOR ESTÉN APAGADOS

IMPORTANTE: Antes de conectar o desconectar la barbacoa a la fuente de gas, asegúrese de que los controles del quemador están en posición 'OFF'.

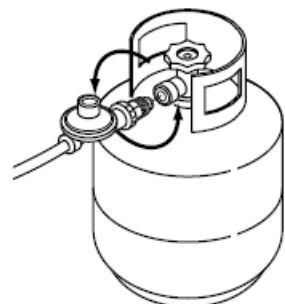
NOTA: La posición 'OFF' en el panel de control se identifica tanto por un pequeño punto negro, una pequeña línea vertical negra o la palabra 'OFF'.

PRECAUCIÓN: Cuando el aparato no esté en uso, el gas debe ser cortado de la bombona de gas.

Familiarícese con la información general y las normas de seguridad situadas en la parte delantera de este folleto. Compruebe si la bombona de gas está llena y que el extremo de cada tubo de quemador está ubicado correctamente sobre cada orificio de válvula. Ponga los controles del quemador en la posición 'OFF'.

CONEXIÓN Y DESCONEXIÓN DE LA FUENTE DE GAS CONEXIÓN A LA FUENTE DE GAS

1. Coloque la bombona de gas en el mueble y asegúrela.
2. Conecte el regulador y el conjunto de mangueras en la salida de la válvula de bombona. Apriete firmemente.
3. Abra completamente la válvula de la bombona de gas para que el gas pueda fluir.
4. Antes de encender la barbacoa, compruebe todas las conexiones accesibles por si hubiera fugas, utilice una solución de agua jabonosa.
5. Si encuentra fugas, apague la válvula de la bombona de gas y vuelva a comprobar que todas las conexiones están apretadas. Si persisten las fugas, no utilice la barbacoa hasta que pueda hacer una reparación o una sustitución.



DESCONEXIÓN DE LA FUENTE DE GAS

1. Apague los controles del quemador.
2. Apague completamente la válvula de la bombona de gas.
3. Separe el conjunto de regulador de la válvula de la bombona de gas.

AHORA LA BARBACOA YA ESTÁ PREPARADA PARA SER USADA

- Antes de usarla por primera vez y al empezar cada sesión de barbacoa:
1. Lea detenidamente las instrucciones de Seguridad, Encendido y Funcionamiento.
 2. Compruebe si hay obstrucciones en los orificios de la válvula de gas, los tubos del quemador y los orificios del quemador. *p. ej. arañas, telarañas, insectos.*
 3. Compruebe y asegúrese de que la bombona de gas esté llena.
 4. Asegúrese de que todas las conexiones estén apretadas con seguridad. Compruebe si hay fugas de gas.

LISTA DE COMPROBACIONES FINALES DEL INSTALADOR

1. Por lo menos una holgura de 1 m hasta las construcciones de combustible con los lados y la parte posterior de la parrilla.
2. No hay una construcción de combustible sin proteger sobre la parrilla.
3. Se ha retirado todo el envasado interior.
4. Los quemadores están asentados correctamente sobre los orificios.
5. Los mandos giran libremente.
6. Unidad probada y sin fugas.
7. Usuario informado de la ubicación de la válvula de corte de suministro de gas.

INSTRUCCIONES DE ENCENDIDO DE LA PARRILLA

- **ADVERTENCIA: ¡IMPORTANTE!**
- **ANTES DE ENCENDER**

Antes de encender el gas, inspeccione la manguera de suministro de gas. Si encuentra evidencias de cortes, desgaste o abrasión, debe realizar la sustitución antes de empezar a usar la barbacoa, el conjunto de mangueras de sustitución debe ser según las especificaciones del fabricante.

MUY IMPORTANTE: ANTES DE UTILIZAR ESTA PARRILLA, INSPECCIONE SIEMPRE LA MANGUERA

- **PARA ENCENDER LOS QUEMADORES PRINCIPALES DE LA PARRILLA:**

1. *Antes de encender, lea las instrucciones.*
2. Gire los mandos a "O" y luego abra la válvula del depósito. Cuando encienda la parrilla mantenga la cara y el cuerpo lo más alejados posible de la misma.
3. Cuando encienda, abra la tapadera.
4. Empuje y gire los mandos de control lentamente a la posición "MAX". El electrodo hará chispas simultáneamente para encender el quemador secuencialmente. Repita la misma operación para encender cada quemador. Si el quemador no se enciende en menos de 5 segundos, gire INMEDIATAMENTE el mando de control a la posición "O", espere 5 minutos para que se disperse el gas y luego repita el procedimiento de encendido.
5. Si el quemador no se puede encender tras 3-4 intentos, siga las instrucciones para encender con cerillas.

- **ENCENDER LOS QUEMADORES PRINCIPALES CON CERILLAS :**

Si el quemador no se enciende tras varios intentos, el quemador se puede encender con cerillas. Uso:

1. Antes de encender, lea las instrucciones.
2. Cuando encienda, abra la tapadera.
3. Simplemente, coloque una cerilla entre las bobinas del extremo del vástago de encendido, encienda la cerilla e insértela en el agujero del fogón para que se encienda.
4. Empuje y gire el mando a la posición "MAX", y asegúrese de que el quemador se enciende y permanece encendido.
5. Repita la pasos 3 a 4 para encender los otros quemadores.

Guarde una botella de pulverización de agua jabonosa cerca de la válvula de suministro de gas y antes de cada uso compruebe las conexiones.

Si detecta olor a gas no encienda la parrilla.

- **CARACTERÍSTICAS DE LA LLAMA**

Compruebe que las características de la llama del quemador sean apropiadas. Todos los quemadores se ajustan antes del envío; sin embargo, las variaciones en el suministro de gas local puede hacer necesarios algunos ajustes.

Las llamas de los quemadores deberían ser azules y estables sin puntas amarillas, excesivo ruido ni separación. Si se produce alguna de estas situaciones, llave al nuestra línea de atención al cliente. Si la llama es amarilla, es indicativo de insuficiente aire. Si la llama es ruidosa y tiende a separarse del quemador, es indicativo de demasiado aire.

NOTA: una pequeñas puntas amarillas están bien.

COLOCACIÓN DE LA PARRILLA

1. Limpie la parrilla.
2. Guarde la parrilla en el exterior en una zona seca y bien ventilada, fuera del alcance de los niños cuando el depósito de gas esté conectado a la parrilla.
3. Guarde la parrilla en el interior en una zona seca SOLO después de apagar y retirar el depósito de gas, el depósito de gas debe guardarse en el exterior, fuera del alcance de los niños, no guarde NUNCA el depósito en un edificio, garaje ni ninguna otra zona cerrada.
4. Coloque la cubierta de vinilo suministrada con esta parrilla.

BÚSQUEDA DE FALLOS

SI LA BARBACOA NO SE ENCIENDE

1. Corte la fuente de gas y gire los mandos de control del quemador a 'OFF' (apagado). Espere por lo menos cinco (5) minutos para que se disperse el gas, luego vuelva a intentarlo.
2. Si la barbacoa no se enciende, compruebe el suministro y las conexiones de gas.
3. Repita el procedimiento de encendido. Si la barbacoa todavía no funciona, corte la fuente de gas, gire los mandos de control a 'OFF', y luego compruebe lo siguiente:

- **Obstrucción en la línea de gas**

Corrección: Retire la línea de combustible de la barbacoa. ¡No fume! Abra el suministro de gas durante un segundo para limpiar las obstrucciones de la línea de combustible. Cierre al fuente de suministro de gas y vuelva a conectar la línea de combustible a la barbacoa.

- **Orificio taponado**

Corrección: Quite los quemadores de la barbacoa. Levante cuidadosamente cada quemador y sepárelo del orificio de la válvula de gas. Quite el orificio de la válvula de gas y limpie suavemente la obstrucción con un alambre fino. Luego reinstale todos los orificios, quemadores, pasadores y componentes de cocción. Si sospecha que hay una obstrucción en las válvulas de gas o en el colector, contacte con el punto de venta o con el fabricante.

EL FLUJO DE GAS PARECE ANÓMALO

1. Compruebe que la bombona de gas no esté vacía.
2. Los quemadores están sucios y atascados.
3. El regulador de gas no funciona.

HUELE A GAS

1. La válvula de gas está abierta.
2. La manguera de gas tiene fugas (compruebe con agua jabonosa)
3. La manguera de gas está doblada, dañada o no está colocada correctamente.

LA BARBACOA NO SE CALIENTA

1. La válvula de gas no está abierta.
2. El mando del horno no se ha abierto correctamente.
3. El quemador de horno se ha estropeado.

EXCESIVO HUMO

1. Se está quemando aceite o grasa que quedaron de otras veces (después de cocinar se debe limpiar el aceite y la grasa).

COCCIÓN CON LA TAPA BAJADA

IMPORTANTE:

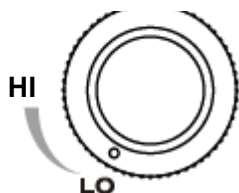
Cuando cocine con la tapa bajada, nunca utilice todos los quemadores en 'HI'.

Pre calentamiento: Ponga la barbacoa en funcionamiento con la tapa cerrada y todos los quemadores al máximo durante 10-15 min.

Cocción: Ponga los quemadores al mínimo. Los quemadores pueden ajustarse a la temperatura de cocción que desee, NO supere los 250 °C.

NOTA: Si supera los 250 °C durante mucho tiempo, se pueden ocasionar daños a la quemadores.

OFF (apagado)



CUIDADOS Y MANTENIMIENTO

Como con todos aparatos, un cuidado y mantenimiento correctos los mantendrá unas condiciones óptimas de funcionamiento y prolongará su vida. Su nueva barbacoa de gas no es una excepción. Si sigue estos procedimientos de limpieza de manera regular, su barbacoa se mantendrá limpia y funcionará correctamente con un esfuerzo mínimo.

RETROCESO DE LA LLAMA

Las arañas y otros pequeños insectos a veces tejen telarañas o hacen nidos en los tubos de los quemadores durante el almacenamiento o el transporte. Estas telarañas pueden provocar una obstrucción del flujo de gas, que podría tener como resultado un incendio en los tubos de los quemadores. Se recomienda que limpie con un cepillo suave antes de cada uso y como poco cada seis meses. Este tipo de fuego se conoce como 'RETROCESO DE LA LLAMA' y puede ocasionar graves daños en la barbacoa y crear condiciones inseguras de funcionamiento para el usuario. Aunque un tubo de quemador obstruido no es la única causa del 'RETROCESO DE LA LLAMA', sí que es la más común y es necesaria una frecuente inspección y limpieza de los tubos de los quemadores.

Si se produce un incendio en el quemador, corte inmediatamente la fuente de gas y gire el control del quemador a la posición 'OFF', espere hasta que la barbacoa se haya enfriado, luego limpie los tubos de quemador y los orificios del quemador.

LIMPIEZA DE LA BANDEJA DE GRASA

Para evitar que la grasa gotee desde la barbacoa, retire y vacíe la bandeja antigoteo después de cada uso. Antes de cada uso puede colocar una pequeña cantidad de agua en la bandeja antigoteo para ayudar a eliminar la grasa. Espere a que la bandeja antigoteo se enfríe antes de tocarla para desechar su contenido. Debe lavar periódicamente la bandeja antigoteo con una solución de detergente suave y agua templada.

CUIDADOS DE LA SUPERFICIE DE COCCIÓN

La barbacoa se suministra con una plancha y una parrilla de esmalte. Es importante usar y cuidar correctamente la superficie de cocción para asegurar una cocción sin problemas.

Limpie profundamente mientras la superficie de cocción se está enfriando.

No deje alimentos sobre la superficie de cocción cuando no la utilice.

ASISTENCIA

Si no puede ajustar el aparato para que funcione correctamente, no debería utilizarlo hasta que reciba asistencia.

MANTENIMIENTO

LIMPIEZA DE LOS TUBOS DE QUEMADORES Y DE LOS ORIFICIOS DE QUEMADORES

Para reducir las posibilidades de FUEGO POR RETROCESO DE LLAMA, se deben limpiar los tubos de los quemadores de la siguiente manera por lo menos una vez al mes en verano y otoño o cuando las arañas estén activas en su zona, y si la barbacoa no se ha utilizado durante un periodo de tiempo prolongado.

1. Ponga todas las válvulas de quemador en la posición 'OFF'
2. Ponga la válvula de la bombona de gas LP en la posición 'OFF'.
3. Separe el conjunto de regulador de gas LP de la barbacoa de gas.
4. Retire las planchas de cocción de la barbacoa.
5. Con unos alicates de punta larga, quite el pasador de la parte trasera de cada quemador.
6. Levante cuidadosamente cada quemador y sepárelo del orificio de la válvula de gas.
7. Compruebe y limpie los tubos venturi / quemador por si hubiera insectos o nidos de insectos. Un tubo atorado puede producir un fuego por debajo de la barbacoa.
8. Consulte el diagrama 1 y realice uno de estos tres métodos de limpieza:

MÉTODO 1: Doble un alambre rígido o una percha de alambre para formar un pequeño gancho y lleve el gancho a través del tubo de quemador y dentro del quemador varias veces para eliminar la suciedad.



MÉTODO 2: Utilice un cepillo de botellas con un mango flexible y lleve el cepillo a través del tubo de quemador y dentro del quemador varias veces para eliminar la suciedad.

MÉTODO 3: Utilice una manguera de aire para que el aire pase forzado a cada tubo de quemador. Aire a presión debería arrastrar la suciedad y las obstrucciones a través del quemador y de los orificios.

Independientemente del procedimiento de limpieza de quemador que utilice, se recomienda completar los siguientes pasos para prolongar la vida del quemador.

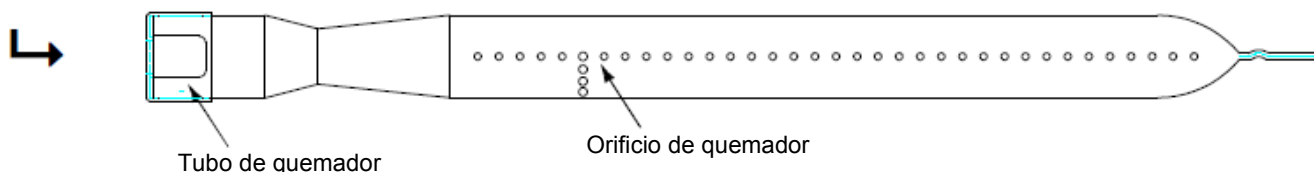
1. Con una almohadilla de fibra o un cepillo de nilón limpie toda la superficie exterior de cada quemador hasta que quede sin residuos de alimentos ni suciedad.
2. Limpie los orificios atorados con un alambre rígido, tal como un clip estirado.
3. Inspeccione cada quemador por si tuviera daños (*grietas o agujeros*) y en tal caso, pida e instale un quemador nuevo. Tras la instalación, compruebe que los orificios de la válvula de gas estén colocados correctamente dentro de los extremos de los tubos de los quemadores. Compruebe también la posición del electrodo de chispa.



PARA QUE EL FUNCIONAMIENTO SEA SEGURO, ANTES DE USAR LA BARBACOA, ASEGÚRESE DE QUE EL ORIFICIO DEL CONJUNTO DE VÁLVULA DE GAS ESTÉ DENTRO DEL TUBO DE QUEMADOR. SI EL ORIFICIO NO ESTÁ DENTRO DEL TUBO DE QUEMADOR, SI SE ENCIENDO EL QUEMADOR SE PUEDE PROVOCAR UNA EXPLOSIÓN O UN INCENDIO QUE PUEDEN TENER COMO RESULTADO LESIONES PERSONALES O DAÑOS EN LA PROPIEDAD.

Diagrama 1

Para limpiar el tubo de quemador, inserte el gancho como se indica con la flecha.





VERIFIQUE SEMPRE FUGAS DE GÁS DE CADA VEZ QUE UTILIZAR A SUA CHURRASQUEIRA.

Deve seguir este procedimento após cada situação seguinte, se:

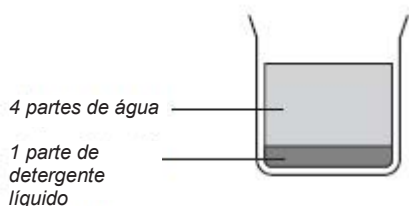
- Não tiver utilizado a churrasqueira durante um longo período,
- Montagem inicial da churrasqueira,
- Qualquer desconexão e re-conexão do conjunto da mangueira,
- Troca da botija do gás,
- Após re-ligação da botija do gás depois de ter sido desligada para armazenamento.

VERIFICAR FUGAS DE GÁS

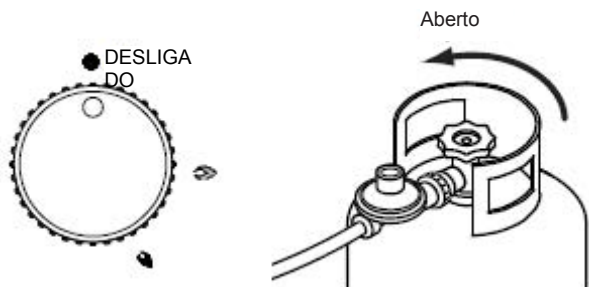


NUNCA VERIFIQUE FUGAS DE GÁS COM UMA CHAMA.

1. Faça uma solução de detergente líquido misturando uma (1) parte de detergente líquido e quatro (4) partes de água.

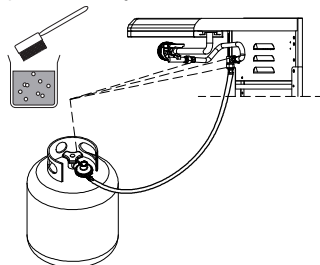


2. Rode o(s) botão(ões) de controlo do queimador para ÔOFFÔ, em seguida, ligue o gás na origem.



SE TIVER UMA FUGA DE GÁS QUE NÃO POSSA CORRIGIR, DESLIGUE O GÁS NA ORIGEM. CONTACTE O FORNECEDOR DE SERVIÇOS

3. Aplique a solução de detergente líquido em todas as conexões visíveis e acessíveis do gás, incluindo a ligação à botija. Se as conexões não estiverem devidamente vedadas aparecerão bolhas na solução do detergente líquido. Aperte ou corrija conforme for necessário.



VERIFICAR FUGAS DE GÁS

Este churrasco está aprovado para utilização com gás natural mas deve ser devidamente convertido por LP de construção de fábrica. Contacte o seu **fornecedor de serviços** para mais informações.

A conversão e instalação devem ser efectuadas por um canalizador ou instalador de gás autorizado e estar em conformidade com os regulamentos locais

GARANTIR QUE OS CONTROLOS DO QUEIMADOR ESTÃO DESLIGADOS

IMPORTANTE: Antes de ligar e desligar a churrasqueira da origem do gás, certifique-se de que os controlos do queimador estão na posição "DESLIGADO".

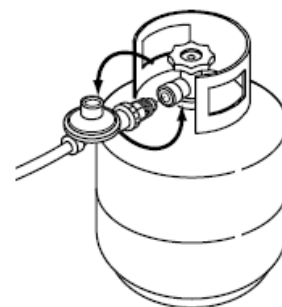
NOTA: A posição "DESLIGADO" no painel de controlo está identificada por um pequeno ponto preto / uma linha preta vertical curta / ou pela palavra "DESLIGADO".

CUIDADO: Quando o dispositivo não estiver em utilização, o gás deve estar desligado na botija.

Familiarize-se com as informações gerais e as orientações de segurança localizadas na parte da frente deste folheto. Verifique se a botija do gás está cheia e se a extremidade de cada tubo do queimador está devidamente situado sobre cada orifício da válvula. Set Coloque os controlos do queimador na posição "DESLIGADO".

LIGAR, E DESLIGAR DA ORIGEM DO GÁS LIGAR À ORIGEM DO GÁS

1. Coloque a botija do gás no armário e fixe-a.
2. Ligue o regulador e o conjunto da mangueira à saída da válvula da botija. Aperte com firmeza.
3. Abra a válvula da botija de gás completamente para deixar sair o gás.
4. Teste cuidadosamente fugas em todas as ligações acessíveis utilizando uma solução de água e sabão antes de acender a churrasqueira.
5. Se tiver encontrado uma fuga, desligue a válvula da botija do gás e volte a verificar se todas as conexões foram apertadas. Se ainda continuar a existir uma fuga não utilize a churrasqueira até poderem ser feitas reparações ou a substituição.



DESLIGAR DA ORIGEM DO GÁS

1. DESLIGUE os controlos do queimador.
2. Desligue completamente a válvula da botija do gás.
3. Retire o conjunto do regulador da válvula da botija do gás.

A SUA CHURRASQUEIRA ESTÁ AGORA PRONTA A USAR

Antes da primeira utilização e no início de cada época de churrasco:

1. Por favor leia cuidadosamente as *Instruções de Segurança, Ligação e Funcionamento*.
2. Verifique se existem obstruções nos orifícios da válvula do gás, nos tubos do queimador e nas portas do queimador. *por exemplo, aranhas, teias, insectos.*
3. Verifique e certifique-se de que a botija do gás está cheia.
4. Certifique-se de que todas as ligações estão bem apertadas. Verificar fugas de gás.

LISTA DE VERIFICAÇÃO FINAL DO INSTALADOR

1. Manter pelo menos 1 m de espaço livre entre as estruturas combustíveis e os lados e a parte de trás do grelhador.
2. Não há estruturas combustíveis desprotegidas sobre o grelhador.
3. Todas as embalagens internas retiradas.
4. Os queimadores estão devidamente colocados nos orifícios.
5. Os botões rodam livremente.
6. A unidade foi testada e não tem fugas.
7. O utilizador está informado do local da válvula de desligamento da alimentação do gás.

INSTRUÇÕES DE LIGAÇÃO DO GRELHADOR

- **AVISO: IMPORTANTE!**

- **ANTES DE LIGAR**

Inspeccione a mangueira de alimentação do gás antes de "LIGAR" o gás. Se houver marcas de cortes, desgaste, ou abrasão, deve ser substituída antes da utilização, a substituição do conjunto da mangueira deve ser a especificada pelo fabricante.

MUITO IMPORTANTE: ANTES DE CADA UTILIZAÇÃO DESTA GRELHADOR INSPECCIONE SEMPRE A MANGUEIRA.

- **PARA ACENDER OS QUEIMADORES PRINCIPAIS DO GRELHADOR:**

1. *Leia as instruções antes de o acender.*
2. Rode todos os botões para "O" em seguida, abra a válvula do depósito. Quando acender o grelhador mantenha sempre o rosto e o corpo o mais afastado possível do grelhador.
3. Porta aberta durante o acendimento.
4. Empurre e rode o botão de controlo lentamente para a posição "MÁX". O electrodo acenderá simultaneamente para acender o queimador em série. Repita a mesma operação ao acender cada queimador. Rode o botão de controlo para a posição "O" IMEDIATAMENTE se o queimador não se acender dentro de 5 segundos, aguarde 5 minutos para dispersar o gás, em seguida, repita o procedimento de acendimento.
5. Siga as instruções de acendimento com fósforos se o queimador não puder ser aceso após repetir 3-4 vezes.

- **PARA ACENDER OS QUEIMADORES PRINCIPAIS COM FÓSFOROS :**

Se o queimador não acender após várias tentativas, pode ser aceso com fósforos. Utilização:

1. *Leia as instruções antes de o acender.*
2. *Abra a porta durante o acendimento.*
3. *Basta colocar um fósforo entre as bobinas na extremidade da haste de acendimento, acenda o fósforo e insira-o no orifício da caldeira para incendiar.*
4. *Empurre e rode o botão para a posição "MÁX", e certifique-se de que o queimador acende e fica aceso.*
5. *Repita os números 3~4 para acender os outros queimadores.*

Tenha um borrifador com água e sabão perto da válvula de alimentação do gás e verifique as ligações antes de cada utilização.

Não acenda o grelhador se sentir odor a gás.

- **CARACTERÍSTICAS DA CHAMA**

Verifique a existência de características próprias da chama do queimador. Cada queimador é ajustado antes do envio; no entanto, as alterações no fornecimento local do gás podem exigir ajustes subtis.

As chamas do queimador devem ser azuis e estáveis sem pontas amarelas, ruído ou subida excessivos. Se ocorrer alguma destas condições contacte a linha de apoio ao cliente. Se a chama for amarela, indica ar insuficiente. Se a chama for ruidosa e tender a levantar do queimador, indica demasiado ar.

NOTA: pequenas pontas amarelas são normais.

COLOCAÇÃO DO GRELHADOR

1. Limpe o grelhador.
2. Guarde o grelhador num local exterior seco e bem ventilado e fora do alcance das crianças quando a botija estiver ligada ao grelhador.
3. Guarde o grelhador num local interior seco APENAS após ter desligado e retirado a botija do gás, a botija do gás deve ficar no exterior, fora do alcance das crianças, NUNCA guarde a botija num edifício, garagem ou qualquer outra área fechada.
4. Coloque a cobertura de vinil fornecida com este grelhador.

DETECÇÃO DE FALHAS

SE A CHURRASQUEIRA NÃO ACENDER

1. Desligue o gás na origem e rode os botões de controlo do queimador para "DESLIGADO". Aguarde pelo menos cinco (5) minutos para que o gás desapareça, em seguida, tente novamente.
2. Se a sua churrasqueira continuar a não acender, verifique a alimentação do gás e as ligações.
3. Repita o procedimento de acendimento. Se a sua churrasqueira continuar a não funcionar, desligue o gás na origem, rode os botões de controlo para "DESLIGADO", em seguida verifique o seguinte:

- **Obstrução no tubo do gás**

Correcção: Retire o tubo do gás da churrasqueira. Não fume! Abra a alimentação do gás durante um segundo para limpar qualquer obstrução do tubo do combustível. Feche a alimentação do gás na origem e volte a ligar o tubo do combustível à churrasqueira.

- **Orifício ligado**

Correcção: Retire os queimadores da churrasqueira. Levante cuidadosamente cada queimador e afaste-o do orifício da válvula do gás. Retire o orifício da válvula do gás e limpe suavemente qualquer obstrução com um fio fino. Em seguida, re-instale todos os orifícios, queimadores, cavilhas e componentes de cozinha. Se suspeitar de uma obstrução nas válvulas do gás ou no colectador, contacte o ponto de venda ou de fabrico.

O FLUXO DE GÁS PARECE ANÓMALO

1. Verifique se a botija não está vazia.
2. Os furos dos queimadores estão sujos e entupidos.
3. O regulador do gás não está a funcionar.

CHEIRO A GÁS

1. A válvula do gás está aberta.
2. A mangueira do gás tem fuga (Verifique com água e sabão)
3. A mangueira do gás está dobrada ou danificada ou não está colocada correctamente.

A CHURRASQUEIRA NÃO AQUECE

1. A válvula do gás não está aberta.
2. Botão do forno não está devidamente aberto.
3. O queimador do forno apagou-se.

FUMO EXCESSIVO

1. Queimaduras de óleos e gorduras deixados (os óleos e gorduras devem ser limpos após cada cozinhado).

COZINHAR COM A TAMPA DESCIDA

IMPORTANTE:

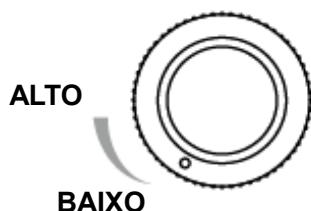
Nunca utilize todos os queimadores em "HI" quando cozinhar com a tampa descida.

Pré-aquecimento: Opere a BBQ com a tampa fechada e com todos os queimadores no máximo durante 10 a 15 minutos

Cozinhar: Rode os queimadores para a configuração baixa. Os queimadores podem ser ajustados para a temperatura de cozedura necessária, NÃO ultrapasse os 250°C

NOTA: Ultrapassar os 250°C durante longos períodos de tempo pode provocar danos no

DESLIGADO



CUIDADO E MANUTENÇÃO

Como para todos os dispositivos, o cuidado e manutenção adequados irão mantê-los em perfeitas condições de funcionamento e prolongam a sua duração. A sua nova churrasqueira a gás não é excepção. Seguindo estes procedimentos de limpeza periodicamente, a sua churrasqueira manter-se-á limpa e a funcionar adequadamente com esforço mínimo.

RETORNO DA CHAMA

Ocasionalmente as aranhas e pequenos insectos tecem teias ou fazem ninhos nos tubos dos queimadores durante o armazenamento e transporte. Estas teias podem levar a obstrução do fluxo de gás que pode resultar em incêndio dentro e à volta dos tubos dos queimadores. Recomenda-se que limpe com uma escova macia antes de utilizar e pelo menos de seis em seis meses. Este tipo de fogo é conhecido como "RETORNO DA CHAMA" e pode provocar danos graves na sua churrasqueira e criar uma situação de funcionamento não seguro para o utilizador. Embora um tubo do queimador obstruído não seja a única causa do "RETORNO DA CHAMA" é a causa mais comum e é necessária a limpeza e inspecção frequentes dos tubos dos queimadores. Se ocorrer fogo no e à volta do queimador, desligue imediatamente o gás na sua origem e rode o controlo do queimador para "DESLIGADO", aguarde até a churrasqueira ter arrefecido, em seguida, limpe os tubos do queimador e as portas do queimador.

LIMPAR O TABULEIRO DE GORDURA

Para evitar pingos de gordura da churrasqueira retire e despeje o tabuleiro de recolha após cada utilização. Pode ser colocada uma pequena quantidade de água no tabuleiro de recolha antes da utilização para ajudar na remoção da gordura. Aguarde até o tabuleiro de recolha estar frio para lhe tocar antes de eliminar o conteúdo. O tabuleiro de recolha deve ser lavado regularmente numa solução de água quente e detergente neutro.

CUIDADO DA SUPERFÍCIE DE COZEDURA

A sua churrasqueira é fornecida com uma grelha de esmalte e uma placa. A utilização e cuidado correctos da superfície de cozedura é importante para garantir cozinhados sem problemas.

Limpe cuidadosamente enquanto a superfície de cozedura está a arrefecer.

Não deixe alimentos na superfície de cozedura quando não está em utilização.

SERVIÇO

Se o dispositivo não puder ser ajustado para funcionar correctamente, não deve ser utilizado até ser revisto.

MANUTENÇÃO

LIMPAR OS TUBOS DOS QUEIMADORES E AS PORTAS DOS QUEIMADORES

Para reduzir a hipótese de FOGO DE RETORNO deve limpar os tubos dos queimadores como se segue pelo menos uma vez por mês no verão e no outono ou sempre que as aranhas estejam activas na sua zona, e se a sua churrasqueira não tiver sido utilizada durante um longo período de tempo.

1. Rode todas as válvulas do queimador completamente para a posição "DESLIGADO".
2. Rode a válvula da botija do gás LP completamente para a posição "DESLIGADO".
3. Retire o conjunto do regulador de gás LP da sua churrasqueira a gás.
4. Retire as placas de cozedura da sua churrasqueira.
5. Retire a cavilha da parte de trás de cada queimador utilizando um alicate de nariz.
6. Levante cuidadosamente cada queimador e afaste-o do orifício da válvula do gás.
7. Verifique e limpe os tubos dos queimadores / venturi de insectos e ninhos. Um tubo entupido pode levar a incêndio por baixo da churrasqueira.
8. Consulte o diagrama 1 e realize um dos três métodos de limpeza:

MÉTODO 1: Dobre um arame rígido ou um cabide de arame num pequeno gancho como mostrado e passe o gancho através do tubo do queimador e dentro do queimador várias vezes para retirar resíduos.



MÉTODO 2: Utilize uma escova de garrafa com uma alça flexível e passe o pincel através do tubo do queimador e dentro do queimador várias vezes para retirar quaisquer resíduos.

MÉTODO 3: Utilize uma mangueira de ar para forçar o ar através de cada tubo do queimador. O ar forçado deve passar resíduos ou obstruções através do queimador e para fora das portas.

Independentemente do procedimento de limpeza de queimadores que utilize, recomendamos que também conclua os passos seguintes para ajudar a prolongar a duração do queimador.

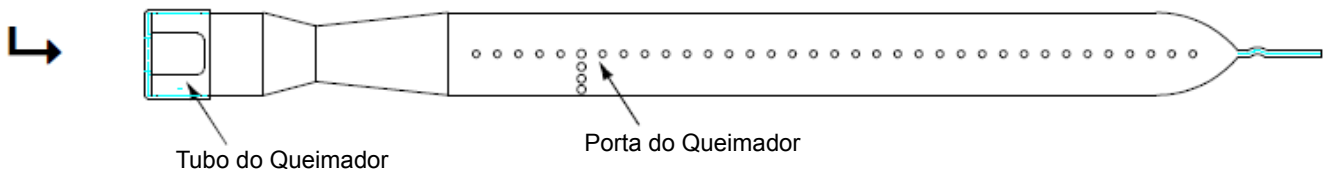
1. Utilize uma almofada de fibra ou pincel de nylon para limpar toda a superfície externa de cada queimador até ficar livre dos resíduos de alimentos e sujidade.
2. Limpe todas as portas entupidas com um arame rígido, tal como um clipe de papel aberto.
3. Verifique a existência de danos nos queimadores (*fendas ou buracos*) e se tal dano tiver sido encontrado, compre e instale um novo queimador. Após a instalação, verifique se os orifícios da válvula de gás estão correctamente colocados nas extremidades dos tubos dos queimadores. Verifique também a posição do seu electrodo de faísca.



PARA FUNCIONAMENTO SEGURO CERTIFIQUE-SE DE QUE O ORIFÍCIO DO CONJUNTO DA VÁLVULA DE GÁS ESTÁ DENTRO DO TUBO DO QUEIMADOR ANTES DE UTILIZAR A SUA CHURRASQUEIRA. SE O ORIFÍCIO NÃO ESTIVER DENTRO DO TUBO DO QUEIMADOR, ACENDER O QUEIMADOR PODE PROVOCAR EXPLOÇÃO E / OU INCÊNDIO QUE RESULTAM EM OFENSAS CORPORAIS GRAVES E / OU DANOS MATERIAIS.

Diagrama 1

Para limpar o tubo do queimador, insira o gancho como indicado pela seta.





TJEK ALTID FOR GASLÆKAGER HVER GANG DU BRUGER DIN GRILL.

Du skal følge disse procedurer efter hvert af følgende:

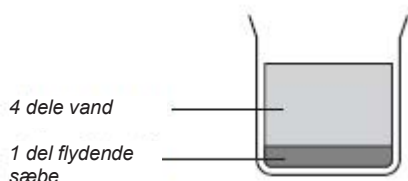
- Når du ikke har brugt din grill i en længere periode.
- Indledende samling af grillen.
- En hver adskillelse eller samling af slangeforbindelser.
- Udskiftning af gasflaske.
- Efter gentilslutning af gasflasken efter den har været stillet til opbevaring.

TJEKKE FOR GASLÆKAGER

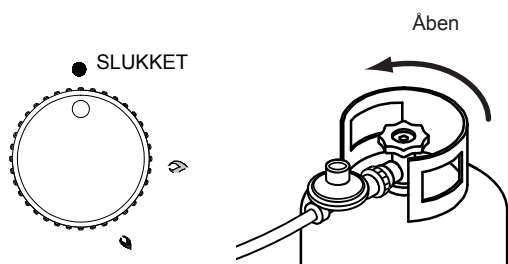


TJEK ALDRIG FOR LÆKAGER MED EN FLAMME.

1. Lave en sæbeopløsning ved at blande en (1) del flydende sæbe med fire (4) dele vand.

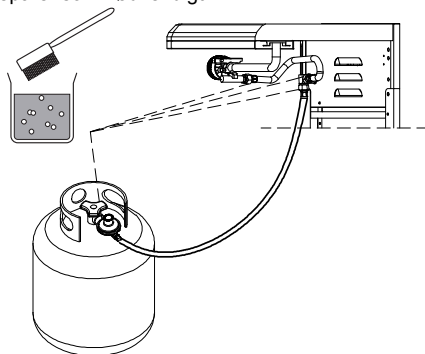


2. Sæt brænderregulatorerne til "OFF", tænd så for gasflasken.



IKKE KAN RETTE, SLUK FOR GASFLASKEN. KONTAKT ET

3. Påfør sæbeopløsningen på alle synlige og tilgængelige gastilslutninger, også tilslutningen til gasflasken. Der vil opstå sæbebobler i sæbeopløsningen, hvis der er forbindelser, der ikke er tætte. Tætn eller reparer som nødvendigt.



TJEKKE FOR GASLÆKAGER

Denne gasgrill er godkendt til brug med naturgas men skal ombygges til dette. Kontakt dit serviceværksted for detaljer. Ombygningen skal foretages af en autoriseret gas- og vandmester, og den skal opfylde lokale bestemmelser.

KONTROL AF AT BRÆNDERREGULATORERNE ER SLUKKET

VIGTIGT: Inden tilslutning eller frakobling af gasflasken, kontroller at brænderregulatorerne er i slukket position.

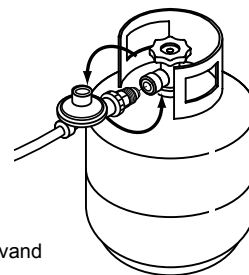
BEMÆRK: Den slukkede position på kontrolpanelet er vist ved enten en lille sort plet / en sort lodret streg / eller ordet "OFF".

FORSIGTIG: Når apparatet ikke er i brug, skal der være slukket for gassen på gasflasken.

Gør dig selv bekendt med de generelle oplysninger og sikkerhedsinstrukserne der findes forrest i dette hæfte. Kontroller, at der er gas på gasflasken og at enden af hver af brænderne er korrekt placeret over hver ventilåbning. Sæt brænderregulatorerne til slukket position.

TILSLUTNING TIL, OG FRAKOBLING FRA GASFLASKEN TILSLUTNING TIL GASFLASKEN

1. Placer gasflasken i skabet og luk det.
2. Monter regulatoren og slangesamlingen til cylinderventilens udgang. Spænd godt fast
3. Åbn gascylinderventilen helt for at lade gassen flyde.
4. Tjek alle tilgængelige tilslutninger grundigt for gaslækager med sæbevand inden der tændes for grillen.
5. Hvis der findes en lækage, sluk for gasflasken og tjek igen at alle tilslutninger er tilspændte. Hvis der stadigvæk er en lækage, brug ikke grillen før den er blevet repareret eller udskiftet.



Frakobling fra gasflasken

1. Sæt brænderregulatorerne til slukket position
2. Sluk helt for cylinderventilen.
3. Frakobl gasregulatorhovedet fra gasflaskens cylinderventil.

NU ER DIN GRILL KLAR TIL BRUG

1. Før første ibrugtagning og ved begyndelsen af en ny grillsæson: Læs sikkerheds-, tændings- og betjeningsvejledningerne omhyggeligt.
2. Tjek gasventilåbningerne, brænderrør og brænderporte for blokeringer, fx edderkopper, hvepse, insekter.
3. Kontroller at gasflasken er fuld.
4. Kontroller at alle tilslutninger fastgjort og strammet. Tjek for gaslækager

INSTALLATIONSPROGRAMMETS ENDELIG TJEKLISTE

1. Der skal være mindst 1 m frit rum mellem grillens sider og brandbare konstruktioner.
2. Der ikke er nogen ubeskyttet brandbar konstruktion over grillen.
3. Al intern emballage er fjernet.
4. Brænderne sidder korrekt over åbningerne.
5. Knapperne kan frit drejes.
6. Enheden er uden lækager.
7. Brugeren er bekendt med gasforsyningens lukkeventil.

INSTRUKTIONER FOR TÆNDING AF GRILLEN

- **ADVARSEL: VIGTIGT!**
- **INDEN TÆNDING**

Tjek en sidste gang gasforsyningsslangen inden der tændes for gassen. Hvis der er tegn på revner, slidtage eller skrammer, skal den udskiftes inden brug. Udskiftningsslangens samling skal være den, der er specificeret af fabrikanten.

MEGET VIGTIGT: INSPICER ALTID SLANGEN HVER GANG DU SKAL BRUGE GRILLEN.

- **FOR AT TÆNDE FOR GRILLENS HOVEDBRÆNDERE:**

1. Læs instruktionerne inden du tænder.
2. Drej alle knapper til "O", tænd så for gasflasken. Hold altid dit ansigt og din krop så langt fra grillen som muligt ved tænding.
3. Åbn låget under tænding.
4. Skub og drej en hvilken som helst knap langsomt til "MAKS."-position. Elektroderne vil udsende gnister samtidigt, for at tænde brænderne i rækkefølge. Gentag samme operation ved tænding af hver brænder. Drej ØJEBLIKKELT regulatorknappen til "O"-positionen hvis brænderen ikke tænder inden for 5 sekunder. Vent 5 minutter for at gassen kan forsvinde, gentag herefter tændingsproceduren.
5. Følg vejledningen til tænding med tændstik hvis brænderen ikke tænder efter 3-4 gentagne forsøg.

- **FOR AT TÆNDE HOVEDBRÆNDERE MED EN TÆNDSTIK :**

Hvis brænderen ikke tænder efter adskillige forsøg, kan man tænde brænderen med en tændstik. Brug:

1. Læs instruktionerne inden du tænder.
2. Åbn låget under tænding.
3. Placer en tændstik mellem spolerne i enden af tændingsstaven, tænd tændstikken og indsæt den i hullet i brandboksen for at tænde.
4. Skub og drej knappen til positionen "MAKS.", og kontroller at brænderen tænder og forbliver tændt.
5. Gentag 3~4 for at tænde de andre brændere.

Opbevar en flaske med sæbevand i nærheden gasflasken og tjek tilslutningerne inden hver brug.

Tænd ikke for grillen hvis der kan lugtes gas.

- **FLAMMEUDSEENDE**

Tjek at brænderens flamme har det rigtige udseende. Hver brænder er justeret inden afsendelse fra fabrik. På grund af forskelle i de lokale gasforsyninger kan de måske kræve en finjustering.

Brænderens flamme skal være blå og stabil uden gule spidser, uden for megen støj, og uden den forsøger at løfte sig. Ring til vores kundeservice, hvis nogen af disse forhold optræder. Hvis flammen er gul, skyldes det utilstrækkeligt med luft. Hvis flammen er støjende og den forsøger at løfte sig fra brænderen, betyder det, at der er for meget luft.

BEMÆRK: små gule spidser er OK.

PLACERING AF GRILLEN

1. Rengøring af grillen.
2. Opbevar grillen på et godt ventileret sted udendørs, uden for børns rækkevidde, hvis gasflasken er tilsluttet.
3. Opbevar grillen indendørs KUN efter gasflasken er slukket og frakoblet.
Gasflasken skal opbevares udendørs og uden for børns rækkevidde. Opbevar ALDRIG gasflasken i en bygning, garage eller i et andet lukket område.
4. Betræk grillen med det medfølgende vinylbetræk.

FEJLFINDING

HVIS GRILLEN IKKE VIL TÆNDE

1. Sluk for gasflasken og sæt brænderregulatorerne til slukket position. Vent i mindst fem (5) minutter til gassen er forsvundet, og prøv igen.
2. Hvis din grill ikke vil tænde, kontroller gasforsyningen og tilslutningerne.
3. Gentag tændingsproceduren. Hvis din grill stadigvæk ikke vil tænde, sluk for gassen på gasflasken, drej regulatorknapperne til slukket position og tjek følgende:

- **Blokering i gasforbindelsen**

Udbedring: Fjern fødeslangen fra grillen. Ryg ikke! Åbn for gasflasken i et sekund for at fjerne eventuelle blokeringer i slangen. Luk for ventilen på gasflasken og sæt slangen tilbage på grillen.

- **Tilstoppede åbninger**

Udbedring: Fjern brænderne fra grillen. Løft forsigtigt hver brænder væk fra gasventilens åbning. Fjern åbningerne fra gasventilen, fjern eventuelle fremmedlegemer med en fin ståltråd. Genmonter alle åbninger, brændere, splitter og grillkomponenter. Hvis man mistænker at der er en blokering i gasventil eller manifold, kontakt købestedet eller fabrikanten.

GASFLOWET VIRKER IKKE NORMALT

1. Kontroller at gasflasken ikke er tom.
2. Brænderhullerne er snavsede eller blokerede.
3. Gasregulatoren virker ikke.

GASLUGT

1. Gasventilen er åben.
2. Gasslangen lækker (Tjek med sæbevand)
3. Gasslangen er bukket, beskadiget eller ikke placeret korrekt.

GRILLEN VIL IKKE VARME OP

1. Gasventilen er ikke åben.
2. Ovnknappen er ikke åbnet korrekt.
3. Brænderen er blæst ud.

FOR MEGEN RØG

1. Rester af olie og fedt brænder af (olie og fedt skal renses af efter grilning)

GRILNING MED LÅGET NEDE

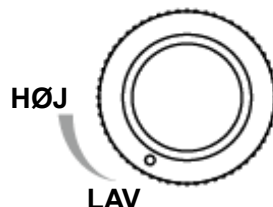
VIGTIGT:

Sæt aldrig alle brændere til positionen "HØJ" når man griller med låget nede.

Forvarmning: Betjen grillen med låget lukket og alle brændere på maks. i 10-15 minutter.

Grilning: Grilning: skru helt ned for brænderne. Brænderne kan indstilles til den ønskede grilltemperatur, overskrid IKKE 250C
BEMÆRK: Temperaturer over 250C i længere tid kan skade grillen

SLUKKET



PASNING OG VEDLIGEHOLDE LSE

Som ved alle apparater, omhyggelig pleje og vedligeholdelse vil bevare grillen i topform og forlænge dens levetid. Din nye gasgrill er ingen undtagelse. Ved at følge disse rengøringsprocedurer regelmæssigt, vil din grill altid være ren, og kan anvendes med et minimum af forberedelse.

FLAMMETILBAGESLAG

Edderkopper og mindre insekter kan af og til afsætte spindelvæv, eller lave reder i brænderrør i forbindelse med oplagring og transport. Dette spindelvæv kan blokere gasflowet, hvilket kan resultere i en mindre brand omkring brænderrørerne. Det anbefales, at rengøre med en børste inden hver brug, og mindst en gang for hver seks måneder. Denne type brand kaldes "FLAMMETILBAGESLAG", og kan forårsage alvorlige skader på din grill og skabe farlige situationer for brugeren. Tilstopning af brænderrør er ikke det eneste der kan forårsage "FLAMMETILBAGESLAG", men det er den mest almindelige årsag, og hyppig kontrol og rengøring af brænderrør er nødvendig. Hvis der opstår en brand i og omkring brænderen, sluk øjeblikkeligt for gasflasken og drej brænderregulatorerne til slukket position. Vent indtil grillen er kølet af, og rens herefter brænderrør og -porte.

RENGØRING AF FEDTBAKKEN

For at undgå at der drypper fedt fra grillen, fjern og tøm fedtbakken efter hver brug. Man kan hælde lidt vand i fedtbakken inden brug, det gør det nemmere at rense den. Vent indtil fedtbakken er kold, inden du tømmer den. Fedtbakken bør rengøres regelmæssigt med varmt vand med et mildt rengøringsmiddel.

PASNING AF GRILLOVERFLADER

Din grill er forsynet med en emaljegrill og -plade. Korrekt brug og pasning af grilloverfladerne er vigtig for at sikre problemfri grilning.

Rengør omhyggeligt når grilloverfladerne er kølet af. Efterlad ikke madrester på grilloverfladen, når grillen ikke bruges.

SERVICE

Hvis ikke apparatet kan justeres ind, så det virker korrekt, bør det ikke anvendes, før det er blevet serviceret.

VEDLIGEHOELSE

RENGØRING AF BRÆNDERRØR OG -PORTE

For at reducere muligheden for "FLAMMETILBAGESLAG" skal du rengøre brænderrøerne på følgende måde en gang om måneden om sommeren og efteråret, eller på den årstid hvor edderkopper er aktive i dit område, og hvis ikke din grill har været brugt i en længere periode.

1. Drej alle brændere til en helt lukket position.
2. Luk for gassen på gasflasken.
3. Frakobl gasregulatorenheden fra din grill.
4. Fjern grillpladerne fra grillen
5. Fjern splitterne fra hver af brændernes bagside med en spidstang.
6. Løft forsigtigt hver brænder op og væk fra gasventilåbningerne.
7. Kontroller og rengør brænder / venturirør for insekter og spindelvæv. Et tilstoppet rør kan medføre brand under grillen.
8. Se diagram 1, og brug en af disse tre rengøringsmetoder:

METODE 1 Bøj et stift stykke ståltråd eller en metaltrådsbøjle til en lille krog som vist, før krogen igennem brænderrøret og ind i brænderen flere gange for at fjerne fremmedlegemer.



METODE 2 Brug en flasketræner med et fleksibelt skaft og skub børsten igennem brænderrøret og ind i brænderen flere gange for at fjerne fremmedlegemer.

METODE 3 Brug en trykluftslange til at blæse luft igennem hver brænderrør. Tryklufften blæser fremmedlegemerne eller tilstopningen igennem brænderen og ud igennem portene.

Uanset hvilken rensemetode du anvender, anbefaler vi, at du også gennemfører følgende trin for at forlænge brænderens levetid.

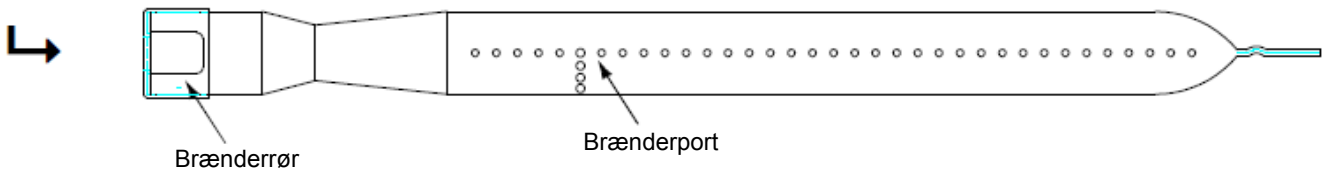
1. Brug en fibersvamp eller nylonbørste til at rengør hver brænders ydre overflade, så de er fri for madrester og snavs.
2. Rengør hver tillukket port med en stiv ståltråd, så som en udfoldet papirklips.
3. Inspicer hver brænder for skader (*revner eller huller*), og hvis der findes en beskadiget brænder, bestil og monter en ny brænder. Kontroller efter installation at gasventilåbningen er korrekt placeret inde i enden af brænderrøret. Kontroller også placeringen af gnistelektroden.



FOR SIKKER BRUG AF GRILLEN, KONTROLLER AT GASVENTILÅBNINGEN ER INDE I BRÆNDERRØRET, INDE DU BRUGER GRILLEN. HVIS ÅBNINGEN IKKE ER INDE I BRÆNDERRØRET, KAN DET FORÅRSAGE EN EKSPLOSION OG / ELLER RESULTERE I ALVORLIGE PERSONSKADER OG / ELLER MATERIEL SKADE.

Diagram 1

Før krogen ind som vist, for at rengøre brænderrør.





SE ALLTID ETTER GASSLEKKASJER HVER GANG DU BRUKER GRILLEN.

Du bør følge denne prosedyren hver gang etter følgende:

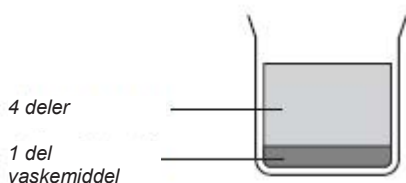
- Når du ikke har brukt grillen over lengre tid,
- Første montering av grillen,
- Enhver frakobling og gjeninnkobling av slangemonteringen.
- Endring av gassylindere,
- Når du kobler til gassylindere på nytt etter at den er blitt frakoblet og satt vekk.

SE ETTER GASSLEKKASJER

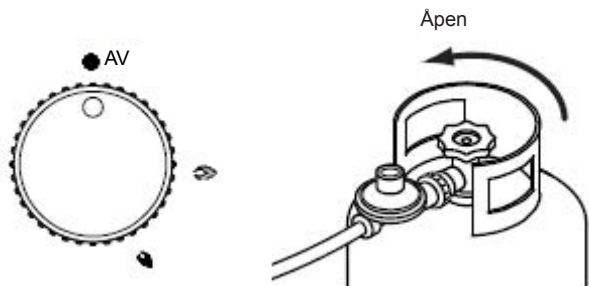


SE ALDRI ETTER LAKKASJER MED EN FLAMME.

1. Lag et flytende vaskemiddel ved å blande én (1) del flytende vaskemiddel og fire (4) deler vann.

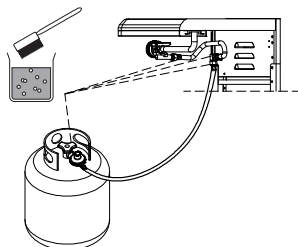


2. Sett kontrollbryterne til brennene til ÖAVÖ, og slå på gass ved kilden.



**HVIS DU HAR EN GASSLEKKASJE DU
IKKE KAN FIKSE, SLÅ AV GASSEN
VED KILDEN. TA KONTAKT MED
SERVICEAGENTEN**

3. Påfør det flytende vaskemiddelet på alle synlige og tilgjengelige gasskoblinger, inkludert tilkoblingen til gassflasken. Bobler vil vises i det flytende vaskemiddel hvis tilkoblingene ikke er forseglet skikkelig. Stram eller utbedre etter behov.



SE ETTER GASSLEKKASJER

Denne grillen er godkjent for bruk med naturgass, men må være riktig konvertert fra fabrikkbygget LP. Ta kontakt med serviceagenten din for informasjon. Konvertering og installasjon må gjøres av en lisensiert rørlegger eller gassmontør og i samsvar med lokale forskrifter

SØRG FOR AT BRENNERKONTROLLENE ER AV

VIKTIG: Før du kobler grillen fra og til gasskilden, må du sikre platetoppkontrollene er i "AV"-posisjon.

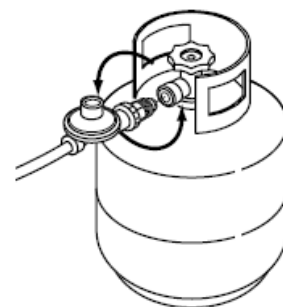
MERK: "AV"-posisjon på kontrollpanelet identifiseres med enten en liten svart prikk/en kort vertikal svart linje / eller ordet "AV".

FORSIKTIG: Når produktet ikke brukes, må gassen slås av ved gassylindere.

Gjør deg kjent med de generelle opplysningene og sikkerhetsretningslinjene på forsiden av denne boken. Kontroller at gassflaske er fylt, og at enden av hvert brennerør er riktig plassert over hver ventilåpning. Sett brennerkontrollene til "AV"-posisjonen.

KOBLE TIL OG FRA GASSKILDE KOBLE TIL GASSKILDE

1. Finn gassylindere i kabinetet og fest den.
2. Fets regulatoren og slangemonteringen til utløpet av sylinderventilen. Stram til skikkelig.
3. Åpne gassylinderventilen fullstendig slik at gassen kan strømme fritt.
4. Utfør grundig lekkasjetest på alle tilgjengelige tilkoblinger ved hjelp av en såpevann før du tenner grillen.
5. Hvis du finner en lekkasje, må du slå av gassylinderventilen og på nytt kontrollere at alle tilkoblinger er strammet til. Hvis det fortsatt er lekkasje, må du ikke bruke grillen før den repareres eller erstattes.



KOBLE FRA GASSKILDE

1. Slå brennerkontrollene "AV".
2. Slå gassylindere helt av.
3. Løsne regulatormonteringen fra gassylindereventilen.

NÅ ER GRILLEN KLAR TIL BRUK

Før første gangs bruk og ved begynnelse av hver grillsesong:

1. Les instruksjonene *Sikkerhet, Tenning og Bruk* forsiktig.
2. Kontroller gassventildysene, brennerørene og brenneråpningene for hindringer. f.eks. edderkopper, spindellev, insekter.
3. Kontroller at gassylindere er full.
4. Sørg for at alle tilkoblinger er strammet til skikkelig. Se etter gasslekkasjer.

SJEKKLISTE FOR MONTERING

1. En sikkerhetsavstand på minst 1 m fra brennbare konstruksjoner til sidene og baksiden av denne grillen.
2. Det er ingen ubeskyttet brennbar konstruksjon over grillen.
3. All intern emballasje er fjernet.
4. Brennere sitter ordentlig på åpningene.
5. Bryterne dreies fritt.
6. Enheten er testet og fri for lekkasjer.
7. Brukeren er informert om plasseringen av avstengningsventilen for gassforsyningen.

INSTRUKSJONER OM GRILLTENNING

- **ADVARSEL: VIKTIG!**
- **FØR TENNING**

Inspiserer gasslangen før du slår gassen "PÅ". Hvis det er tegn til kutt eller slitasje, må den byttes ut før bruk. Den nye slangen skal være som spesifisert av produsenten.

VELDIG VIKTIG: INSPISER ALLTID SLANGEN FØR DU BRUKER DENNE GRILLEN.

- **FOR Å TENNE HOVEDBRENNERNE TIL GRILLEN:**

1. Les instruksjonene før tenning.
2. Drei alle bryterne til "O" og åpne tankventilen. Hold ansiktet og kroppen så langt vekk fra grillen som mulig når du tenner.
3. Åpne lokket under tenning.
4. Trykk og drei kontrollbryterne sakte til "MAKS"-posisjonen. Elektroden vil avgi gnistrer samtidig for å tenne brenneren i rekkefølge. Gjenta den samme operasjonen når du tenner hver brenner. Vri kontrollbryteren til "O"-posisjonen UMIDDELBART hvis brenneren ikke tennes ikke innen fem sekunder, vent fem minutter til gassen forsvinner og gjenta tenningsprosedyren
5. Følg instruksjonene for fyrstikktenningen hvis brenneren ikke kan tennes etter gjentatte 3-4 ganger.

- **FOR Å TENNE HOVEDBRENNERNE MED FYRSTIKK :**

Hvis brenneren ikke tennes etter flere forsøk, kan brenneren tennes med fyrstikk. Bruk:

1. Les instruksjonene før tenning.
2. Åpne lokket under tenning.
3. Plasser ganske enkelt en fyrstikk mellom spolen på enden av lisstangen, tenne fyrstikken og sett den inn i hullet i brennkammeret for å tenne.
4. Trykk og drei bryteren til "MAKS"-posisjonen og sørg for at brenneren tennes og forblir tent.
5. Gjenta 3-4 ganger for å tenne andre brennere.

Hold en sprayflaske med såpevann i nærheten av gasskranen og kontroller koblingene før du bruker dem.

Tenn ikke grillen hvis du kjenner lukten av gass

- **FLAMMEGENSKAPER**

Kontroller at riktige flammeegenskapene er til stede. Hver brenner er justert før de sendes. Det kan imidlertid være variasjoner i den lokale gasstilførselen kan kreve diskrete, nødvendige justeringer.

Brennerflammene bør være blå og stabil med gule tupper, overdreven støy, eller løft. Hvis noen av disse forholdene foreligger ring vår kundeservice. Hvis flammen er gul, indikerer dette utilstrekkelig luft Hvis flammen er støyete og har en tendens til å løfte seg fra brennere, indikerer dette at det er for mye luft
MERK: Små gule tupper er OK.

PLASSERING AV GRILLEN

1. Rengjør grillen.
2. Oppbevar grillen på et godt ventilert og tørt sted utendørs og utilgjengelig for barn når gasstanken er koblet til grillen.
3. Oppbevar grillen i på et tørt sted innendørs KUN etter at gasstanken er slått av og fjernet. Gasstanken må lagres utendørs, utilgjengelig for barn. ALDRI oppbevar tanken i en bygning, garasje eller et annet lukket område.
4. Sett på vinyldekselet som følger med denne grillen.

FEILFINNING

HVIS GRILLEN IKKE TENNES

1. Slå av gassen ved kilde og drei brennerkontrollbryterne til "AV". Vent minst (5) til gassen forsvinner, og prøv på nytt.
2. Hvis grillen fremdeles ikke tennes, sjekk gassforbindelsen og -koblingene.
3. Gjenta tenningsprosedyren. Hvis grillen fremdeles ikke fungerer, slå av gassen ved kilden, sett kontrollbryterne til "AV", og sjekk deretter følgende:

- **Hindringer i gassledningen**

Korrigerer: Fjern drivstoffledningen fra grillen. Ikke røyk! Åpne gassforsyningen i et sekund for å fjerne eventuelle hindringer fra drivstoffledningen. Stenge gasstilførselen ved kilden og koble drivstoffslangen til grillen.

- **Plugget dyse**

Korrigerer: Fjern brennerne fra grillen.

Løft hver brenner opp og vekk fra gassventildysene. Fjern åpningen fra gassventilen og fjern forsiktig eventuelle hindringer med en fin tråd. Monter deretter alle dyser, brennere, splittpinner og grillekomponenter.

Ved mistanke om en hindring i gassventiler eller manifold, kan du kontakte kjøps- eller produksjonsstedet.

GASSTRØMNINGEN VIRKER ABNORMAL

1. Kontroller at gassylindren ikke er tom.
2. Brennerhullene er skitne og tilstoppede.
3. Gassregulatoren fungerer ikke.

GASSLUKT

1. Gassventilen er åpen.
2. Gasslangen lekker (kontroller med såpevann)
3. Gasslangen er bøyd eller skadet eller ikke posisjonert riktig.

GRILLEN BLIR IKKE VARM

1. Gassventilen er ikke åpen.
2. Ovnbryter ikke åpnet riktig.
3. Ovnbrenner har slukket.

OVERDREVEN RØYK

1. Brenning av gjenværende oljer og fett (oljer og fett må vaskes vekk etter matlaging).

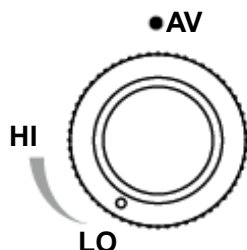
GRILLE MED GRILLTREKKEN NEDE**VIKTIG:**

Bruk aldri alle brennerne på "HI" når du griller med grilltrekket nede.

Forvarming: Brukte grillen med grilltrekket lukket med alle brennerne på høy intensitet i 10-15 minutter

Grilling: Drei brennerne til den lave innstillingen. Brennerne kan justeres til ønsket steketemperatur, IKKE overskrid 250 C

MERK: Dersom temperaturen overskrider 250 C over lengre tid, kan dette føre til skade på .



PLEIE OG VEDLIKEHOLD

I likhet med alle hvitevarer, vil riktig stell og vedlikehold holde dem i god stand og øke levetiden. Den nye gassgrillen din er intet unntak. Ved å følge disse rengjøringsprosedyrene i rett tid, vil grillen holdes ren og velfungerende med minimal anstrengelse.

OPPBLUSSING

Edderkopper og små insekter kan tidvis lage spindelvev eller reir i brennerrørene under lagring og transport. Disse spindelvevene kan hindre gasstrømmingen som kan føre til en brann i og rundt brennerrørene. Rengjøring med en myk børste før bruk og minst hvert halvår anbefales. Denne type brann er kjent som "OPPBLUSSING" og kan forårsake alvorlig skade på grillen og skape en usikker driftstilstand for brukeren. Selv om brennerrør med hindringer ikke er den eneste årsaken til "OPPBLUSSING", så er det den vanligste årsaken og det er derfor nødvendig med hyppig inspeksjon og rengjøring av brennerrørene. Hvis det oppstår brann i og rundt brenneren, slå du av gassen umiddelbart og setter brennerkontrollen til "AV", venter til grillen er avkjølt og renser deretter brennerrørene og brenneråpningene.

RENGJØRE FETTSKÅLEN

For å unngå at fett drypper fra grillen, må du fjerne og tømme dryppskålen etter hver bruk. En liten mengde vann kan plasseres i dryppskålen før bruk for å gjøre fettfjerningen lettere. Vent til dryppskålen føles avkjølt når du tar på den før du kaster innholdet. Dryppskålen bør vaskes med jevne mellomrom med et mildt rengjøringsmiddel og varmt vann.

PLEIE AV GRILLFLATEN

Grillen din er utstyrt med en emaljegrill og -plate. Riktig bruk og vedlikehold av grillflaten er viktig for å sikre problemfri grilling.

Rengjør grundig mens grillflaten avkjøles.

Ikke legg mat på grillflaten når den ikke er i bruk.

REPARASJON

Hvis apparatet ikke kan justeres slik fungerer ordentlig bør det ikke brukes før det repareres.

VEDLIKEHOLD

**RENGJØRE BRENNERRØRENE OG
BRENNERÅPNINGENE**

For å redusere sjansen for OPPBLUSSING, må du rengjøre brennerrørene som beskrevet nedenfor minst en gang i måneden om sommeren og høsten, eller når edderkoppene er aktive i området, og hvis grillen ikke har vært brukt i en lengre periode.

1. Sett alle brennerventilene til "AV"-posisjonen.
2. Sett LP-gassylinderen til "OFF"-posisjon.
3. Løsne LP-gassregulatoren fra gassgrillen.
4. Fjern grillplatene fra grillen.
5. Fjern splittpinnen fra baksiden av hver brenner med en nesetang.
6. Løft hver brenner opp og vekk fra gassventildysene.
7. Kontroller og rengjør brenner-/venturirørene for insekter og insektreir. Et tilstoppet rør kan føre til brann under grillen.
8. Se diagram 1 og utfør én av disse rengjøringsmetodene:

METODE 1: Bøye en stiv tråd eller kleshenger i en liten krok, som vist på bildet, og før kroken gjennom brennerrøret og inn i brenneren flere ganger for å fjerne smuss.



METODE 2: Bruke en flaskebørste med et fleksibelt håndtak og før børsten gjennom brennerrøret og inn i brenneren flere ganger for å fjerne eventuelle rester.

METODE 3: Bruk en luftslange for å tvinge luften gjennom hvert brennerrør. Luften som skal tvinges gjennom rørene skal passere rusk eller hindringer gjennom brenneren og ut åpningene.

Uavhengig av hvilken rengjøringsprosedyre du bruker, anbefaler vi at du også fullføre følgende trinn for å øke levetiden til brenneren.

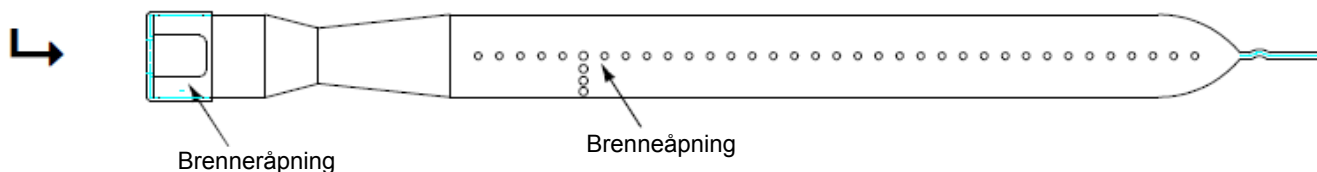
1. Bruk en fiberpute eller nylonbørste til å rense hele den ytre overflaten av hver brenner til de er fri for matrester og skitt.
2. Rengjør tilstoppede åpninger med en stiv tråd, for eksempel en åpen binders.
3. Inspiser hver brenner for skade (sprekker eller hull) og hvis slike skader blir funnet, bestill og monter en ny brenner. Etter montering, sjekk for å sikre at gassventildysene er riktig plassert inne i endene av brennerrørene. Sjekk også plasseringen av tennelektroden .



**FOR SIKKER BRUK, SØRG FOR AT
ÅPNINGEN TIL GASSVENTILMONTERINGEN
ER INNE I BRENNERRØRET FØR DU
BRUKER GRILLEN.
HVIS ÅPNINGEN IKKE ER I BRENNERRØRET,
KAN DET OPPSTÅ EN EKSPLOSJON
OG/ELLER BRANN SOM FØRER TIL
ALVORLIG KROPPSSKADE OG/ELLER
MATERIELLE SKADER.**

Diagram 1

For å rengjøre brennerrøret, sett inn kroken angitt av pilen.



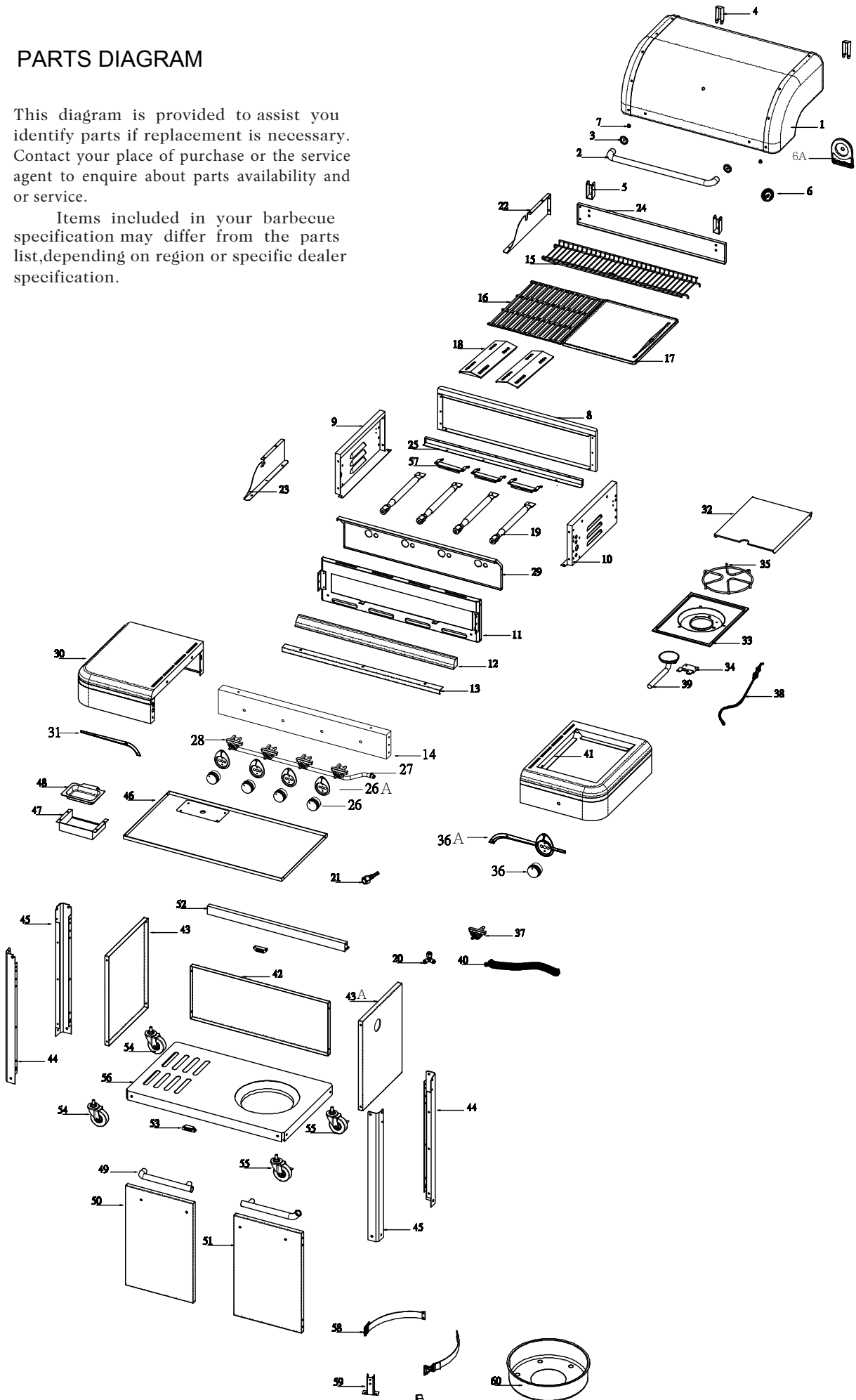
PARTS LIST

KEY	DESCRIPTION	PART#	QTY
1	Lid Assembly	P0015411F8	1
2	Lid Handle	P00203026M	1
3	Lid Handle Cover	P068010404	2
4	Lid Hinge UP	P03320011D	2
5	Lid Hinge Down	P03320012D	2
6	Temperature Gauge	P00601484B	1
6A	Name plate	P00409007G	1
7	Lid Rubber Pad	P05518002I	2
8	Bowl Panel, Rear	P0076027UA	1
9	Bowl Panel, Left	P0076130UA	1
10	Bowl Panel, Rightl	P0075820UA	1
11	Bowl Front Panel	P06923007A	1
12	Upper control Panel	P0290856JD	1
13	Decoration bracket- front panel	P0290856ES	1
14	Control Panel	S0167-96	1
15	Warming Rack	P01506008H	1
16	Cooking Grid	P01615062E	2
17	Hotplate	P05701057E	1
18	Flame Tamer	P01705043K	2
19	Main Burner	P020030624	4
20	Adaptor	P03904001A	1
22	Fire box Upper panel:Left Panel	P00761318B	1
23	Fire box Upper panel:Right Panel	P00758218B	1
24	Fire box Upper panel:Rear Panel	P0073755AB	1
25	Burner Bracket	P0220923LE	1
26	Control knob - main burner	P03434033I	4
26A	Knob Seat	S0167-99	4
27	Manifold	P05005563K	1
28	Main Valve-30mbar	S0168-31A09	4
	Main Valve-50mbar	S0168-31A078	4
29	Heat Shield Panel-firbox	P0076311UA	1
30	Side Shelf, Left	P0167-97Z	1
31	Side Panel Trim Left	S0167-100	1
32	Side Shelf Lid	P0011515PM	1
33	Side burner Body	P02302017K	1
34	Side Burner Mounting Brakcet	P0221511IE	1
35	Side Shelf Pot Support	P00805010B	1
36	Control Knob - side burner	P03434033I	1
36A	Side Panel Trim Right	S0167-101	1
37	Side Burner Valve- 30mbar	S0167-63A09	1
	Side Burner Valve- 50mbar	S0167-63A078	1
38	Electrode- Side Burner	P02607064L	1
39	Side Burner	P02004047A	1
40	Hose	P03713035F	1
41	Side Shelf Burner-Right	P0167-98Z	1
42	Trolley Panel, Rear	P07702145Y	1
43	Trolley Panel, Left	P07604034Y	1
43A	Trolley Panel, Right	S0167-46A-W	1
44	Cart Leg, LF,RR	P07501020W	2
45	Cart Leg, RF,LR	P07501021W	2
46	Grease Tray-Big	P02717917B	1
47	Grease Tray Bracket	P02703075B	1
48	Grease Tray-Small	P05701057E	1
49	Door Handle	P00205119M	2
50	Door-L	P04305077Y	1
51	Door-R	P04306074Y	1
52	Cart Bracket, Front	P03301081Y	1
53	Magnet seat	P05523059M	2
54	3" Castor w/ o brake	P05112035A	2
55	3" Castor w/ brake	P05112034A	2
56	Trolley Bottom Panel	P010030713	1
57	Burner bracket	S0168-06	3
58	Gas cylinder holder strap	S0146-211	2
59	Tank holder	S0146-189	2
60	Tank Frame	S0188-61	1
	Hardware Pack	P060032005A	1

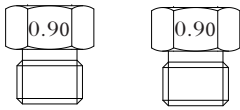
PARTS DIAGRAM

This diagram is provided to assist you identify parts if replacement is necessary. Contact your place of purchase or the service agent to enquire about parts availability and or service.

Items included in your barbecue specification may differ from the parts list, depending on region or specific dealer specification.



INJECTOR



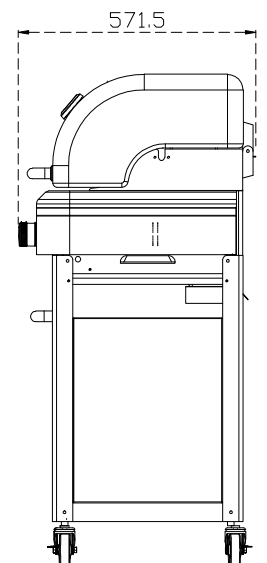
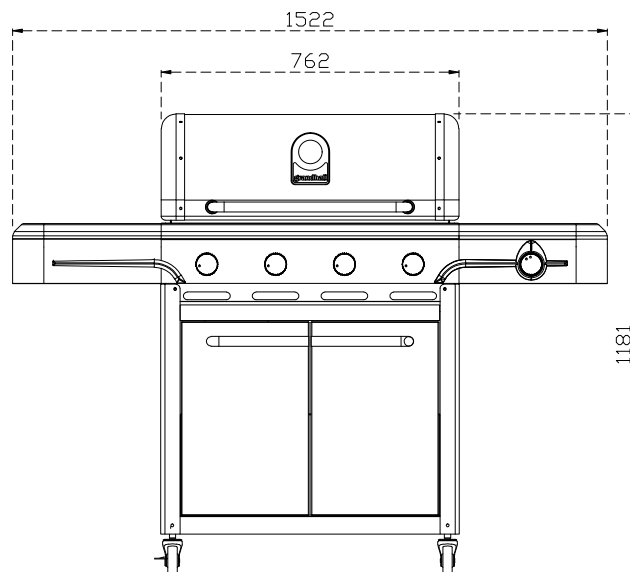
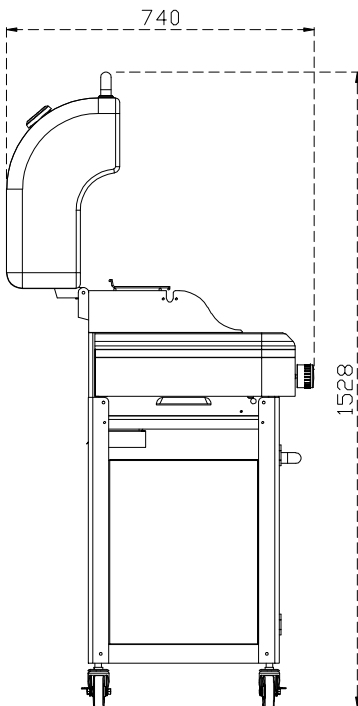
Main/Side

• Main	0.90 mm	- I 3+ (28-30/37)
		- I 3B/P (30)
	0.78 mm	- I 3B/P (50)
• Side	0.90 mm	- I 3+ (28-30/37)
		- I 3B/P (30)
	0.78 mm	- I 3B/P (50)

INPUT

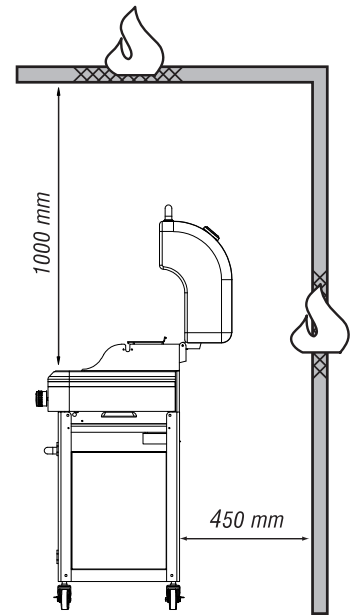
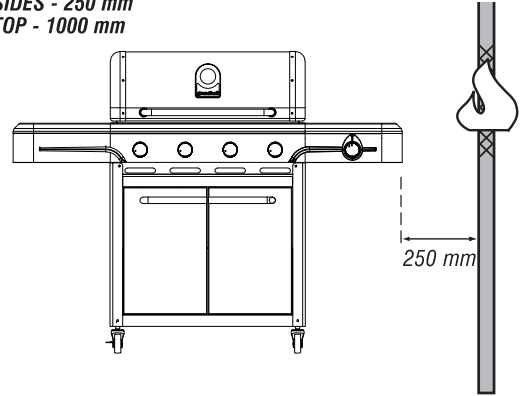
• Main	4 burner	13.2 kW	- 960 grams/h
• Side		3.4 kW	- 247 grams/h

DIMENSIONS



WARNINGS INFORMATION

- **MINIMUM CLEARANCES FROM COMBUSTIBLE MATERIALS MUST BE:**
REAR - 450 mm
SIDES - 250 mm
TOP - 1000 mm



ASSEMBLY

(GB) NOTES: Study the assembly diagram first then identify separate parts into groups.

Some assembly steps require two people.

1. Install Casters

Install two Casters without brake to the Trolley Seat on the left side of cart bottom. And install two Casters with brake to the Trolley Seat on the right side of the Trolley bottom .

(FR) REMARQUES : Étudiez le schéma de montage, puis identifiez les pièces séparées en plusieurs groupes.

Certaines étapes de montage nécessitent deux personnes.

1. Installation des roulettes

Installez deux roulettes sans frein sur l'assise de chariot à gauche du fond du chariot. Ensuite, installez deux roulettes avec frein sur l'assise de chariot à droite au fond du chariot.

(DE) ANMERKUNGEN: Kontrollieren Sie zuerst das Aufbauschema, und dann teilen Sie zunächst Einzelteile in Gruppen ein.

Für einige Montageschritte benötigen Sie zwei Personen.

1. Installieren der Rollen

Installieren Sie zwei Rollen ohne Bremse auf der linken Seite des Wagenbodens. Installieren Sie dann zwei Rollen mit Bremse auf der rechten Seite des Wagenbodens.

(IT) NOTE: Studiare lo schema di montaggio, quindi separare le parti in gruppi.

Alcune fasi di montaggio richiedono due persone.

1. Installazione delle ruote

Applicare le due ruote senza freno sul lato sinistro del fondo del carrello. Applicare le due ruote con il freno sul lato destro del fondo del carrello.

(NL) OPMERKINGEN: Bestudeer eerst het montageschema en verdeel de losse onderdelen vervolgens in groepen. Voor enkele van de montagestappen zijn twee mensen nodig.

1. Plaatsen van de zwenkwielen

Plaats twee zwenkwielen zonder rem aan het bevestigingspunt aan de linkerkant van de bodem van de kar. En plaats twee zwenkwielen met rem aan het bevestigingspunt aan de rechterkant van de bodem van de kar.

(SE) ANMÄRKNINGAR: Studera först monteringsdiagrammet och identifiera separata delar i grupper.

Vissa monteringssteg måste utföras av två personer.

1. Montera hjulen

Montera två hjul utan broms på hjulhållaren på vänstra sidan av vagnens undersida. Och montera två hjul med broms på hjulhållaren på högra sidan av vagnens undersida.

(FI) HUOMIOITA: Tutustu ensin kokoonpanokaavioon ja erottele osat ryhmiä.

Joissakin kokoonpanon vaiheissa tarvitaan kahta henkilöä.

1. Asenna kalustepyörät

Asenna kaksi jarrutonta kalustepyörää kärryn alustan vasemmalle puolelle. Asenna kaksi jarruilla varustettua kalustepyörää kärryn alustan oikealle puolelle.

(ES) NOTAS: En primer lugar estudie el esquema de montaje y luego identifique las piezas separadas en grupos.

Para algunos pasos del montaje se necesitan dos personas.

1. Instale las ruedecillas

Instale dos ruedecillas sin freno en el asiento de carrito del lado izquierdo del fondo del carro. E instale dos ruedecillas con freno en el asiento de carrito del lado derecho del fondo del carro.

(PT) NOTAS: Primeiro estude o diagrama de montagem para em seguida identificar partes separadas em grupos.

Alguns passos da montagem requerem duas pessoas.

1. Instalar Rodízios

Instale dois Rodízios sem travão no Banco do Carro do lado esquerdo da base do carrinho. E instale dois Rodízios com travão no Banco do Carro do lado direito da base do Carrinho.

(DK) BEMÆRKNINGER: Studer monteringsdiagrammet først, saml herefter de enkelte dele i grupper.

Nogle monteringsstrin kræver to personer.

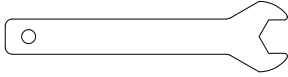
1. Monter møbelhjul

Monter to møbelhjul uden bremser på vognsædet på venstre side af vognbunden.

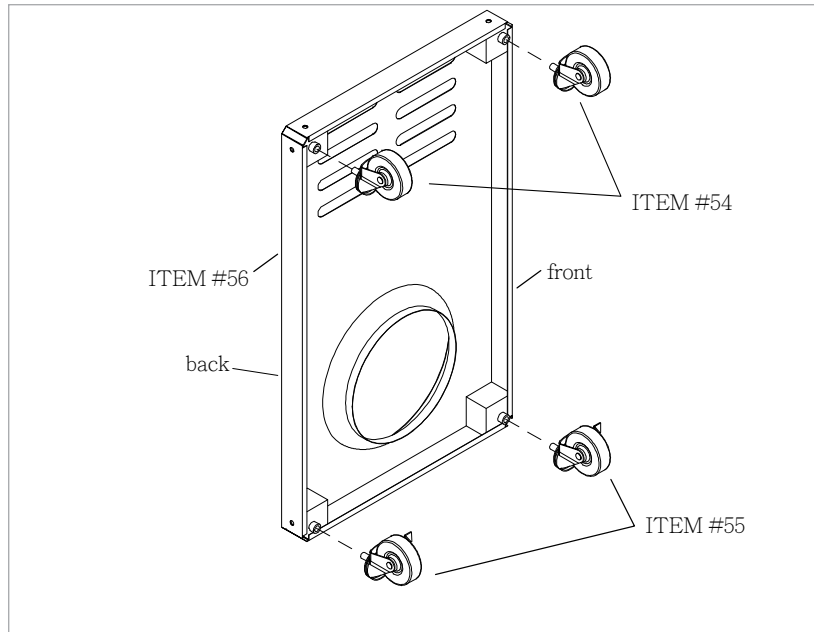
(NO) MERKNADER: Studere sammenstillingsskjema først og identifiser deretter separate deler inn i grupper. Noen monteringsstrinn krever to mennesker.

1. Monter trinser

Monter trinser uten bremse på trolleysetet på venstre side av vognbunnen. Monter også to trinser med bremse på trolleysetet på høyre side av trolleybunnen.



Wrench
Qty. 1



2. **(GB)** Install Cart legs.

(FR) Installez les pieds du chariot.

(DE) Wagenbeine installieren.

(IT) Installare le gambe del carrello.

(NL) Plaats de poten van de kar.

(SE) Montera vagnens ben.

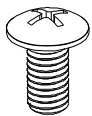
(FI) Asenna vaunun tukijalat.

(ES) Instale las patas del carro.

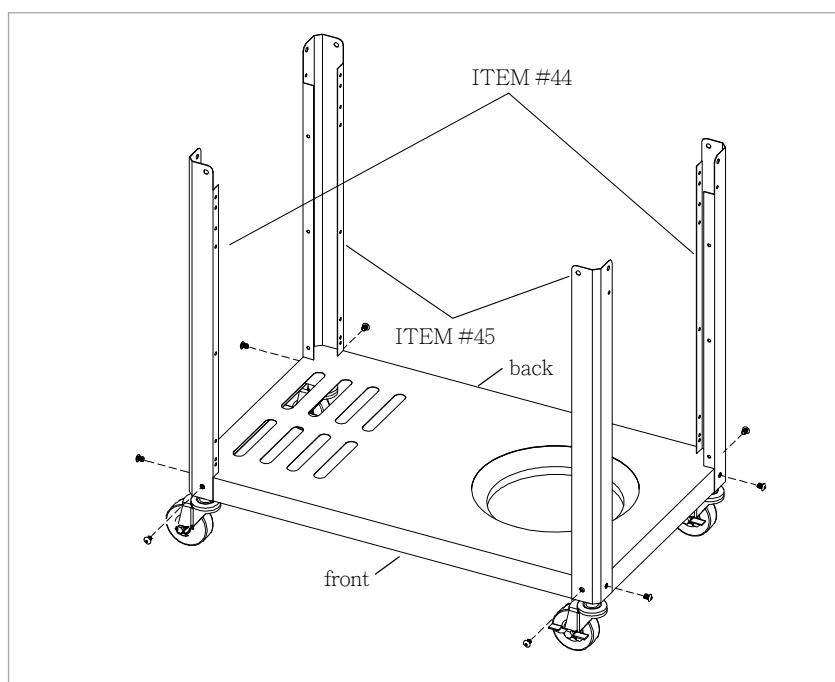
(PT) Instale pernas no Carrinho.

(DK) Monter vognens ben.

(NO) Monter vognben.



Phillips Head Screw
1/4" X 3/8"
Qty. 8



3. (GB) Install Trolley Doors and Door Handles.

(FI) Montera vagnens luckor och luckhandtagen.

(FR) Installez les portes du chariot et les poignées des portes.

(ES) Instale las puertas de carrito y los tiradores de puerta.

(DE) Wagentüren und -türgriffe installieren.

(PT) Instale Portas no Carrinho e Maçanetas.

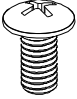
(IT) Installare gli sportelli del carrello e le maniglie delle porte.

(DK) Monter vogndøre og dørhåndtag.

(NL) Plaats de deuren van de kar en de deurgrepen.

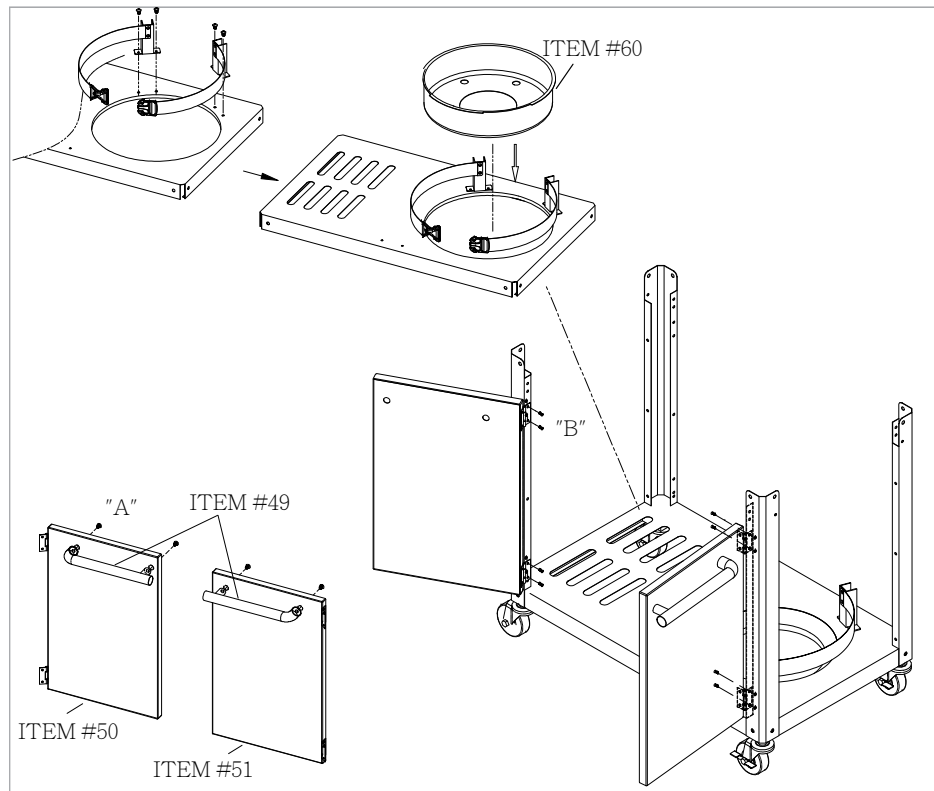
(NO) Monter trolleydører og dørhåndtak.

(SE) Montera vagnens luckor och luckhandtagen.


"A"
Phillips Head Screw
3/16" X 1/2"
Qty. 4


"B"
Phillips Head Screw
M3 X 10
Qty. 8


Flange Nut : M3
Qty.8



4. (GB) Install Trolley Side Panels.

(FI) Asenna vaunun sivupaneelit.

(FR) Installez les panneaux latéraux du chariot.

(ES) Instale los paneles laterales de carrito.

(DE) Wagenseitenteile installieren.

(PT) Instale Painéis Laterais no Carro.

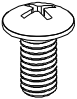
(IT) Installare i pannelli laterali del carrello.

(DK) Monter vognsiders paneler.

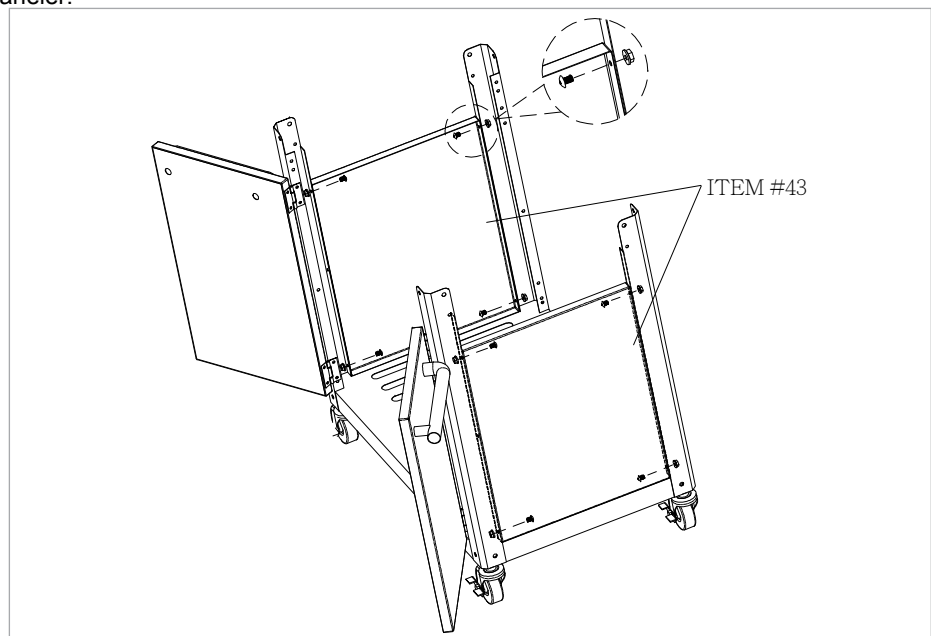
(NL) Plaats de zijpanelen van de kar.

(NO) Monter sidepaneler på trolley.

(SE) Montera vagnens sidopaneler.


Phillips Head Screw
3/16" X 3/8"
Qty. 8


Flange Nut : 3/16"
Qty.8



5. (GB) Install Trolley Rear Panel and Cart Bracket, Front.

(FR) Installez le panneau arrière du chariot et le support de chariot avant.

(DE) Installieren Sie die Wagenrückwand und die vordere Wagenhalterung.

(IT) Installare il pannello posteriore e la staffa del carrello, parte anteriore.

(NL) Plaats het achterpaneel en de verbindingsbalk aan de voorkant.

(SE) Montera vagnens bakpanel och främre vagnsfäste.

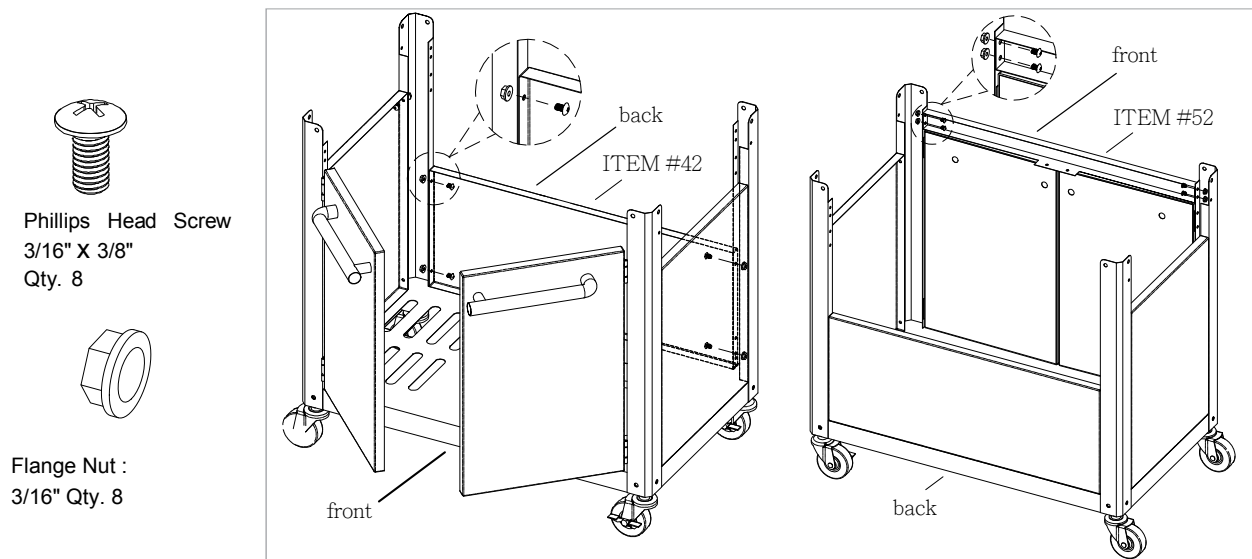
(FI) Asenna vaunun takapaneeli ja etukiinnike.

(ES) Instale el panel trasero de carrito y el soporte de carro, delantero.

(PT) Instale Painel Traseiro do Carro e Suporte de Carriño, Frente.

(DK) Monter vognens bagpanel og vognbeslag, front.

(NO) Monter bakpanel på trolley og vognbrakket, foran.



6. (GB) Install Separation Panel

Note: Do not fully tighten the 4 screws attaching the "Separation Panel (item #46)" to the trolley legs until the BBQ head has been installed.

(FR) Installez le panneau de séparation
Remarque : Ne serrez pas à fond les 4 vis fixant le "panneau de séparation (art. n° 46)" aux pieds du chariot tant que la tête du BBQ n'est pas installée.

(DE) Installieren Sie die Trennplatte.
Hinweis: Ziehen Sie die 4 Schrauben, welche die Trennplatte (Teil-Nr. 46) an den Wagenbeinen befestigen, nicht fest, bis der Grillaufbau installiert ist.

(IT) Installare il pannello di separazione
Nota: Non serrare completamente le 4 viti che fissano il "Pannello di separazione (parte # 46)" sulle gambe del carrello fino a quando non è stata installata la parte superiore del barbecue.

(NL) Plaats het scheidingspaneel
Let op: Draai de 4 schroeven die het "scheidingspaneel (item #46)" aan de poten van de kar bevestigen niet te strak aan tot de BBQ volledig gemonteerd is.

(SE) Montera delningspanelen
Notera: Dra inte åt de 4 skruvarna som fäster "delningspanelen (del #46)" på vagnens ben helt innan grillens huvud har monterats.

(FI) Asenna erotuspaneeli.
Huomaa: Kiristä neljä ruuvia, jotka kiinnittävät erotuspaneelin (osa 46) vaunun jalkoihin, lopullisesti vasta kun grillin yläosa on asennettu.

(ES) Instale el panel de separación.
Nota: No apriete totalmente los 4 tornillos que conectan el "Panel de separación (elemento #46)" a las patas de carrito hasta que se haya instalado el cabezal de barbacoa.

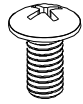
(PT) Instale o Painel de Separação
Nota: Não aperte completamente os 4 parafusos que prendem o "Painel de Separação (item #46)" às pernas do carro até a cabeça da BBQ ter sido instalada.

DK Monter separationspanel

Bemærk: Spænd ikke de 4 skruer, der fastgør "separationspanelet (del #46) til vognbenene, helt indtil grillen er helt samlet.

NO Monter separasjonspanel

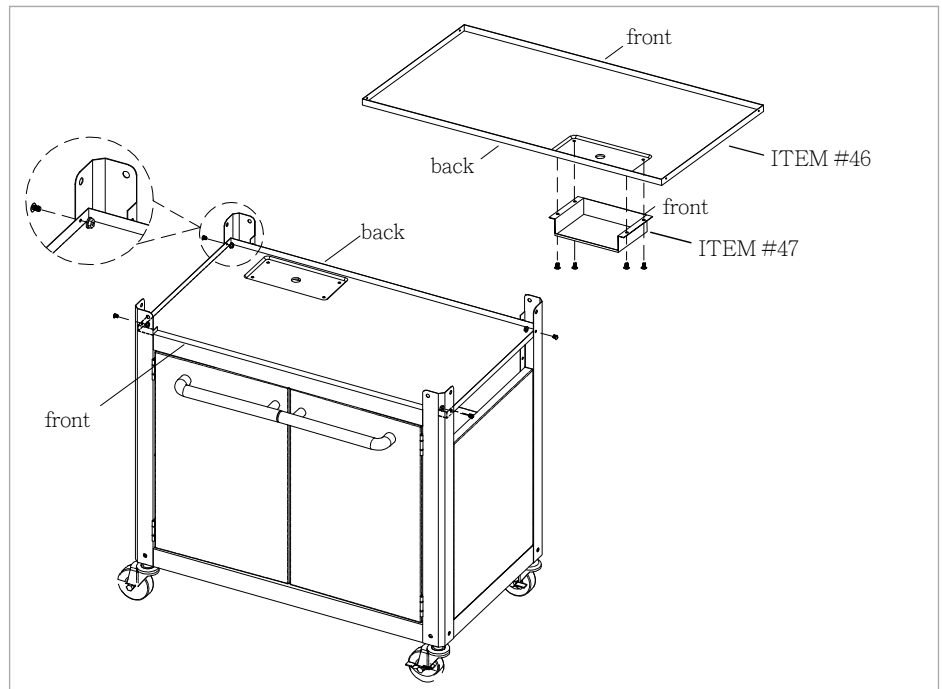
Merknad: Ikke stram til de fire skruene som fester "separasjonspanelet (post # 46)" til vognbena inntil grillhodet er montert.



Phillips Head Screw
3/16 "X 3/8"
Qty. 8



Flange Nut : 3/16"
Qty.4



7. **GB** Install Barbecue Head to Trolley.

Note: This step requires two people.

FR Installez la tête du barbecue sur le chariot.

Remarque : Cette étape nécessite deux personnes.

DE Installieren Sie den Grillaufbau auf dem Wagen.

Hinweis: Für diesen Schritt benötigen Sie zwei Personen.

IT Installare la parte superiore del barbecue sul carrello.

Nota: Questo passaggio richiede due persone.

NL Plaats de BBQ op de kar.

Let op: Voor deze handeling zijn twee mensen nodig.

SE nstallera grillens huvud på vagnen.

Notera: Detta måste utföras av två personer.

FI Asenna grillin yläosa vaunun päälle.

Huomaa: Tässä vaiheessa tarvitaan kahta henkilöä.

ES Instale el cabezal de barbacoa en el carrito.

Nota: Para este paso se necesitan dos personas.

PT Instale a Cabeça da Churrasqueira ao Carro.

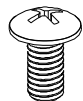
Nota: Este passo necessita de duas pessoas.

DK Monter grilloverdelen til vognen.

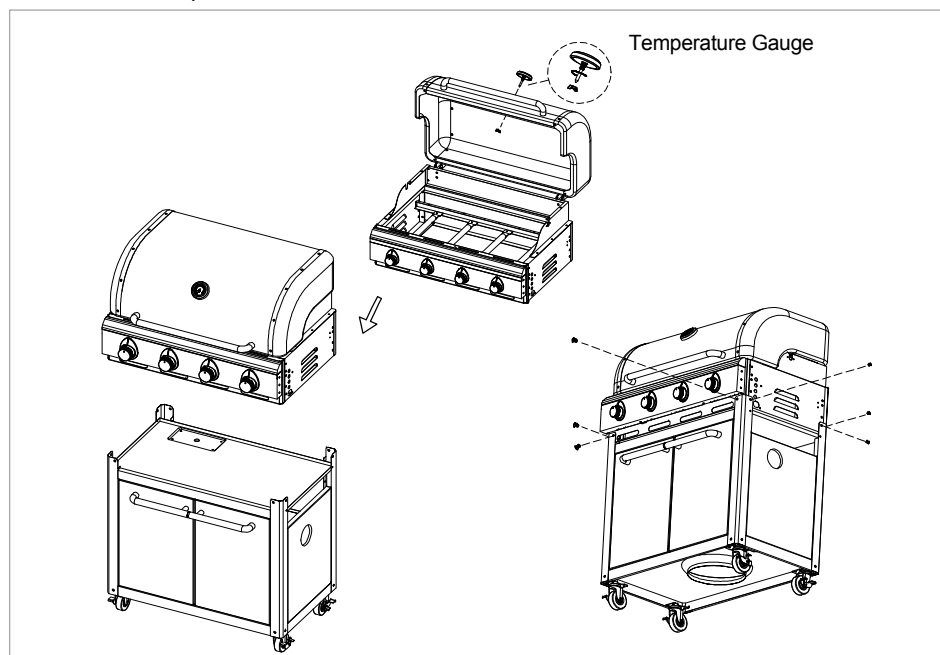
Bemærk: Dette trin kræver to personer.

NO Monter trolleyhodet på trallen.

Merknad: Dette trinnet krever to mennesker.



Phillips Head Screw
1/4" X 3/8"
Qty. 8



8. (GB) Install Side Shelf and side Burner.

(FR) Installez le plateau latéral et le brûleur latéral.

(DE) Installieren Sie die Seitenablage und den seitlichen Brenner.

(IT) Installare la mensola laterale il bruciatore laterale.

(NL) Plaats het zijpaneel en de zijbrander.

(SE) Montera sidohyllan och sidobrännaren.


(FI) Asenna sivuhylly ja sivupoltin.

(ES) Instale la balda lateral y el quemador lateral.

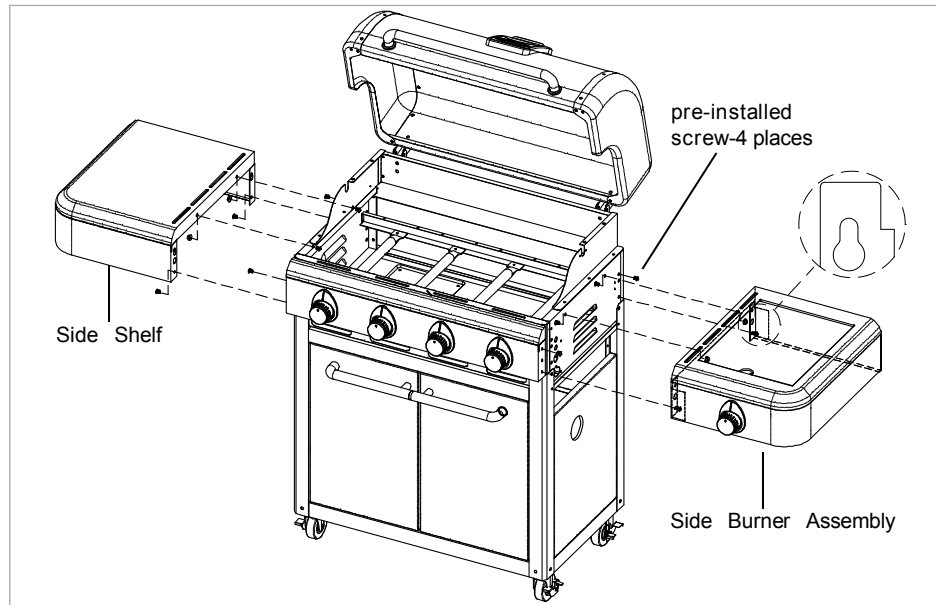
(PT) Instale a Prateleira Lateral e o Queimador lateral.

(DK) Monter sidehylde og sidebrænder.

(NO) Monter sidehyllen og sidebrenneren.


Phillips Head Screw
1/4"x1/2"
Qty. 1 2


Flange Nut : 1/4"
Qty.4



9. (GB) Install Grease Receptacle .

Decoration Trim: Hand tighten the nuts.

WARNING: Failure to install grease tray will cause hot grease to drip from bottom of grill with risk of fire or property damage.

(FR) Installez le récupérateur de graisse.

Decoration Trim, : Serrer bien les écrous à la main.

MISE EN GARDE : Si vous n'installez pas le récupérateur de graisse, de la graisse brûlante gouterà au fond du barbecue et risquera de causer un incendie ou des dommages matériels.

(DE) Fettbehälter installieren .

Decoration Trim: Ziehen Sie die Muttern mit einem Schraubendreher fest.

WARNING: Wenn die Fettschale nicht installiert wird, kann heißes Fett von der Unterseite des Grills tropfen und Feuer oder Sachschäden verursachen.

(IT) Installare la vaschetta del grasso.

Decoration Trim: Stringere i bulloni a mano.

AVVERTENZA: La mancata installazione del vassoio di grasso provoca il gocciolamento del grasso dal fondo della griglia con rischio di incendio o danni.

(NL) Plaats de opvangbak voor vet.

Decoration Trim: Draai de moeren met een schroevendraaier goed vast.

WAARSCHUWING : Wanneer u deze opvangbak niet plaatst, zal er heet vet van de bodem van de grill lekken waardoor er risico op ontbranden of schade aan eigendommen ontstaat.

(SE) Montera fettuppsamlaren.

Decoration Trim Dra åt muttrarna för hand.

WARNING: Om fettbrickan inte monteras droppar varmt fett från grillens undersida och innebär risk för brand eller egendomsskador.

(FI) Asenna rasva-astia.

Decoration Trim: Kiristä mutterit käsin.

VAROITUS: Jos rasva-astiaa ei asenneta, kuumaa rasvaa valuu grillin alaosasta ja se aiheuttaa tulipalon tai omaisuusvahingon vaaran.

(ES) Instale el recipiente de grasa.

Decoration Trim Fijar manualmente las roscas.

ADVERTENCIA : Si no se instala la bandeja de grasa, la grasa caliente goteará desde el fondo de la parrilla con el riesgo de tener un incendio o daños a la propiedad.

(PT) Instale o Receptáculo de Gordura .

Decoration Trim: Aperte as porcas à mão.

AVISO : A não instalação do tabuleiro de recolha de gordura provocará a queda da gordura quente para o fundo do grelhador com risco de incêndio ou danos materiais.

(DK) Monter fedtopsamleren.

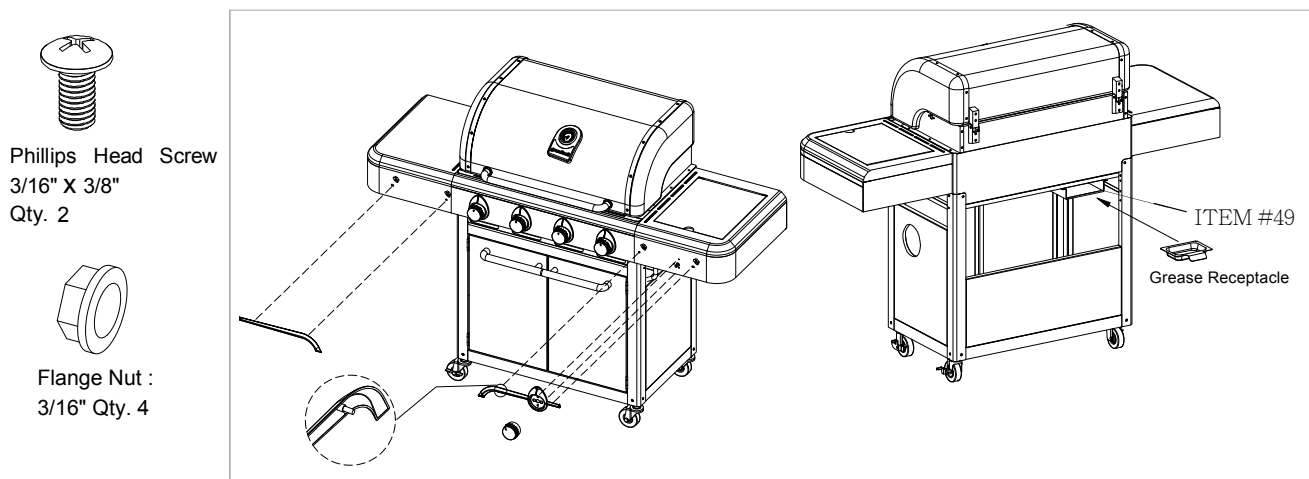
Decoration Trim: Spænd møtrikkerne med håndkraft.

ADVARSEL : Hvis ikke fedtbakken monteres, vil der dryppe varmt fedt fra bunden af grillen, som kan forårsage brand og materiel skade.

(NO) Monter fettbeholder.

Decoration Trim: Trekk til mutterne for hånd.

ADVARSEL : Unnlatelse av å montere fettskålen vil føre til at varmt fett drypper fra bunnen av grillen. Dette gir risiko for brann eller materielle skadder.



10. (GB) Hose connection

To prevent the risk of cross threading the connection finger tighten first. Then tighten securely with a spanner. Do not use thread sealant tapes or similar products on this connection. Leak check before operating the appliance, refer page 3.

(FR) Raccord du tuyau

Pour éviter le risque de faux filetage, vérifiez avant de serrer le raccord. Ensuite, serrez fermement avec une clé. N'utilisez pas de mastic pour raccords filetés ni de produits similaires sur ce raccord. Faites un essai de fuite avant d'utiliser l'appareil, voir page 7.

(DE) Schlauchanschluss

Um das Verkanten der Verbindung zu vermeiden, ziehen Sie die Verbindung zuerst mit den Fingern an. Ziehen Sie sie dann mit einem Schraubenschlüssel sicher fest. Verwenden Sie für diese Verbindung kein Gewindedichtband oder ähnliche Produkte. Überprüfen Sie das Gerät auf Lecks, bevor Sie es in Betrieb nehmen, siehe Seite 11.

(IT) Attacco del tubo

Per evitare il rischio di danneggiare il collegamento, stringere prima a mano. Poi serrare con una chiave. Non utilizzare nastri sigillanti o prodotti similari su questo collegamento. Controllare la presenza di perdite prima di utilizzare l'apparecchio, vedere pagina 15.

NL Aansluiting slang

Om te voorkomen dat de aansluiting scheef vastgedraaid wordt, draait u deze eerst handvast. Draai deze vervolgens vast met een moersleutel.

Gebruik geen afdichtingstape of gelijksoortige producten voor deze aansluiting.

Controleer op lekkage voor u het apparaat gebruikt, zie pagina 19.

SE Slanganslutning

Dra åt med fingerkraft först, för att förhindra risken för snedgångning. Dra sedan åt ordentligt med en nyckel.

Använd inte gängtätningstejp eller liknande produkter på denna anslutning.

Kontrollera att det inte finns några läckor. Se sida 23.

FI Letkuliitäntä

Jotta liitin ei mene väärille kierteille, kiristä se ensin sormin. Kiristä se sitten tiukkaan lenkkiavaimella.

Älä käytä tiivistenaуhoja tai muita vastaavia tuotteita tässä liitännässä.

Tee vuototarkistus ennen laitteen käyttöä, katso sivua 27.

ES Conexión de mangueras

Para evitar que las roscas se crucen, apriete primero a mano. Luego apriete firmemente con una llave plana.

En esta conexión no utilice cintas selladoras de rosca ni productos similares.

Antes de poner en funcionamiento el aparato compruebe si hay fugas, consulte la página 31.

PT Ligaçāo da mangueira

Para evitar o risco de instalaçāo transversal da ligaçāo à māo aperte primeiro. Em seguida, aperte firmemente com uma chave inglesa.

Nāo utilize fitas vendantes de rosca ou produtos semelhantes nesta ligaçāo.

Verifique se existem fugas antes de utilizar o dispositivo, consulte a página 35.

DK Slangtilslutning

For at undgå risiko for krydsning, skru tilslutningen først fast med fingrene Spænd godt efter med en skruenøgle.

Brug ikke pakningstape eller lignende i denne samling.

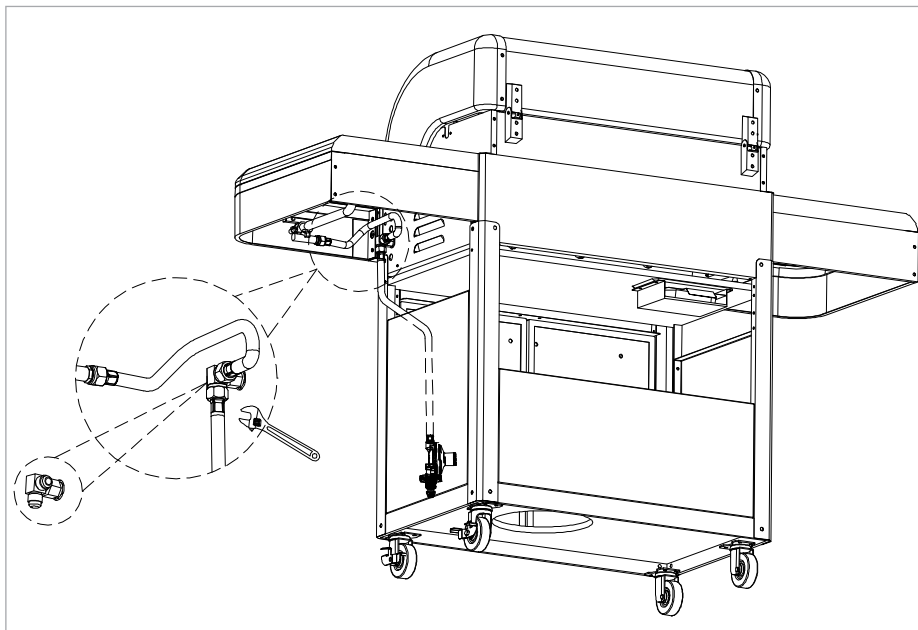
Kontroller for lækager inden ibrugtagning af apparatet, se side 39.

NO Slangekobling

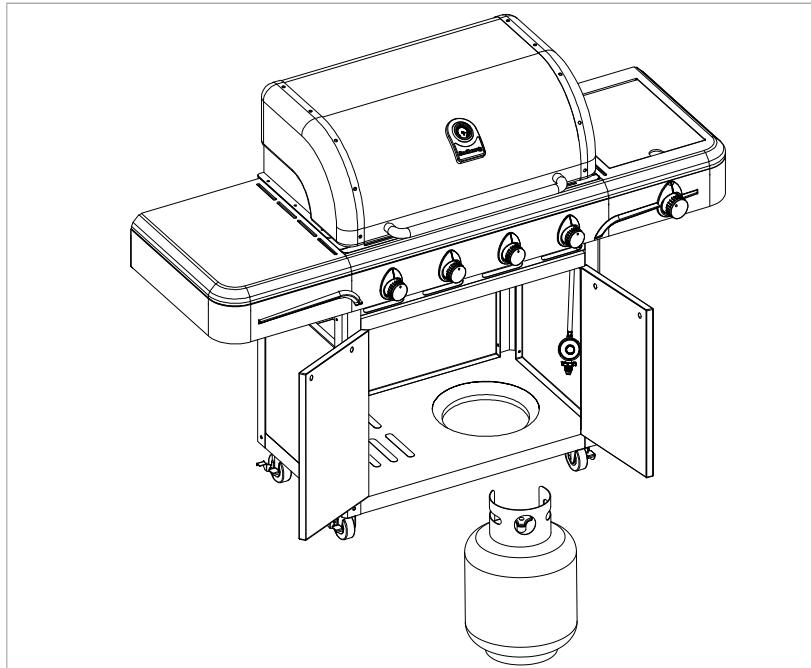
For å unngå risikoen for tverrgjenging, må du stramme til forbindelsen for hånd først. Stram til deretter skikkelig med en skiftenøkkel.

Ikke bruke tetningsteip eller lignende produkter på denne tilkoblingen.

Utfør en lekasjesjekk før du bruker produktet, se side 43.



11. **(GB)** Install Gas Cylinder.
Note: Do not operate the barbecue before leak checking the gas connections.
- (FR)** Installez la bouteille de gaz.
Remarque : N'utilisez pas le barbecue avant d'avoir fait un essai de fuite sur les raccords de gaz.
- (DE)** Gasflasche installieren.
Hinweis: Verwenden Sie den Grill nicht, bevor die Gasanschlüsse auf Lecks überprüft wurden.
- (IT)** Installare la bombola del gas.
Nota: Non utilizzare il barbecue prima di controllare la presenza di perdite sulle connessioni del gas.
- (NL)** Plaats de gasfles.
Let op: Gebruik de barbecue niet voordat u de gasaansluitingen op lekken hebt gecontroleerd.
- (SE)** Montera gasbehållaren.
Notera: Använd inte grillen innan du kontrollerat att det inte finns några läckor i gasanslutningarna.
- (FI)** Asenna kaasusäiliö.
Huomaa: Älä käytä grilliä, ennen kuin kaasuliitännät on tarkistettu vuotojen varalta.
- (ES)** Instale la bombona de gas.
Nota: No ponga a funcionar la barbacoa antes de comprobar las fugas en las conexiones de gas.
- (PT)** Instalar a Botija do Gás.
Nota: Não utilize a churrasqueira antes de verificar as fugas de gás nas ligações.
- (DK)** Montering af gasflaske.
Bemærk: Benyt ikke grillen før der er tjekket for gaslækager ved samlingerne.
- (NO)** Monter gassylinder
Merk: Bruk ikke grillen før du har utført lekkasjetest av gassforbindelsene.



12. **(GB)** Install Cooking Components.
Note: The cooking grids must be located over the flame tamers.
The cooking grids must be located over the flame tamers.

WARNING



1. Do not cover entire cooking surface with solid plates, as this will result in poor cooking performance, or the burners may go out, creating a hazardous situation
2. You will violate the gas approval and your warranty will be voided.
The grill provides the ventilation needed for the barbecue to operate safely.
3. Cylinder valve must face to right front of trolley once tank is attached.
Failure to install cylinder correctly may allow gas hose to be damaged in operation, resulting in the risk of fire.

(FR) Installez les éléments de cuisson

Remarque: Les grilles de cuisson doivent être situées au-dessus des réducteurs de flammes.
Les grilles de cuisson doivent être situées au-dessus des réducteurs de flammes.

MISE EN GARDE



1. No not cover entire cooking surface with solid plates, as this will result in poor cooking performance, or the burners may go out, creating a hazardous situation .
2. Vous violeriez l'approbation de gaz et votre garantie serait caduque.
le barbecue fournit la ventilation nécessaire pour qu'il fonctionne en toute sécurité.
3. La vanne de la bouteille doit être face au côté avant droit du chariot une fois que le réservoir est fixé.
Si la bouteille est mal installée, le tuyau de gaz pourrait être endommagé pendant utilisation, entraînant un risque d'incendie.

(DE) Installieren Sie die Grillkomponenten.

Hinweis: Die Grillgitter müssen sich über den Flammenverteiltern befinden.
Die Grillgitter müssen sich über den Flammenverteiltern befinden.

WARNING



1. Decken sie nicht die gesamte grillfläche mit massiven platten ab.
Das führt zu leistungseinbußen beim grillen oder die brenner verlöschen.
Das kann zu einer gefahrensituation werden.
2. Sie zerstören damit die Gaszulassung und Ihre Garantie erlischt.
Der Grill sorgt für die Lüftung, die für den sicheren Betrieb des Grills erforderlich ist.
3. Das Gasflaschenventil muss nach rechts vorne zum Wagen zeigen, sobald die Flasche angeschlossen ist.
Wenn die Gasflasche nicht korrekt installiert wurde, kann der Gasschlauch während des Betriebs beschädigt werden, was zu einem Brand führen kann.

(IT) Installare i componenti per la cottura.

Nota: Le griglie di cottura devono essere posizionate sopra i riduttori di fiamma.
Le griglie di cottura devono essere posizionate sopra i riduttori di fiamma.

WARNING



1. Non coprire l'intera superficie di cottura con le piastre, si provocherebbe un calo delle prestazioni di cottura, o lo spegnimento dei bruciatori, con conseguente situazione di pericolo.
2. Violazione del collaudo gas e annullamento della garanzia.
La griglia fornisce la ventilazione necessaria per l'utilizzo sicuro del barbecue.
3. La vanne de la bouteille doit être face au côté avant droit du chariot une fois que le réservoir est fixé. Si la bouteille est mal installée, le tuyau de gaz pourrait être endommagé pendant utilisation, entraînant un risque d'incendie.

(NL) Plaats de kookonderdelen.

Let op: De roosters moeten boven de vlamdempers geplaatst worden.

WAARSCHUWING



1. Bedek niet het gehele kookoppervlak met dichte platen, omdat dit slechte kookprestaties zal geven, of de branders kunnen uit gaan, waardoor een gevaarlijke situatie kan ontstaan.
2. Als u de bepalingen van het gaskeurmerk overtreedt komt de garantie te vervallen.
De grill geeft de benodigde ventilatie zodat de barbecue veilig gebruikt kan worden.
3. Cilinderkraan moet recht naar de voorkant van de kar gericht zijn wanneer de gasfles geplaatst is.
Het niet correct plaatsen van de gasfles kan de oorzaak zijn van het beschadigen van de gas slang tijdens het gebruik waardoor brand kan ontstaan.

(SE) Montera grillkomponenterna.

Notera: Grillgallren måste monteras ovanför flamdämparna. Grillgallren måste monteras ovanför flamdämparna.

WAARSCHUWING




1. Täck inte över hela grillytan med solida brickor, då det leder till dåligt grillresultat.
brännarna kan också slockna, och skapa en farlig situation.
2. Detta bryter mot gasbestämmelserna och din garanti upphör att gälla.
Grillen har den ventilation som behövs för säker användning.
3. Behållarens ventil måste vara riktad mot vagnens högra framsida när behållaren är installerad.
Om behållaren inte monteras korrekt kan gaslangan skadas vid användningen, vilket innebär risk för brand.

FI Asenna kypsennysosat.

Huomaa: Kypsennysritilät pitää asentaa liekinvaimenninten päälle. Kypsennysritilät pitää asentaa liekinvaimenninten päälle.

VAROITUS




1. Älä peitä koko pintaa yhtenäisillä levyillä, sillä tämä heikentää kypsennyskykyä ja polttimet voivat sammua, mistä seuraa vaaratilanne.
2. Tällöin kaasulaitteen hyväksyntä kumoutuu ja takuu ei ole voimassa. Ritilä varmistaa riittävän ilmanvaihdon, jotta grilli voi toimia turvallisesti.
3. Kun säiliö on kiinnitetty, sen venttiilin pitää osoittaa vaunun oikeaan etuosaan. Jos säiliötä ei asenneta oikein, kaasuletku saattaa vaurioitua käytön aikana, mistä voi seurata tulipalon vaara.

ES Instale los componentes de cocción.

Nota: Las rejillas de cocción deben colocarse sobre los difusores de calor de llama.

Las rejillas de cocción deben colocarse sobre los difusores de calor de llama.

AVISO




1. No cubra toda la superficie de cocción con planchas sólidas, ya que esto tendría como resultado malas prestaciones de cocción, o los quemadores podrían salirse, creando una situación peligrosa.
2. Si se incumplen las homologaciones de gas la garantía quedará invalidada. La parrilla proporciona la ventilación necesaria para que la barbacoa funcione con seguridad.
3. La válvula de la bombona debe mirar a la derecha delante del carro una vez conectado el depósito. Si no se instala correctamente la bombona, la manguera de gas se puede dañar durante el funcionamiento, lo que supone riesgo de incendio.

PT Instalar Componentes de Cozinha.

Nota: As grelhas de cozinhar devem estar localizadas sobre os domadores de chamas.

As grelhas de cozinhar devem estar localizadas sobre os domadores de chamas.

ADVARSEL




1. Não cubra toda a superfície de cozedura com placas sólidas, pois isso irá resultar num mau desempenho de cozedura, ou os queimadores podem sair, criando uma situação perigosa.
2. Se violar a aprovação do gás e a sua garantia será anulada. O grelhador fornece a ventilação necessária para que a churrasqueira funcione em segurança.
3. A válvula da botija deve estar virada para a frente direita do carro desde que a botija esteja ligada. A não instalação correcta da botija pode danificar a mangueira em funcionamento, resultando no risco de incêndio.

DK Montering af grillkomponenter.

Bemærk: Grillristene skal placeres over flammedæmperne. Grillristene skal placeres over flammedæmperne.

ADVARSEL



1. Overdæk ikke hele grilloverfladen med faste plader, da dette vil resultere i et dårligt grillresultat, eller brænderne vil slukkes og derved skabe en farlig situation.
2. Du vil overtræde gasgodkendelsen og din garanti vil blive annulleret. Grillen giver den nødvendige udluftning, der er nødvendig for at grillen fungerer sikkert.
3. Gasflaskens lukkeventil skal vende mod vognens højre forside, når den er monteret. Hvis ikke gasflasken monteres korrekt kan det beskadige gasslangerne under brug, resulterende i en risiko for brand.

(NO) Monter grillkomponenter.

Merk: Grillristen må være over flammemetemmerne. Grillristen må være over flammemetemmerne.

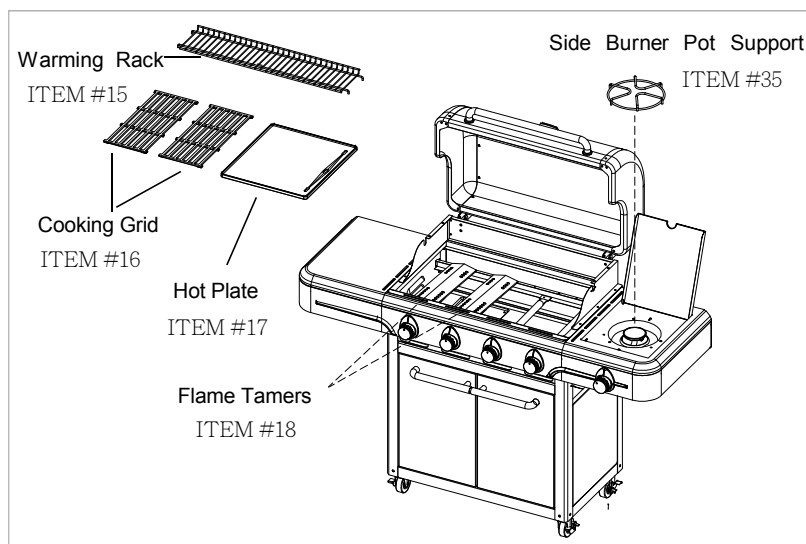
ADVARSEL



1. Ikke dekk hele grillflaten med solide plater. Dette vil resultere i dårlig grilltelse, eller brennerne kan slukke, og skape en farlig situasjon.

2. Du vil bryte gassgodkjenningen og garantien vil bli ugyldiggjort. Grillen gir ventilasjonen som kreves for at grillen skal fungere sikkert.

3. Sylinderventilen må være rettet mot forsiden av trallen når tanken er tom. Unnlatelse av å montere sylindere riktig kan føre til at gaslangen blir skadet under bruk. Dette kan i sin tur føre til brann.



WARNINGS INFORMATION

(GB) DO NOT OBSTRUCT THE VENTILATION OPENINGS IN THE TROLLEY.

(FR) NE PAS BOUCHER LES OUVERTURES DE VENTILATION DANS LE CHARIOT.

(DE) NICHT DIE VENTILATIONSÖFFNUNGEN IM WAGEN BLOCKIEREN.

(IT) NON OSTRUIRE LE APERTURE DI VENTILAZIONE DEL CARRELLO.

(SI) NE OVIRAJTE PREZRAČEVALNE ODPRTINE V VOZIČKU.

(NL) DE VENTILATIEOPENINGEN IN DE TROLLEY NIET BLOKKEREN.

(SE) BLOCKERA EJ VENTILATIONSHÅLEN I GRILLBAREN.

(FI) KÄRRYN TUULETUSAUKKOJA EI SAA PEITTÄÄ.

(ES) NO OBSTRUYA LAS ABERTURAS DE VENTILACION DEL CARRITO.

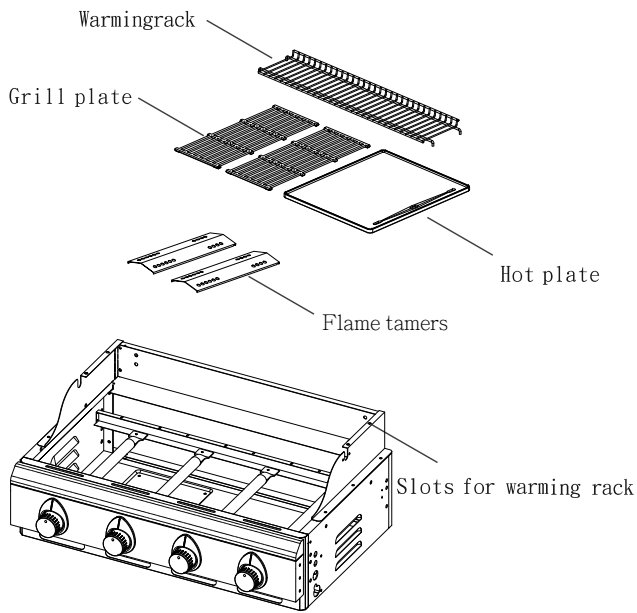
(PT) NÃO OBSTRUA AS ABERTURAS DE VENTILAÇÃO NO TROLEI.

(DK) VENTILATIONSÅBNINGEN I TROLLEYEN MÅ IKKE SPÆRRES.

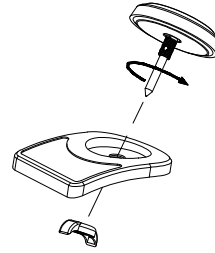
(NO) VENTILASJONSÅPNINGENE PÅ TRALLEN MÅ IKKE TILDEKKES.

(HR) NE BLOKIRAJTE OTVORE VENTILACIJE U KOLICIMA.

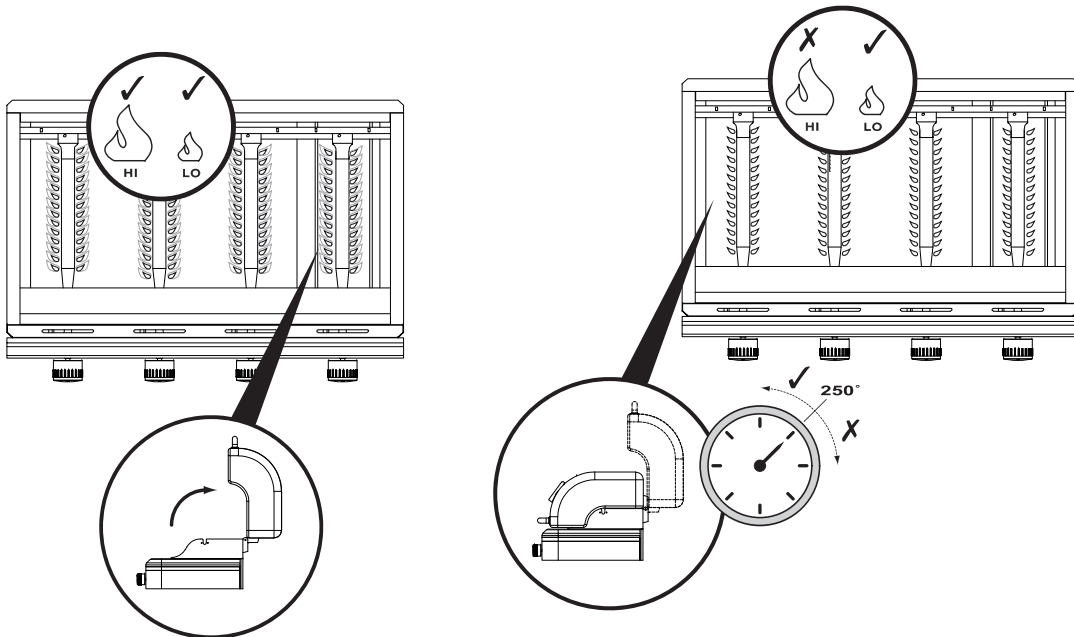
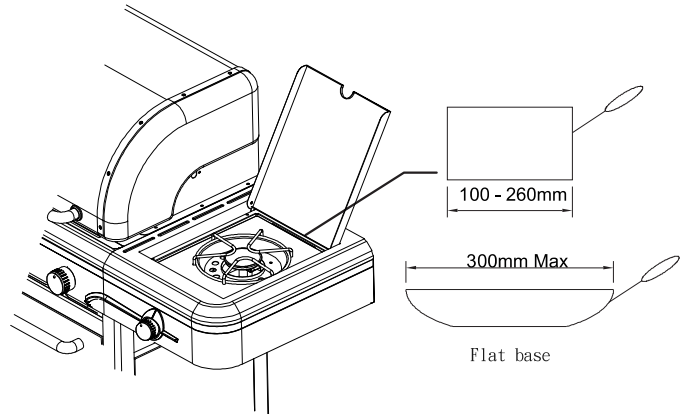
COOKING COMPONENT INSTALLATION



TEMPERATURE GAUGE



SIDE BURNER POTS



(GB) Pre-heating: Operated the BBQ with the hood closed with all burners on high for 10-15mins
 Cooking: Turn burners to the low setting. The burners can then be adjusted to the required cooking temperature, DO NOT exceed 250C.
 NOTE: Exceeding 250C for extended times may cause damage to the BBQ.

(FR) Cuisiner avec le capot fermé
 Préchauffage: Allumer le barbecue à puissance maximale, fermer le capot et laisser chauffer pendant 10-15 minutes Cuisson: Régler les brûleurs à la basse température ou à la température désirée, ne pas dépasser 250C.
 NOTE: Le dépassement de 250C pendant une durées prolongées peut endommager le barbecue.

(DU) KOCHEN mit geschlossener Haube
 Vorwärmen : Bei Betrieb mit der geschlossenen Haube den Grill mit allen Brennern für 10-15min auf höchste Stufe einstellen.
 Kochen : Schalten Sie die Brenner auf eine kleinere Einstellung. Die Brenner können dann auf die gewünschte Kochtemperatureingestellt werden. Die Temperatur darf dabei NICHT die 250°C überschreiten!
 HINWEIS: Das Überschreiten von 250°C für längere Zeit, kann zu Schäden am Grill führen!

- NL** NL: Koken met gesloten kap
 Voorverwarmen: Verwarm de grill voor door de branders 10 à 15 minuten op Hi te zetten.
 Koken: Draai de branders naar Lo. De branders kunnen aangepast worden naar de vereiste temperatuur. Overschrijd de 250° C niet.
 Opmerking: De grill kan beschadigen als er vaak over de 250° C gekookt wordt.
 TILBEREDNING MED LUKKET LÅG
 Opvarmning: Forvarm grillen med låget lukket og med alle brænderne indstillet på høj i 10-15 min.
- DK** Tilberedning: Drej brænderne til lav. Brænderne kan derefter indstilles til påkrævet tilberedningstemperatur. Temperaturen må ikke overskride 250 °C.
 VIGTIGT: Hvis temperaturen kontinuerligt overskrider 250 °C beskadiges grillen.
- EN** COOKING WITH THE HOOD CLOSED
 Pre-heating: Operated the BBQ with the hood closed with all burners on high for 10-15mins
 Cooking: Turn burners to the low setting. The burners can then be adjusted to the required cooking temperature, DO NOT exceed 250C.
 NOTE: Exceeding 250C for extended times may cause damage to the BBQ.
- ES** COCCIÓN CON LA TAPA CERRADA
 Precalentamiento: Ponga en marcha la barbacoa con la tapa cerrada y todos los quemadores encendidos al máximo durante 10-15 min.
 Cocción: ponga los quemadores al mínimo. Los quemadores pueden ajustarse a la temperatura de cocción que se desee. NO supere los 250 °C.
 NOTA: Si se superan los 250 °C durante mucho tiempo se podría dañar la barbacoa.
- SW** GRILLA MED LUCKAN STÅNGD
 Förvarmning: Kör grillen med luckan stängd med alla brännare inställda på hög i 10-15 minuter Grillning: Vrid brännarna till inställningen låg.
 Brännarna kan sedan justeras till önskad grilltemperatur. ÖVERSKRID INTE 250 °C.
 NOTERA: Om 250 °C överskrider under en längre tid kan grillen skadas.
- RT** COZINHAR COM A TAMPA FECHADA
 Pré-aquecimento: Opere o BBQ com a tampa fechada e com todos os queimadores no máximo durante 10 a 15 minutos.
 Cozinhado: Coloque os queimadores para o mínimo. Os queimadores poderão então ser ajustados para a temperatura de cozinha adequada, NÃO excedendo os 250 Graus.
 NOTA: Exceder os 250 Graus durante longos períodos de tempo poderá causar danos no BBQ.
- FI** KYPSENTÄMINEN KUPU SULJETTUNA
 Esilämmitys: Käytä grilliä kupu suljettuna ja kaikki polttimet enimmäisasennoissaan 10–15 minuutin ajan.
 Kypsentaaminen: Käännä polttimet matalaan asentoon. Tämän jälkeen polttimilla voidaan säätää haluttu kypsennyslämpötilä. ÄLÄ YLITÄ 250 °C.
 HUOMAA: Jos lämpötila ylittää 250 °C pitkään, seurauksena voi olla grillin vaurioituminen.
- IT** COTTURA CON IL COPERCHIO CHIUSO
 Pre-riscaldamento: Barbecue con il coperchio chiuso con tutti i bruciatori sul livello alto per 10-15min
 Cottura: Posizionare i bruciatori sul livello basso. I bruciatori possono essere regolati per la temperatura di cottura desiderata, NON superare i 250 °C.
 NOTA: Il superamento dei 250 °C per un tempo prolungato può causare danni al barbecue.
- NOR** TILBEREDNING MED LUKKET GRILLTREKK
 Forvarming: Bruk grillen med grilltrekken lukket og alle brennerne på høy intensitet i 10-15 minutter
 Tilberedning: Sett brennerne til en lav innstilling. Brennerne kan justeres til ønsket steketemperatur. Overskrid IKKE 250 °C.
 MERK: Hvis du overskrider 250 °C over lengre tid, kan dette føre til skade på grillen.

Grand Hall Europe B.V.

Tolstraat 17a

7482 DC Haaksbergen

The Netherlands

www.grandhall.eu

(IE) (GB) NOTE: This information is a guide only. Items included in your BBQ specification may differ depending on region or specific dealer specification.

(CH) (FR) NOTE: Ces renseignements sont donnés à titre indicatif. Il est possible que les articles inclus dans les spécifications de votre barbecue diffèrent selon la région ou les caractéristiques stipulées par le concessionnaire.

(AT) (CH) (DE) ANMERKUNG: Diese Anleitung dient nur zu Informationszwecken. Einzelteile der Grillspezifikation sind unter Umständen verschieden entsprechend der Vertriebsregion oder bestimmten Händleranforderungen.

(CH) (IT) AVVERTENZA: Queste informazioni hanno il valore di guida soltanto. Gli articoli compresi nelle caratteristiche tecniche del barbecue potrebbero variare a seconda della regione o del concessionario.

(BE) (NL) ATTENTIE: Deze informatie is alleen bedoeld als gids. Onderdelen in uw BBQ specificatie kunnen per regio of per dealer verschillen.

(SE) ANM.: Denna information är endast avsedd som handledning. Specifikationerna för grillen kan variera regionalt eller beroende på de krav som olika återförsäljare har.

(FI) HUOMATKAA: Nämä tiedot ovat pelkästään suuntaa antavia. Ostamanne grillin yksityiskohdat voivat olla erilaiset paikkakunnan tai erityisten myyjäkohtaisten yksityiskohtien mukaan.

(ES) NOTA: Esta información es una guía únicamente. Es posible que las indicaciones incluidas en las especificaciones de su Asador sean diferentes según la región o las especificaciones específicas del representante.

(PT) NOTA: Esta informação é simplesmente um guia. Os itens incluídos na especificação do seu BBQ poderão diferir dependendo da especificação da região ou do vendedor específico.

(DK) NB: Denne information er kun vejledende. Specifikationer kan variere efter ønske fra forhandler, eller i henhold til nationale regler.

(NO) NB: Denne informasjon er kun veiledende. Spesifikasjoner kan variere som stipulert av forhandler, eller i henhold til nasjonale krav.

(HR) UPOZORENJE: Ova uputa služi samo u informativne svrhe. Pojedini dijelovi specifikacije roštilja su različiti od onih koji su propisani Vašim mjestom boravka ili koje su propisali razni distributeri i ovlaštenici za plinske roštilje.

(SI) OPOZORILO: Ta navodila so samo informativne narave. Posamezni deli iz specifikacije žara so lahko različni od tistih, kateri so predpisani v vaši regiji ali katere so predpisali distributerji in pooblašeni zastopniki za plinske žare.

All specifications are subject to change without notice.

Toutes les caractéristiques sont susceptibles d'être modifiées sans préavis.

Änderungen ohne vorherige Bekanntgabe vorbehalten.

Tutti i dati tecnici possono cambiare senza preavviso.

Alle specificaties kunnen zonder voorafgaande kennisgeving worden gewijzigd.

Kaikki oikeudet teknisten tietojen muutoksiin pidätetään.

Kaikki yksityiskohdat voivat muuttua ilman, että niistä erikseen ilmoitetaan.

Todas las especificaciones están sujetas a cambios sin previo aviso.

Todas as especificações estão sujeitas a alteração sem aviso.

Moguće su promjene bez prethodnih najava.

Možne so spremembe brez prehodnih najav.

Manufactured by

Zhuhai Prokan Relaxation Equipment Co., Ltd.

Jinfa Industrial Area Of Jinding Town, Zhuai, Guangdong, China